

**Qty. Description**

1 COMFORT 15-14 B T



**Note! Product picture may differ from actual product**

Product No.: On request

COMFORT T is an efficient circulator designed for hot-water recirculation in residential buildings with a dedicated return line. It is compatible with all types of water heater tanks, tankless systems, solar or heat pumps regardless of whether the system has mixing or tampering valves installed.

The pump features a compact housing and a permanent magnet with an integrated control unit.

The spherical rotor, equipped with an impeller, ensures optimal functionality supported by a robust single-bearing ball system.

The drinking-water approved brass pump housing guarantees both safety and reliability.

COMFORT T moreover features a built-in temperature sensor to maintain water temperature.

COMFORT T features the temperature control mode that automatically activates the pump when the internal temperature sensor detects that the water temperature drops below a certain level.

The control mode automatically adjusts the on/off temperature based on the maximum temperature measured in the system.

The maximum temperature of the system is measured every 12 hours for 15 minutes, enabling dynamic adjustment of the on/off temperature.

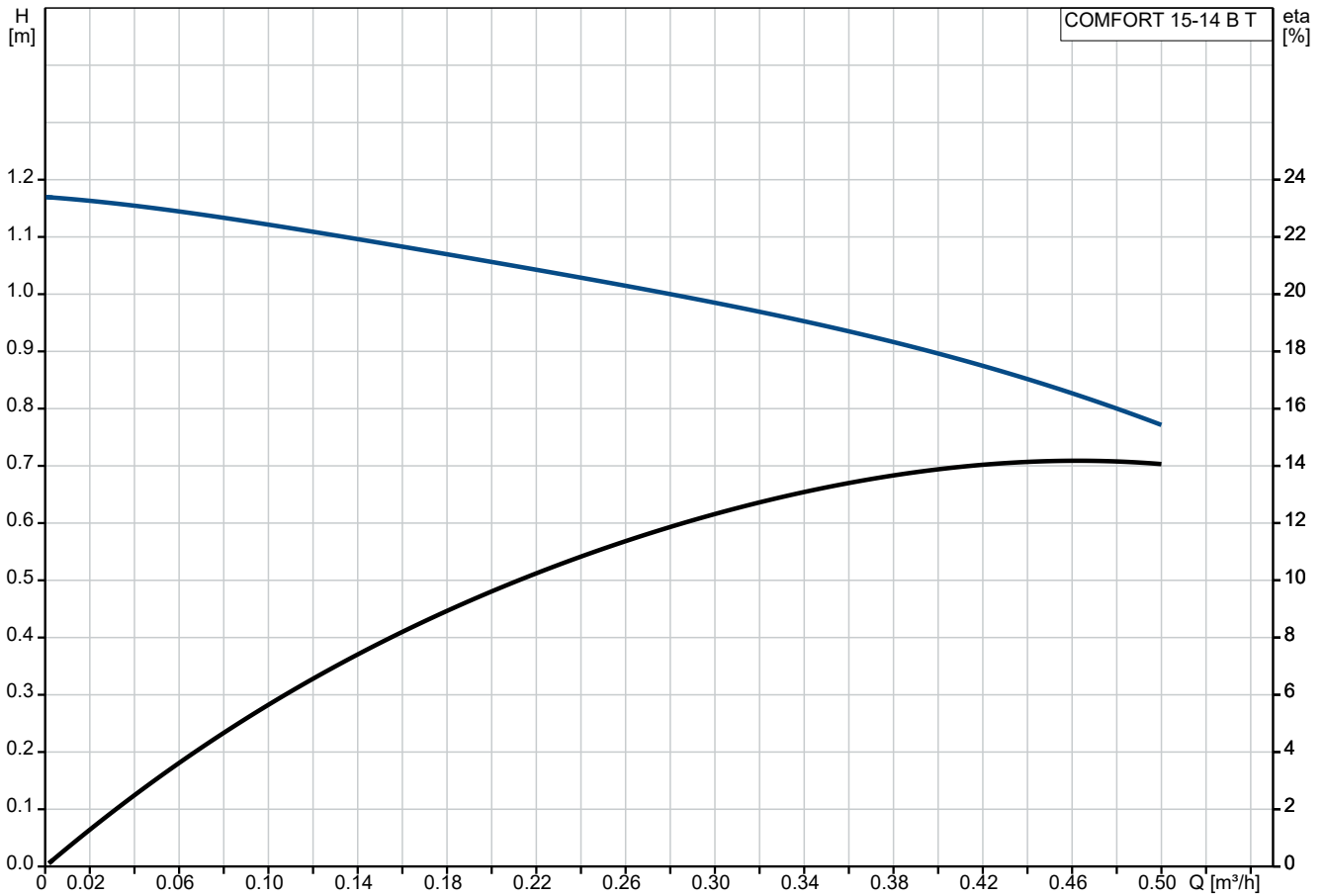
The product offers:

- Q-H performance that is designed for single—and multi-family homes, depending on the required duty point to accommodate heat loss in a specific pipe layout.
- Heat loss reduction by 25 % compared to continuously running pump.
- Low power consumption and silent operation.
- Compliance with pipe manufacturers' flow velocity limits, including DN 15, DN 20 PEX, copper, and others.
- Drinking-water approval, ensured by the brass pump housing, stainless-steel rotor, and composite impeller.
- A design that makes it easy to clean limescale and foreign deposits by removing the pump head, enabling the product to meet unlimited water hardness requirements.
- Dry-running protection to prevent failure if the system runs out of water.
- Multiple installation positions, even with the pump head pointing downwards.
- A pump head designed to fit brass pump housings of old and new pumps of the same design, even from different pump manufacturers (such as WILO, VORTEX, LOWARA, DAB and others).

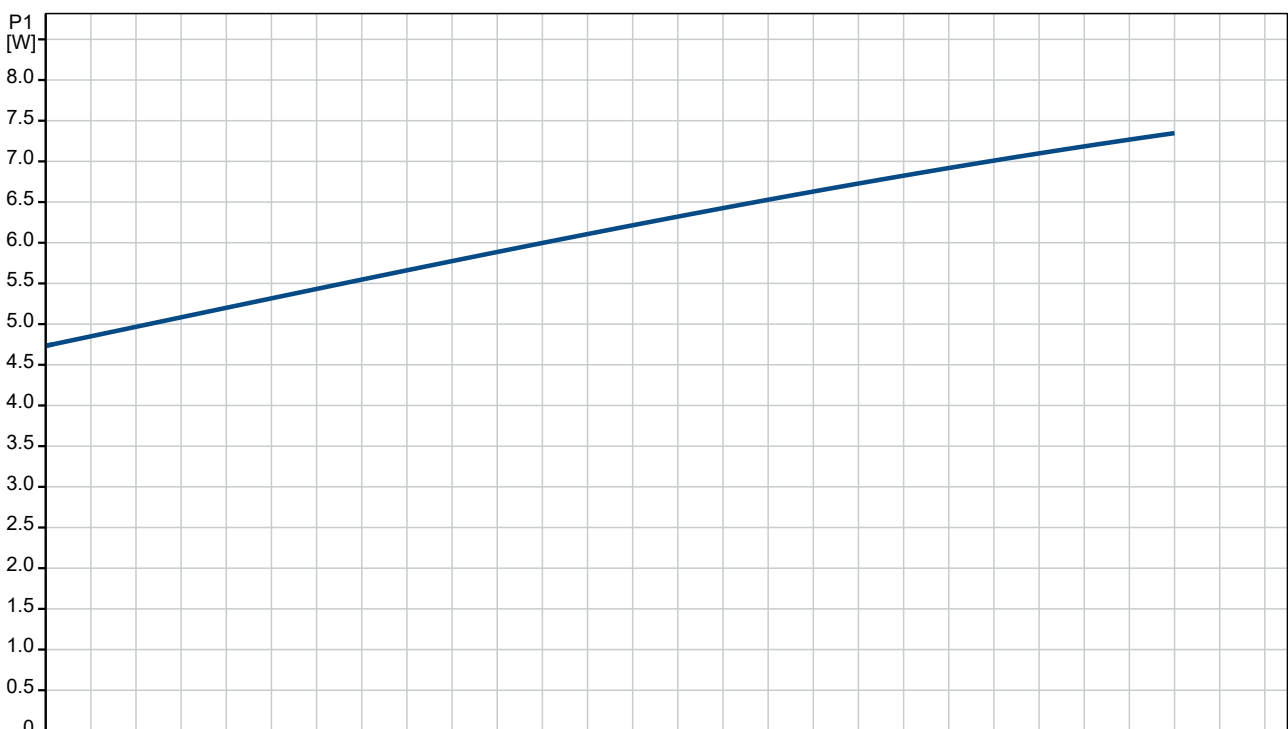
The design enables easy installation and removes the need to replace the pump housing and drain the system.

- Easy electrical installation, which is ensured by a detachable COMFORT plug and a double insulation protection design, which eliminates the need for a ground wire.
- Insulating shell included for reduced heat loss.
- Non-return and shut-off valves included in X variant, reducing installation cost.
- An optional venting flange, providing a simple way to vent or drain the system without the need for permanently installing an additional venting valve.
- Optional fittings for pipe connections in different sizes and types.
- Optional non return and shut-off valves are available.

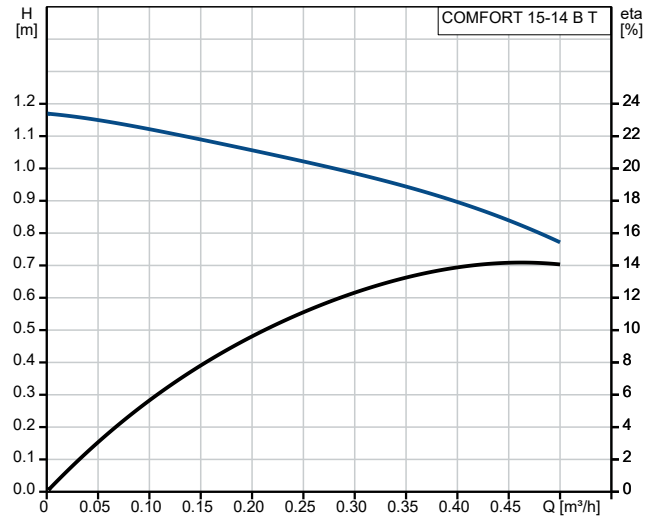
## On request COMFORT 15-14 B T



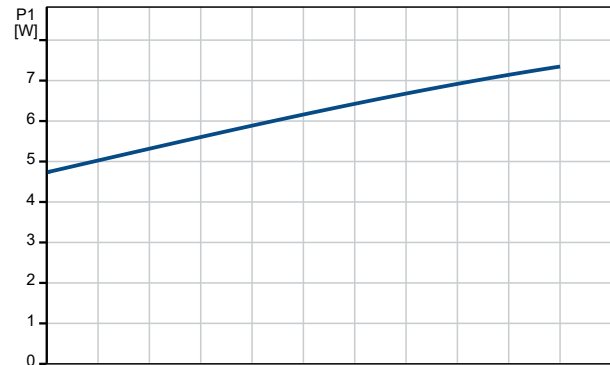
Pumped liquid = Water  
 Liquid temperature during operation = 60 °C  
 Density = 983.2 kg/m³



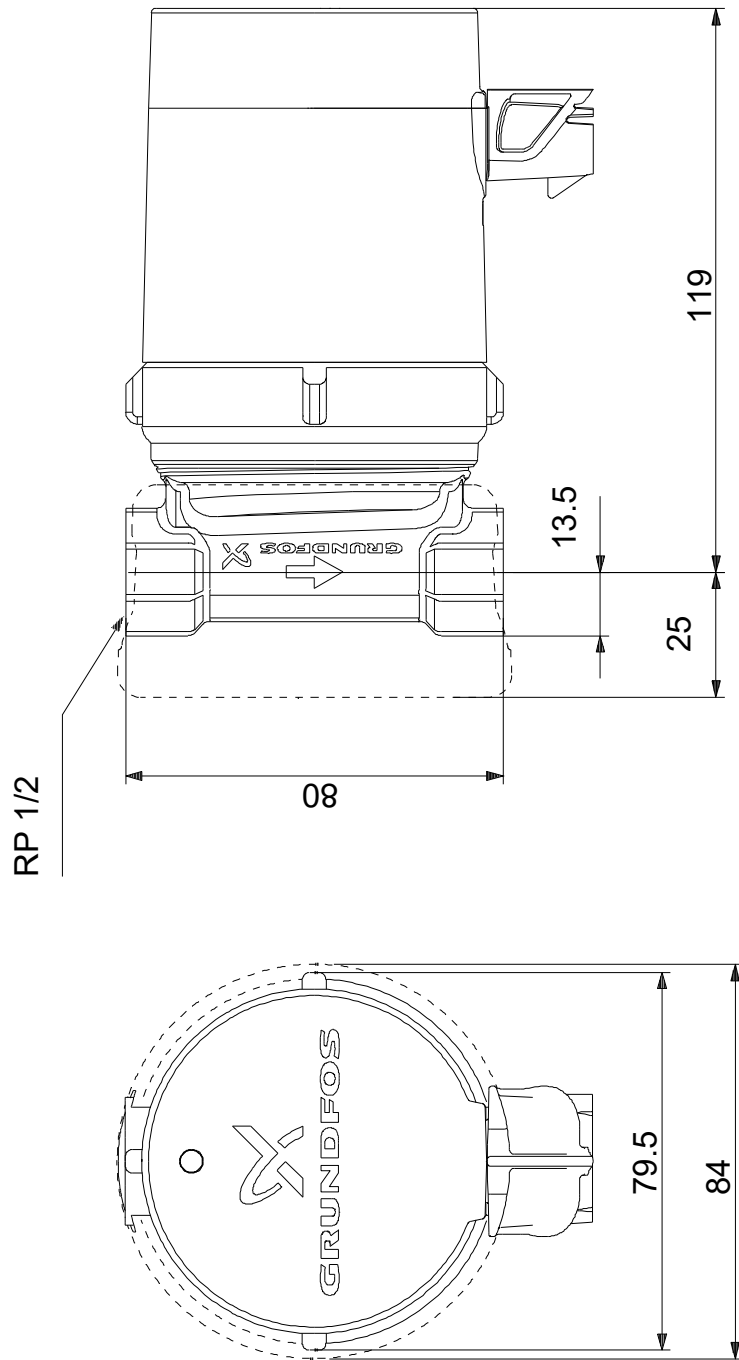
Description	Value
<b>General information:</b>	
Product name:	COMFORT 15-14 B T
Product No:	On request
EAN number:	On request
<b>Technical:</b>	
Speed no:	1
Rated flow:	0.45 m <sup>3</sup> /h
Rated head:	0.9 m
Maximum head:	14 dm
TF class:	95
Approvals:	CE,WEEE,RCM,UKCA
<b>Materials:</b>	
Pump housing:	Brass
Pump housing:	CuZn39Pb3, MS58
Impeller:	Composite
Impeller:	PPO-GF20/Stainless steel
<b>Installation:</b>	
Minimum ambient temperature:	0 °C
Maximum operating pressure:	10 bar
Type of connection:	Rp
Size of connection:	1/2 inch
Pressure rating for connection:	PN 10
Port-to-port length:	80 mm
<b>Liquid:</b>	
Pumped liquid:	Water
Liquid temperature range:	2 .. 95 °C
Selected liquid temperature:	60 °C
Density:	983.2 kg/m <sup>3</sup>
<b>Electrical data:</b>	
Max. power input:	7 W
Mains frequency:	50 / 60 Hz
Rated voltage:	1 x 230 V
Current in speed 3:	0.07 A
Enclosure class (IEC 34-5):	IP44
Insulation class (IEC 85):	F
Built-in motor protection:	ELECT.
Thermal protec:	IMP.
<b>Controls:</b>	
Operation mode include:	Temperature
<b>Others:</b>	
Net weight:	0.98 kg
Gross weight:	1.08 kg
Shipping volume:	0.003 m <sup>3</sup>
Country of origin:	DE
Custom tariff no.:	84137030



Pumped liquid = Water  
 Liquid temperature during operation = 60 °C  
 Density = 983.2 kg/m<sup>3</sup>



## On request COMFORT 15-14 B T



Note! All units are in [mm] unless others are stated.  
Disclaimer: This simplified dimensional drawing does not show all details.

**On request COMFORT 15-14 B T**



Note! All units are in [mm] unless others are stated.

