

Qty. Description

1 COMFORT 15-14 B TA



Note! Product picture may differ from actual product

Product No.: On request

COMFORT TA is an efficient circulator designed for hot-water recirculation in residential buildings with a dedicated return line. It is compatible with all types of water heater tanks, tankless systems, solar or heat pumps regardless of whether the system has mixing or tampering valves installed.

The pump features a compact housing and a permanent magnet with an integrated control unit.

The spherical rotor, equipped with an impeller, ensures optimal functionality supported by a robust single-bearing ball system.

The drinking-water approved brass pump housing guarantees both safety and reliability.

COMFORT TA moreover features a built-in temperature sensor to maintain water temperature.

The user-friendly interface features LEDs and push-buttons on the operating panel. This offers an intuitive way to display and set operating times and control modes and ensures a comfortable and energy-efficient experience for residential use.

COMFORT TA features three control modes: AUTOADAPT, temperature and continuous 24/7.

AUTOADAPT control mode

With the AUTOADAPT control mode, the pump quickly learns usage patterns throughout the day and ensures hot water is available only when needed via an external sensor on the supply pipe.

The pump can therefore differentiate between mornings, evenings, weekdays, weekends, and periods of inactivity, such as vacations, saving energy and water by allowing the pump only to operate when required.

After 24 hours of detecting no hot water usage, the pump automatically enters vacation mode and resumes operation when demand for hot water arises.

During the first two weeks after installation, the pump frequently starts based on temperature control to ensure immediate comfort until the usage pattern has been learned. The pump provides, regardless of usage pattern, instant comfort when it detects demand for hot water.

Once a week, the pump runs a 15-minute disinfection (anti-legionella) cycle. The water heater must enable that function once a week.

Temperature control mode

The temperature control mode incorporates both the external and internal sensors for more accurate water temperature measurement and activates the pump when the water temperature drops below a certain level.

The on/off temperatures are automatically adjusted based on the maximum temperature measured in the system.

The maximum temperature of the system is measured constantly, allowing dynamic adjustment of the on/off temperatures.

This mode also includes automatic vacation mode for enhanced energy efficiency which makes it ideal for vacation homes.

Continuous 24/7 control mode

Pump operates continuously 24 hours a day.

The product offers:

- Q-H performance that is designed for single—and multi-family homes, depending on the required duty point to accommodate heat loss in a specific pipe layout.
- Heat loss reduction by 67 % compared to continuously running pump.



Company name:

Created by:

Phone:

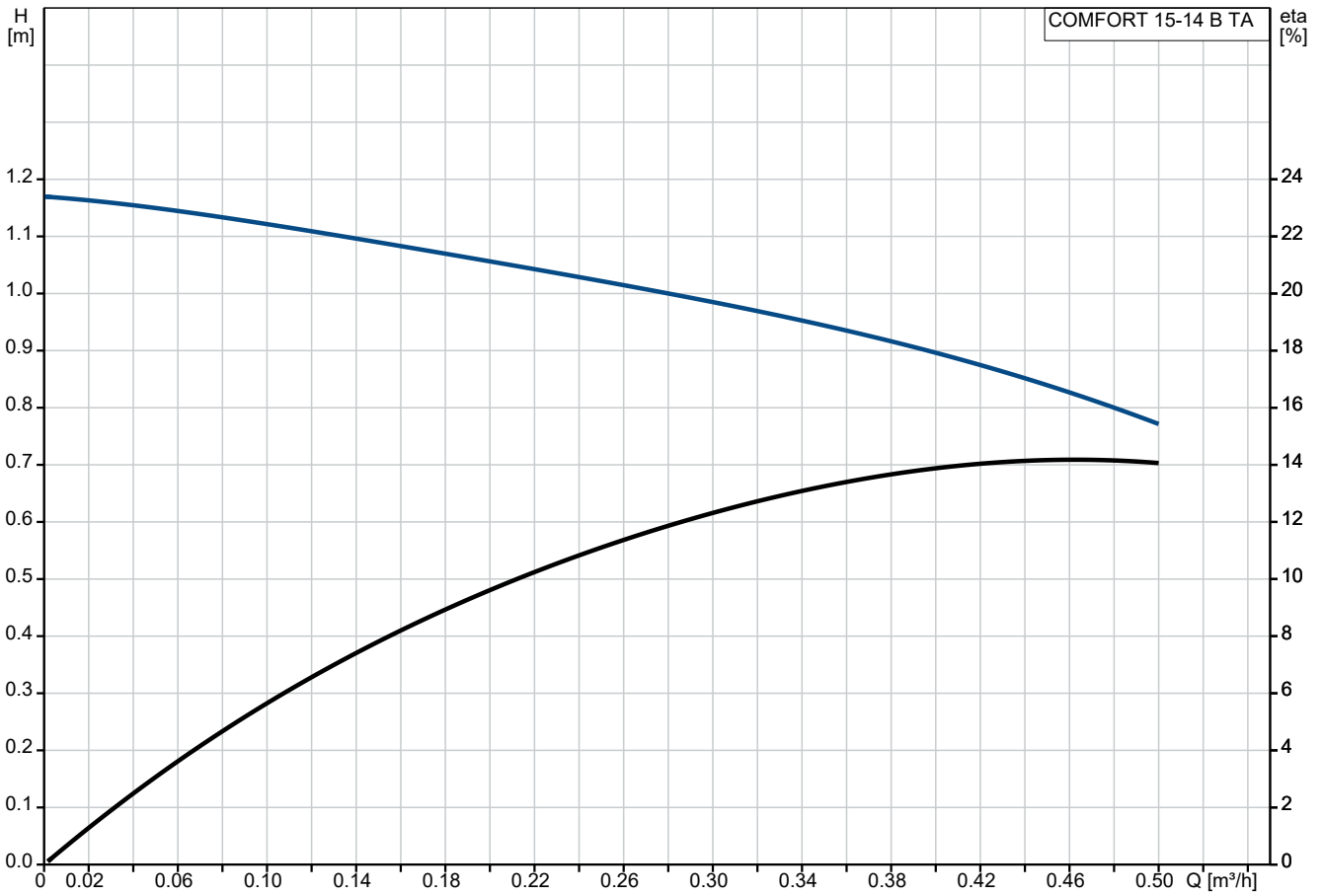
Date:

03/09/2024

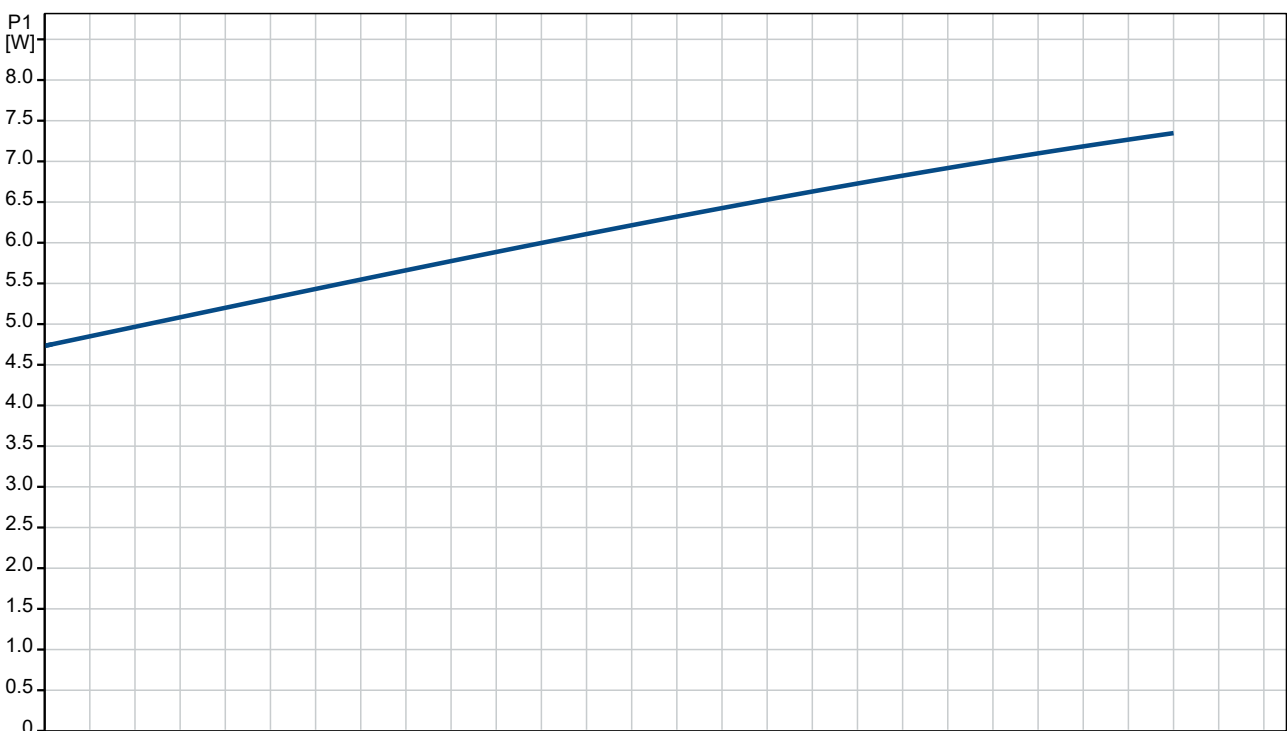
Qty.	Description
------	-------------

1	<ul style="list-style-type: none">• Low power consumption and silent operation.• Compliance with pipe manufacturers' flow velocity limits, including DN 15, DN 20 PEX, copper, and others.• Drinking-water approval, ensured by the brass pump housing, stainless-steel rotor, and composite impeller.• A design that makes it easy to clean limescale and foreign deposits by removing the pump head, enabling the product to meet unlimited water hardness requirements.• Dry-running protection to prevent failure if the system runs out of water.• Multiple installation positions, even with the pump head pointing downwards.• A pump head designed to fit brass pump housings of old and new pumps of the same design, even from different pump manufacturers (such as WILO, VORTEX, LOWARA, DAB and others). <p>The design enables easy installation and removes the need to replace the pump housing and drain the system.</p> <ul style="list-style-type: none">• Easy electrical installation, which is ensured by a detachable COMFORT plug and a double insulation protection design, which eliminates the need for a ground wire.• Insulating shell included for reduced heat loss.• Non-return and shut-off valves included in X variant, reducing installation cost.• An optional venting flange, providing a simple way to vent or drain the system without the need for permanently installing an additional venting valve.• Optional fittings for pipe connections in different sizes and types.• Optional non return and shut-off valves are available.
---	---

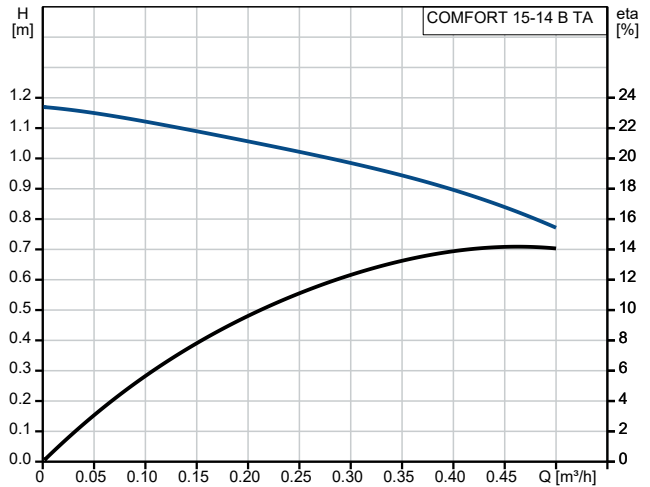
On request COMFORT 15-14 B TA



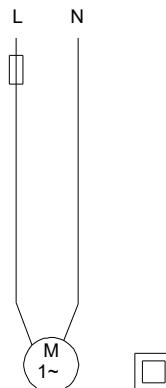
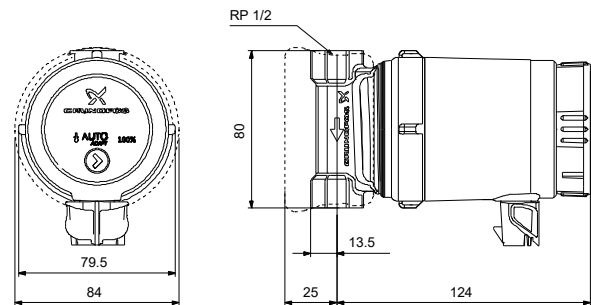
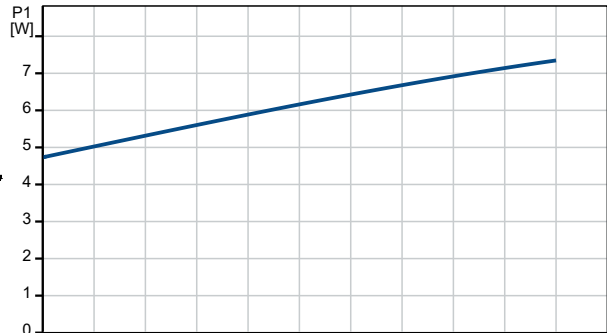
Pumped liquid = Water
 Liquid temperature during operation = 60 °C
 Density = 983.2 kg/m³



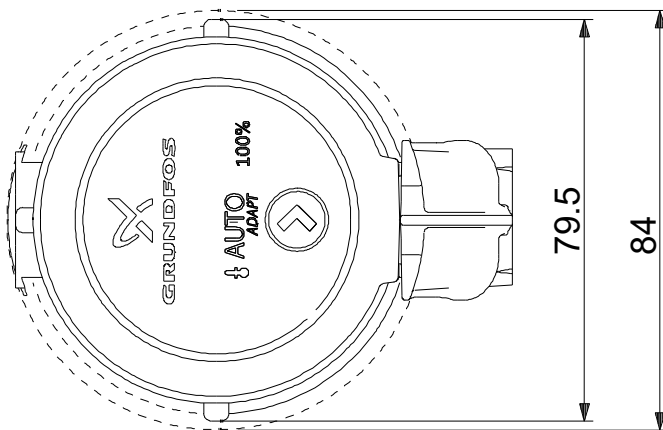
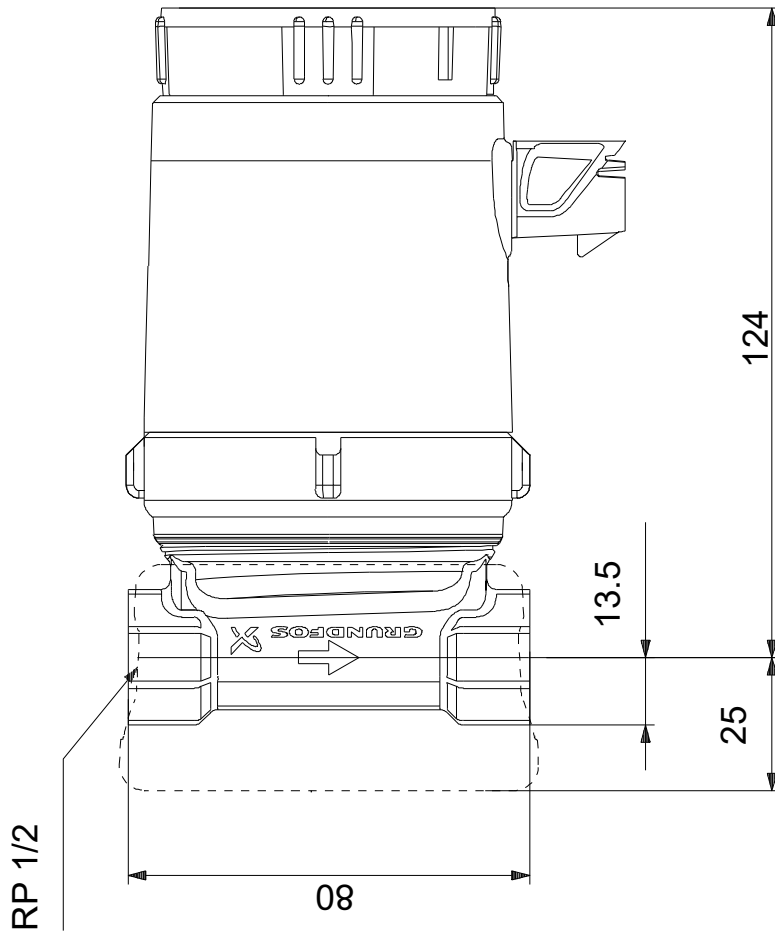
Description	Value
General information:	
Product name:	COMFORT 15-14 B TA
Product No:	On request
EAN number:	On request
Technical:	
Speed no:	1
Rated flow:	0.45 m³/h
Rated head:	0.9 m
Maximum head:	14 dm
TF class:	95
Approvals:	CE,WEEE,RCM,UKCA
Materials:	
Pump housing:	Brass
Pump housing:	CuZn39Pb3, MS58
Impeller:	Composite
Impeller:	PPO-GF20/Stainless steel
Installation:	
Minimum ambient temperature:	0 °C
Maximum operating pressure:	10 bar
Type of connection:	Rp
Size of connection:	1/2 inch
Pressure rating for connection:	PN 10
Port-to-port length:	80 mm
Liquid:	
Pumped liquid:	Water
Liquid temperature range:	2 .. 95 °C
Selected liquid temperature:	60 °C
Density:	983.2 kg/m³
Electrical data:	
Max. power input:	7 W
Mains frequency:	50 / 60 Hz
Rated voltage:	1 x 230 V
Current in speed 3:	0.07 A
Enclosure class (IEC 34-5):	IP44
Insulation class (IEC 85):	F
Built-in motor protection:	ELECT.
Thermal protec:	IMP.
Controls:	
Operation mode include:	Temperature
Others:	
Net weight:	0.9 kg
Gross weight:	1 kg
Shipping volume:	0.003 m³
Sales region:	Great Britain
Country of origin:	DE
Custom tariff no.:	84137030



Pumped liquid = Water
 Liquid temperature during operation = 60 °C
 Density = 983.2 kg/m³



On request COMFORT 15-14 B TA



Note! All units are in [mm] unless others are stated.
Disclaimer: This simplified dimensional drawing does not show all details.

On request COMFORT 15-14 B TA



Note! All units are in [mm] unless others are stated.



Company name:

Created by:

Phone:

Date:

03/09/2024

Order Data:

Position	Your pos.	Product name	Amount	Product No	Total
		COMFORT 15-14 B TA	1	On request	