

SA-CSIR, SA-CSCR

Control box

Installation and operating instructions



be
think
innovate

GRUNDFOS 

English (GB) Installation and operating instructions

Original installation and operating instructions

These installation and operating instructions describe the SA-CSIR, SA-CSCR control box.

Sections 1-3 give the information necessary to be able to unpack, install and start up the product in a safe way.

Sections 4-8 give important information about the product, as well as information on service, fault finding and disposal of the product.

CONTENTS

	Page
1. General information	3
1.1 Target group	3
1.2 Symbols used in this document	3
2. Receiving the product	4
3. Installing the product	4
3.1 Location	5
3.2 Mechanical installation	5
3.3 Electrical connection	5
4. Product introduction	10
4.1 Approvals and marks	10
5. Servicing the product	10
6. Fault finding the product	11
7. Technical data	13
8. Disposing of the product	13



Prior to installation, read this document. Installation and operation must comply with local regulations and accepted codes of good practice.

1. General information

1.1 Target group



This appliance can be used by children aged from 8 years and above and persons with reduced physical, sensory or mental capabilities or lack of experience and knowledge if they have been given supervision or instruction concerning use of the appliance in a safe way and understand the hazards involved.

Children shall not play with the appliance. Cleaning and user maintenance shall not be made by children without supervision.

1.2 Symbols used in this document

1.2.1 Warnings against hazards involving risk of death or personal injury



DANGER

Indicates a hazardous situation which, if not avoided, will result in death or serious personal injury.



WARNING

Indicates a hazardous situation which, if not avoided, could result in death or serious personal injury.



CAUTION

Indicates a hazardous situation which, if not avoided, could result in minor or moderate personal injury.

The text accompanying the three hazard symbols DANGER, WARNING and CAUTION is structured in the following way:

SIGNAL WORD



Description of hazard

Consequence of ignoring the warning.

- Action to avoid the hazard.

1.2.2 Other important notes



A blue or grey circle with a white graphical symbol indicates that an action must be taken.



A red or grey circle with a diagonal bar, possibly with a black graphical symbol, indicates that an action must not be taken or must be stopped.



If these instructions are not observed, it may result in malfunction or damage to the equipment.



Tips and advice that make the work easier.

2. Receiving the product

Inspect the product for visible damage. In case you find damage to the product, do not install it, but contact Grundfos service or sales for advice.

3. Installing the product

DANGER

Electric shock



Death or serious personal injury

- Before starting any work on the product, make sure that the power supply has been switched off and that it cannot be accidentally switched on.



The SA-CSIR, SA-CSCR Grundfos submersible pump control box is intended for use with Grundfos single-phase, 3-wire submersible motors as a starting device only.

3.1 Location

The product can be installed indoors and outdoors under a cover.

3.2 Mechanical installation

3.2.1 Mounting

Mount the control box in vertical position with the top side up.

If you mount it in any other position, the starting relay may not function properly, and the overload relay may trip.

The starting relay is mounted inside the control box and if it is not possible to mount the control box in vertical position, make sure to position the starting relay correctly according to the arrow on the component.

Fasten the control box securely to the mounting surface through the mounting holes provided.

3.3 Electrical connection

3.3.1 Wiring

Connect the control box to the mains supply and the motor as shown in the wiring diagrams below. See also section [3.3.3 Earthing](#) on page 9.

Use 2.5 mm² (AWG 14, 70 °C) copper conductors only and tighten all connections to 2 Nm.



Do not operate the pump without the control box. Otherwise, the motor will burn out.

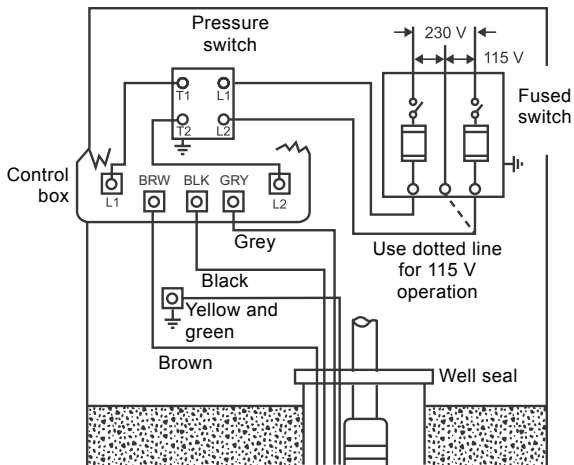
The control box is for submersible pumps only.

Make sure that the submersible pump, the submersible motor and control box are designed for the same voltage.

Connect a properly sized motor and electrical wires as per fig. 1 on page 6.

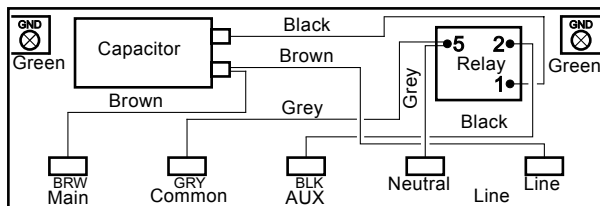
Before making the final connection of the submersible drop cable to the control box, check the insulation resistance.

3.3.2 Wiring diagrams



TM06 5330 4615

Fig. 1 Overview of single-phase connection for Grundfos 3-wire control boxes



TM06 5331 4615

Fig. 2 Connection of 0.37 - 0.75 kW SA-CSIR models

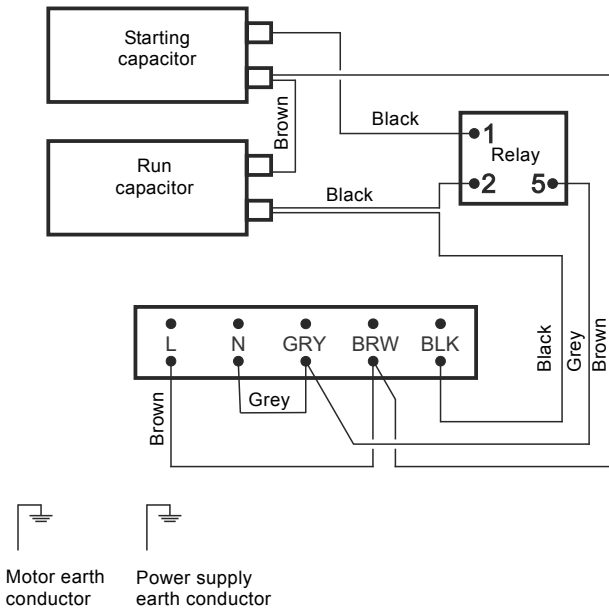
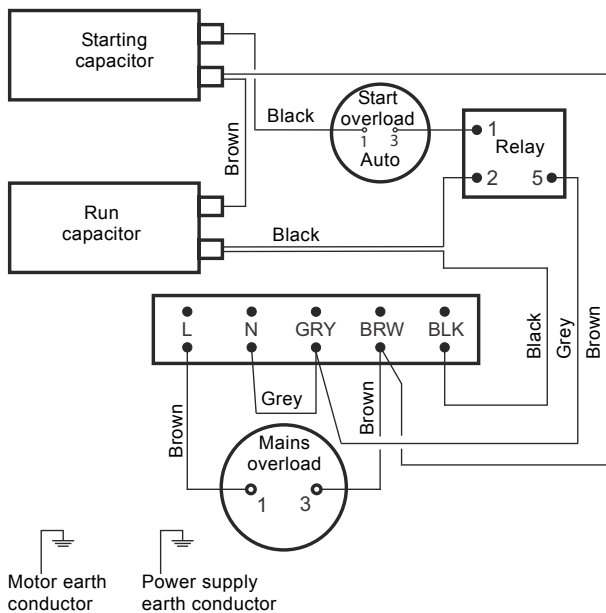


Fig. 3 Connection of 1.1 kW SA-CSCR models

TM06 5332 4615



TM06 5333 4615

Fig. 4 Connection of 1.5 and 2.2 kW SA-CSCR models

3.3.3 Earthing

DANGER

Electric shock

Death or serious personal injury



- Switch off the power supply on the mains switch, not in the control box, before working on or around control box, pipes, cables, pump or motor.
- Install an earth conductor of at least the same size as the submersible drop cable. Run the earth conductor as short a distance as possible and fasten it securely to a true earth connection, such as the submersible motor.
- Wear rubber gloves and boots and take care to connect metal control boxes and motors to the power supply earth connection or a steel pipe or casing extending into the well.

3.3.4 General recommendations

To prevent serious or fatal electric shock, proceed as follows:

- Connect the control box, all metal pipes, and the motor frame to the power supply earth terminal using a copper wire.
- Comply with local electrical regulations. The earth conductor must at least be the same size as the power supply wires.
- Permanently insulate all unused wire ends in the control box and other equipment.

3.3.5 Protection



When installing the motor and the control box, include circuit and component protection.



Only use the pump for pumping fresh groundwater. Do not use the pump in swimming pools or marine areas.

Overload protection

Tripping of the overload relay may be caused by short-circuited capacitor, voltage supply problems, overloaded or locked pump or that the starting relay needs to be replaced.

Reset the overload relay and make analysis to establish the tripping cause. Remedy the cause of tripping and reset overload relay again.



Do not remove or leave out the overload protection as this may lead to motor burnout.

4. Product introduction

SA CSIR, capacitor start induction run, and SA CSCR, capacitor start capacitor run, are Grundfos control boxes for controlling Grundfos single-phase, 3-wire submersible motors.

4.1 Approvals and marks

The control boxes have the following approvals, and the marks of approval appear from the label on the front cover.



5. Servicing the product

Service must be performed by a qualified service engineer who is familiar with local regulations.

6. Fault finding the product

DANGER



Electric shock

Death or serious personal injury

- Before starting any work on the product, make sure that the power supply has been switched off and that it cannot be accidentally switched on.

Fault	Cause	Remedy
The product is not running.	The overload relay has tripped.	<p>Follow steps 1 to 5 below and restart the pump. Contact Grundfos service if the problem persists.</p> <ol style="list-style-type: none"> 1. Overload relay, if equipped, 1.5 kW and up: <ul style="list-style-type: none"> Push the reset button to make sure the contacts are closed. – Ohmmeter setting: (Rx1). – Terminal connections: ohmmeter leads to overloaded terminals. – Ohmmeter reading: must not be over 0.5 ohms. 2. Capacitor: <ul style="list-style-type: none"> Disconnect one lead from each capacitor prior to checking. – Ohmmeter setting: (Rx1000). – Terminal connections: individual capacitor terminals. – Ohmmeter reading: pointer must swing toward zero then drift back toward infinity.

Fault	Cause	Remedy
		<p>3. Relay coil: Disconnect the lead from terminal 5.</p> <ul style="list-style-type: none">– Ohmmeter setting: (Rx1000).– Terminal connections: "5" and "2" on relay.– Ohmmeter reading: 8,560-11,235 ohms, measured at 25 °C.
		<p>4. Relay contact: Disconnect the lead from terminal 1.</p> <ul style="list-style-type: none">– Ohmmeter setting: (Rx1).– Terminal connections: "1" and "2" on relay.– Ohmmeter reading: must be zero.
		<p>5. Magnetic contactor only, if equipped, and DLX box only: Disconnect 1 coil lead.</p> <ul style="list-style-type: none">– Ohmmeter setting: (Rx1000).– Check coil resistance: 1000-1400 ohm.– Remove contact cover and inspect contacts.

7. Technical data

SA-CSIR, 0.37 - 0.75 kW

Motor [kW]	Voltage [V]	Width [mm]	Depth [mm]	Height [mm]
0.37	200-240	124	70	213
0.55	200-240	124	70	213
0.75	200-240	124	70	213

SA-CSCR, 1.1 - 2.2 kW

Motor [kW]	Voltage [V]	Width [mm]	Depth [mm]	Height [mm]
1.1	200-240	210	149	250
1.5	200-240	210	149	250
2.2	200-240	210	149	250

8. Disposing of the product

This product or parts of it must be disposed of in an environmentally sound way:

1. Use the public or private waste collection service.
2. If this is not possible, contact the nearest Grundfos company or service workshop.

Subject to alterations.

Argentina

Bombas GRUNDFOS de Argentina S.A.
 Phone: +54-3327 414 444
 Telefax: +54-3327 411 111

Australia

GRUNDFOS Pumps Pty. Ltd.
 Phone: +61-8-8461-4611
 Telefax: +61-8-8340 0155

Austria

GRUNDFOS Pumpen Vertrieb Ges.m.b.H.
 Tel.: +43-6246-883-0
 Telefax: +43-6246-883-30

Belgium

N.V. GRUNDFOS Bellux S.A.
 Tél.: +32-3-870 7300
 Télécopie: +32-3-870 7301

Belarus

Представительство ГРУНДФОС в Минске
 Тел.: +7 (375 17) 286 39 72, 286 39 73
 Факс: +7 (375-17) 286 39 71

Bosnia and Herzegovina

GRUNDFOS Sarajevo
 Phone: +387 33 592 480
 Telefax: +387 33 590 465
 www.ba.grundfos.com
 email: grundfos@bih.net.ba

Brazil

BOMBAS GRUNDFOS DO BRASIL
 Phone: +55-11 4393 5533
 Telefax: +55-11 4343 5015

Bulgaria

Grundfos Bulgaria EOOD
 Tel. +359 2 49 22 200
 Fax. +359 2 49 22 201

Canada

GRUNDFOS Canada Inc.
 Phone: +1-905 829 9533
 Telefax: +1-905 829 9512

China

GRUNDFOS Pumps (Shanghai) Co. Ltd.
 Phone: +86-021-612 252 22
 Telefax: +86-021-612 253 33

COLOMBIA

GRUNDFOS Colombia S.A.S.
 Phone: +57(1)-2913444
 Telefax: +57(1)-8764586

Croatia

GRUNDFOS CROATIA d.o.o.
 Phone: +385 1 6595 400
 Telefax: +385 1 6595 499

GRUNDFOS Sales

Czechia and Slovakia s.r.o.
 Phone: +420-585-716 111

Denmark

GRUNDFOS DK A/S
 Tlf.: +45-87 50 50 50
 E-mail:
 info_GDK@grundfos.com
 www.grundfos.com/DK

Estonia

GRUNDFOS Pumps Eesti OÜ
 Tel: + 372 606 1690
 Fax: + 372 606 1691

Finland

OY GRUNDFOS Pumput AB
 Phone: +358-(0)207 889 500

France

Pompes GRUNDFOS Distribution S.A.
 Tél.: +33-4 74 82 15 15
 Télécopie: +33-4 74 94 10 51

Germany

GRUNDFOS GMBH
 Tel.: +49-(0) 211 929 69-0
 e-mail:
 infoservice@grundfos.de
 Service in Deutschland:
 e-mail:
 kundendienst@grundfos.de

Greece

GRUNDFOS Hellas A.E.B.E.
 Phone: +0030-210-66 83 400
 Telefax: +0030-210-66 46 273

Hong Kong

GRUNDFOS Pumps (Hong Kong) Ltd.
 Phone:
 +852-27861706/27861741
 Telefax: +852-27858664

Hungary

GRUNDFOS Hungária Kft.
 Phone: +36-23 511 110
 Telefax: +36-23 511 111

India

GRUNDFOS Pumps India Private Limited
 Phone: +91-44 4596 6800

Indonesia

PT GRUNDFOS Pompa
 Phone: +62 21-469 51900
 Telefax: +62-21-460 6910/460 6901

Ireland

GRUNDFOS (Ireland) Ltd.
 Phone: +353-1-4089 800
 Telefax: +353-1-4089 830

Italy

GRUNDFOS Pompe Italia S.r.l.
 Tel.: +39-02-95838112
 Telefax:
 +39-02-95309290/95838461

Japan

GRUNDFOS Pumps K.K.
 Phone: +81 53 428 4760
 Telefax: +81 53 428 5005

Korea

GRUNDFOS Pumps Korea Ltd.
 Phone: +82-2-5317 600
 Telefax: +82-2-5633 725

Latvia

SIA GRUNDFOS Pumps
Latvia
Tāl.: + 371 714 9640, 7 149
641
Fakss: + 371 914 9646

Lithuania

GRUNDFOS Pumps UAB
Tel: + 370 52 395 430
Fax: + 370 52 395 431

Malaysia

GRUNDFOS Pumps Sdn.
Bhd.
Phone: +60-3-5569 2922
Telefax: +60-3-5569 2866

Mexico

Bombas GRUNDFOS de
México S.A. de C.V.
Phone: +52-81-8144 4000
Telefax: +52-81-8144 4010

Netherlands

GRUNDFOS Netherlands
Tel.: +31-88-478 6336
Telefax: +31-88-478 6332 s

New Zealand

GRUNDFOS Pumps NZ Ltd.
Phone: +64-9-415 3240
Telefax: +64-9-415 3250

Norway

GRUNDFOS Pumper A/S
Tlf.: +47-22 90 47 00
Telefax: +47-22 32 21 50

Poland

GRUNDFOS Pompy Sp. z
o.o.
Tel: (+48-61) 650 13 00
Fax: (+48-61) 650 13 50

Portugal

Bombas GRUNDFOS
Portugal, S.A.
Tel.: +351-21-440 76 00
Telefax: +351-21-440 76 90

Romania

GRUNDFOS Pompe
România SRL
Phone: +40 21 200 4100
E-mail:
romania@grundfos.ro

Russia

OOO Грундфос Россия
Тел. (+7) 495 737 30 00,
564 88 00
E-mail
grundfos.moscow@grundfos.
s.com

Serbia

Grundfos Srbija d.o.o.
Phone: +381 11 2258 740
Telefax: +381 11 2281 769

Singapore

GRUNDFOS (Singapore)
Pte. Ltd.
Phone: +65-6681 9688
Telefax: +65-6681 9689

Slovakia

GRUNDFOS s.r.o.
Phona: +421 2 5020 1426

Slovenia

GRUNDFOS LJUBLJANA,
d.o.o.
Phone: +386 (0) 1 568 06
10
Telefax: +386 (0) 1 568 06
19

South Africa

GRUNDFOS (PTY) LTD
Phone: (+27) 11 579 4800
Fax: (+27) 11 455 6066
E-mail:
lsmart@grundfos.com

Spain

Bombas GRUNDFOS
España S.A.
Tel.: +34-91-848 8800
Telefax: +34-91-628 0465

Sweden

GRUNDFOS AB
Tel.: +46(0)771-32 23 00
Telefax: +46(0)31-331 94 60

Switzerland

GRUNDFOS Pumpen AG
Tel.: +41-44-806 8111
Telefax: +41-44-806 8115

Taiwan

GRUNDFOS Pumps
(Taiwan) Ltd.
Phone: +886-4-2305 0868
Telefax: +886-4-2305 0878

Thailand

GRUNDFOS (Thailand) Ltd.
Phone: +66-2-725 8999
Telefax: +66-2-725 8998

Turkey

GRUNDFOS POMPA San.
ve Tic. Ltd. Sti.
Phone: +90 - 262-679 7979
Telefax: +90 - 262-679 7905
E-mail: satis@grundfos.com

Ukraine

Бізнес Центр Європа
Телефон: (+38 044) 237 04
00
Факс.: (+38 044) 237 04 01

United Arab Emirates

GRUNDFOS Gulf
Distribution
Phone: +971-4- 8815 166
Telefax: +971-4-8815 136

United Kingdom

GRUNDFOS Pumps Ltd.
Phone: +44-1525-850000
Telefax: +44-1525-850011

U.S.A.

GRUNDFOS Pumps
Corporation
Phone: +1-913-227-3400
Telefax: +1-913-227-3500

Uzbekistan

Grundfos Tashkent,
Uzbekistan The
Representative Office of
Grundfos Kazakhstan in
Uzbekistan
Телефон: (+998) 71 150
3290 / 71 150 3291
Факс: (+998) 71 150 3292

Addresses revised
05.12.2016

be think innovate

98995255 0217

ECM: 1202699

The name Grundfos, the Grundfos logo, and **be think innovate** are registered trademarks owned by Grundfos Holding A/S or Grundfos A/S, Denmark. All rights reserved worldwide.

© Copyright Grundfos Holding A/S

www.grundfos.com

GRUNDFOS 