

STUART

15 mm Magnetic Scale Reducer

Anti-scale water treatment device providing an effective non-chemical approach to preventing the build up of hard scale deposits.

Compact and easy to install in-line with existing pipework, the unit features a high quality polished stainless steel construction and requires no ongoing maintenance.

Suitable for point of use on individual domestic applications where treated water will be used immediately.



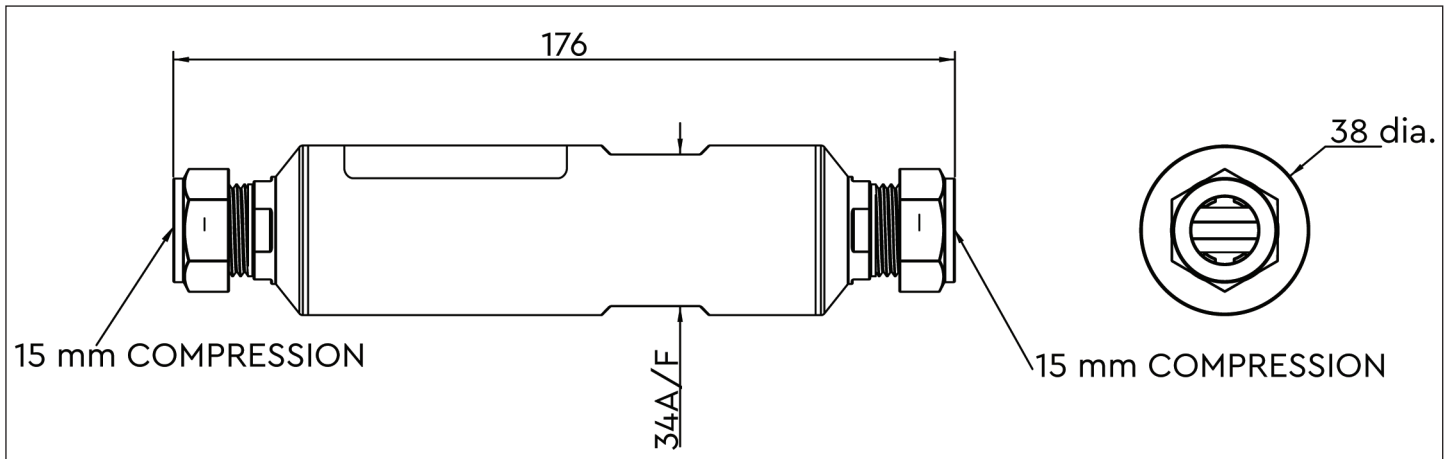
Features

- Effective treatment of cold water for immediate use
- Ideal for installation in-line with an appliance
- Inhibits the formation of hard scale deposits
- Maximises appliance reliability and longevity
- Simple in-line installation, 15 mm compression fittings
- No moving parts, no maintenance required
- Polished stainless steel construction
- No electrical power required
- 1 year guarantee

Application

- Installed in-line with a single appliance such as a combination boiler for a simple and economical solution to hard scale formation
- Stuart Scale Reducers can be used to meet the recommended minimum standards set out in Part L of the Building Regulations which state: 'Where the mains water hardness exceeds 200 parts per million, provision should be made to treat the feed water to water heaters and the hot water circuit of combination boilers to reduce the rate of accumulation of limescale'.

Model	15 mm Magnetic Scale Reducer 44860
Guarantee	1 year
Approvals	CE
Type	Magnetic
Optimum flow rate range	3-14 l/min
Maximum pressure	12 bar @ 20 °C, 6 bar @ 65 °C
Min / Max water temperature	Min 4 °C / Max 65 °C
Housing	Stainless steel
Connections	15 mm compression
Width	176 mm
Depth	38 mm
Height	38 mm
Weight	0.7 Kg



Stuart Turner Limited reserves the right to amend specifications without notice.