


| Count | Description   |
|-------|---|
| 1     | <p data-bbox="223 336 422 369"><b>MAGNA1 32-100</b></p> <div data-bbox="223 369 558 627">  </div> <p data-bbox="614 638 1077 660">Product photo could vary from the actual product</p> <p data-bbox="223 672 494 694">Product No.: <a href="#">99221236</a></p> <p data-bbox="223 705 1460 795">The new MAGNA1 is the simple option for a job well done. It is the perfect choice when replacing older circulators and due to its compliance with the EuP 2015 regulations, substantial savings on electricity is a reality. The ideal choice for basic performance needs in applications where basic system control and monitoring is desired.</p> <ul data-bbox="263 806 1348 1019" style="list-style-type: none"> <li>• Monitoring via the fault relay, ensuring peace of mind</li> <li>• Digital start/stop input available for remote pump control</li> <li>• Continuous operation and reduced downtime with the wireless twin pump function (available on twin-head pumps)</li> <li>• High energy efficiency resulting in substantial savings on electricity</li> <li>• Easy setup and operation via the simple user interface</li> <li>• No maintenance due to the canned-rotor type design.</li> </ul> <p data-bbox="223 1041 1037 1075">MAGNA1 is the simple and efficient choice for most applications including</p> <ul data-bbox="263 1075 726 1310" style="list-style-type: none"> <li>• Heating           <ul style="list-style-type: none"> <li>- Main pump</li> <li>- Mixing loops</li> <li>- Heating surfaces</li> </ul> </li> <li>• Cooling           <ul style="list-style-type: none"> <li>- Air conditioning surfaces</li> <li>- Ground source heat pump systems</li> <li>- Smaller chiller applications</li> </ul> </li> </ul> <p data-bbox="223 1377 303 1400">Liquid:</p> <p data-bbox="223 1400 718 1422">Pumped liquid: Water</p> <p data-bbox="223 1422 718 1444">Liquid temperature range: 14 .. 230 °F</p> <p data-bbox="223 1444 718 1467">Selected liquid temperature: 140 °F</p> <p data-bbox="223 1467 718 1489">Density: 61.35 lb/ft³</p> <p data-bbox="223 1556 343 1579">Technical:</p> <p data-bbox="223 1579 638 1601">TF class: 110</p> <p data-bbox="223 1601 941 1624">Approvals on nameplate: CE, VDE, EAC, CN ROHS, WEEE</p> <p data-bbox="223 1668 335 1691">Materials:</p> <p data-bbox="223 1691 782 1780">Pump housing: Cast iron<br/>EN-GJL-200<br/>ASTM A48-200B</p> <p data-bbox="223 1780 734 1803">Impeller: PES 30%GF</p> <p data-bbox="223 1848 359 1870">Installation:</p> <p data-bbox="223 1870 718 1892">Range of ambient temperature: 32 .. 104 °F</p> <p data-bbox="223 1892 718 1915">Maximum operating pressure: 145.04 psi</p> <p data-bbox="223 1915 638 1937">Pipe connection: G 2"</p> <p data-bbox="223 1937 638 1960">Pressure stage: PN 10</p> <p data-bbox="223 1960 678 1982">Port-to-port length: 7 1/8 in</p> <p data-bbox="223 2049 391 2072">Electrical data:</p> |



Company name:

Created by:

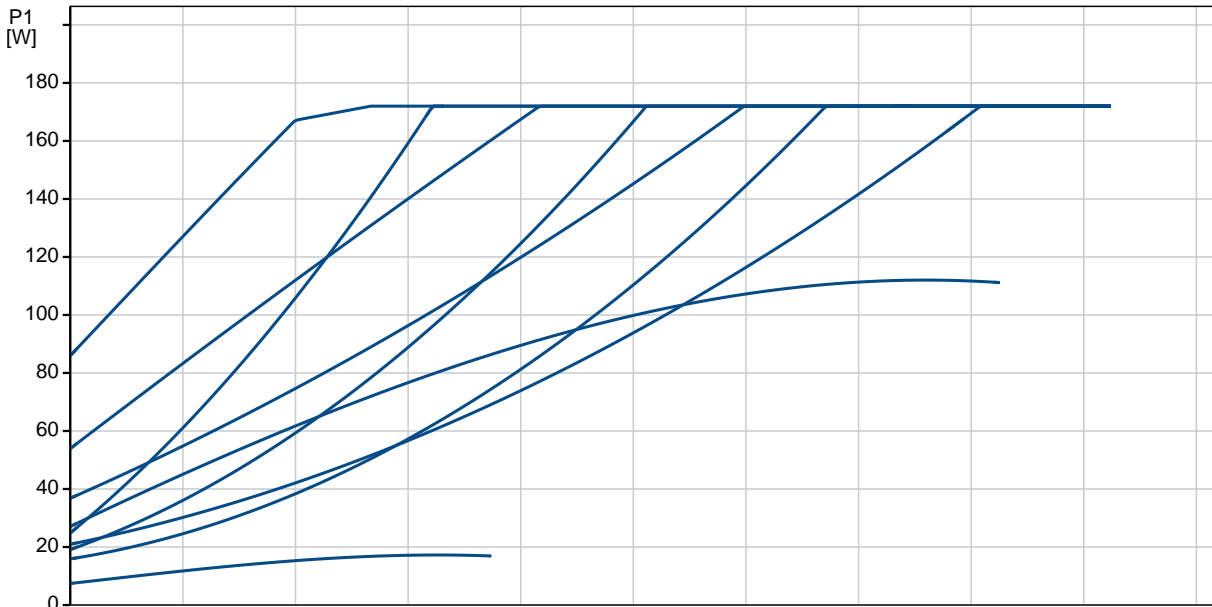
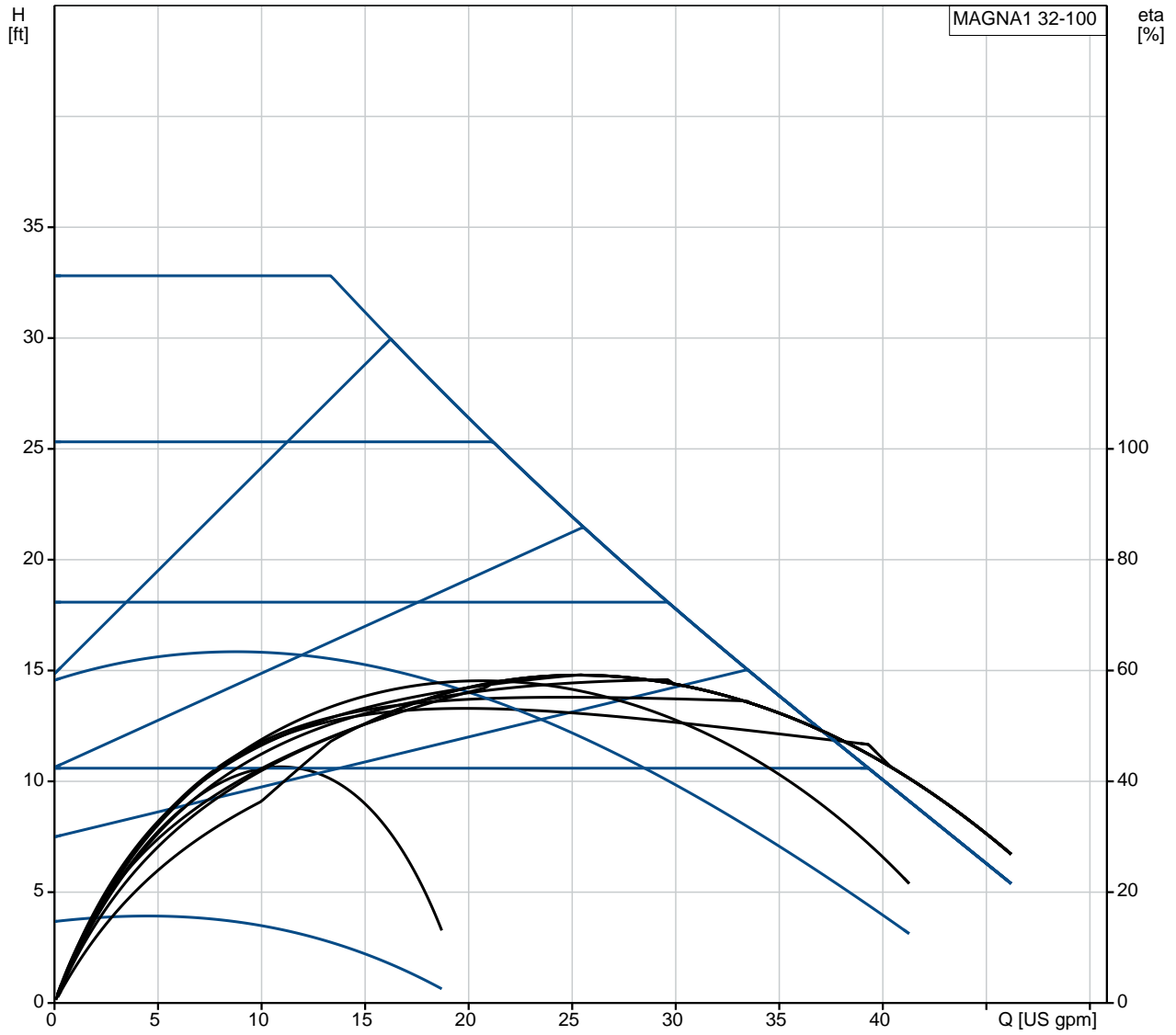
Phone:

Date:

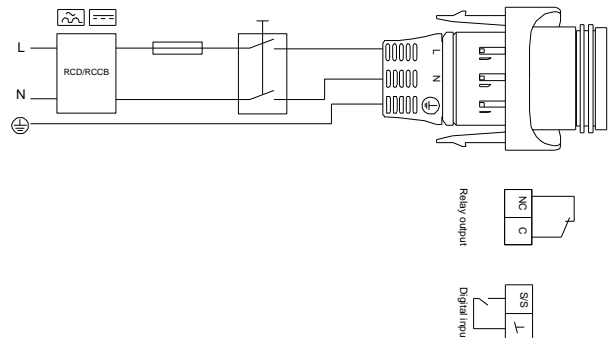
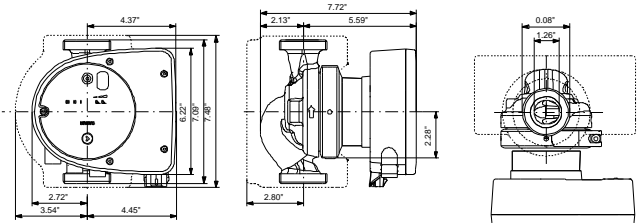
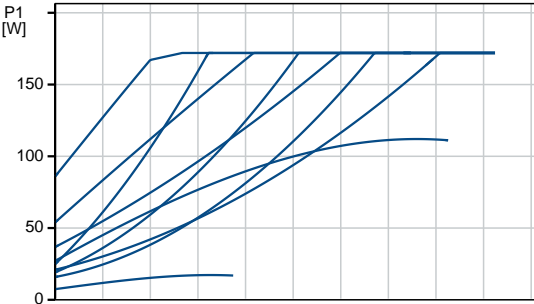
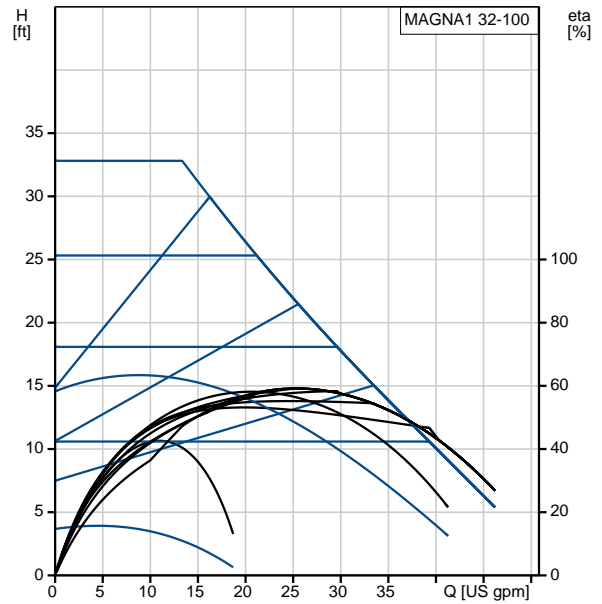
11/11/2020

| Count | Description                                 |
|-------|---|
|       | Power input - P1: 8 .. 175 W                |
|       | Main frequency: 50 / 60 Hz                  |
|       | Rated voltage: 1 x 230 V                    |
|       | Maximum current consumption: 0.08 .. 1.41 A |
|       | Enclosure class (IEC 34-5): X4D             |
|       | Insulation class (IEC 85): F                |
|       | Others:                                     |
|       | Energy (EEI): 0.20                          |
|       | Net weight: 9.92 lb                         |
|       | Gross weight: 12.1 lb                       |
|       | Shipping volume: 0.46 ft <sup>3</sup>       |
|       | Finnish LVI No.: 4615307                    |

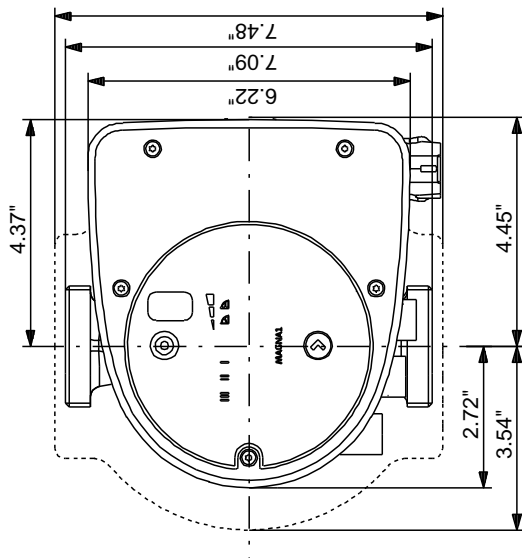
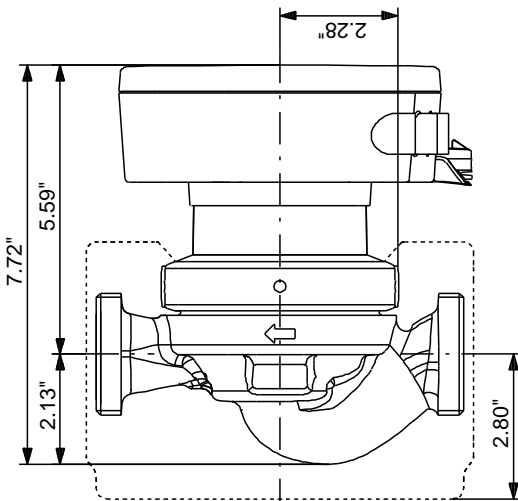
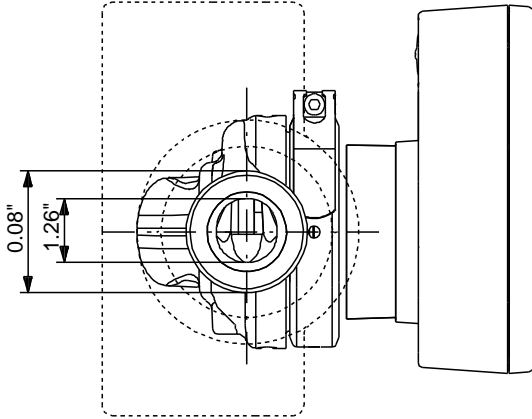
## 99221236 MAGNA1 32-100



| Description                   | Value                   |
|-------------------------------|-------------------------|
| <b>General information:</b>   |                         |
| Product name:                 | MAGNA1 32-100           |
| Product No.:                  | 99221236                |
| EAN:                          | 5712608942099           |
| <b>Technical:</b>             |                         |
| Head max:                     | 32.81 ft                |
| TF class:                     | 110                     |
| Approvals on nameplate:       | CE,VDE,EAC,CN ROHS,WEEE |
| Model:                        | C                       |
| <b>Materials:</b>             |                         |
| Pump housing:                 | Cast iron               |
| Pump housing:                 | EN-GJL-200              |
| Pump housing:                 | ASTM A48-200B           |
| Impeller:                     | PES 30%GF               |
| <b>Installation:</b>          |                         |
| Range of ambient temperature: | 32 .. 104 °F            |
| Maximum operating pressure:   | 145.04 psi              |
| Pipe connection:              | G 2"                    |
| Pressure stage:               | PN 10                   |
| Port-to-port length:          | 7 1/8 in                |
| <b>Liquid:</b>                |                         |
| Pumped liquid:                | Water                   |
| Liquid temperature range:     | 14 .. 230 °F            |
| Selected liquid temperature:  | 140 °F                  |
| Density:                      | 61.35 lb/ft³            |
| <b>Electrical data:</b>       |                         |
| Power input - P1:             | 8 .. 175 W              |
| Main frequency:               | 50 / 60 Hz              |
| Rated voltage:                | 1 x 230 V               |
| Maximum current consumption:  | 0.08 .. 1.41 A          |
| Enclosure class (IEC 34-5):   | X4D                     |
| Insulation class (IEC 85):    | F                       |
| <b>Others:</b>                |                         |
| Energy (EEL):                 | 0.20                    |
| Net weight:                   | 9.92 lb                 |
| Gross weight:                 | 12.1 lb                 |
| Shipping volume:              | 0.46 ft³                |
| Finnish LVI No.:              | 4615307                 |

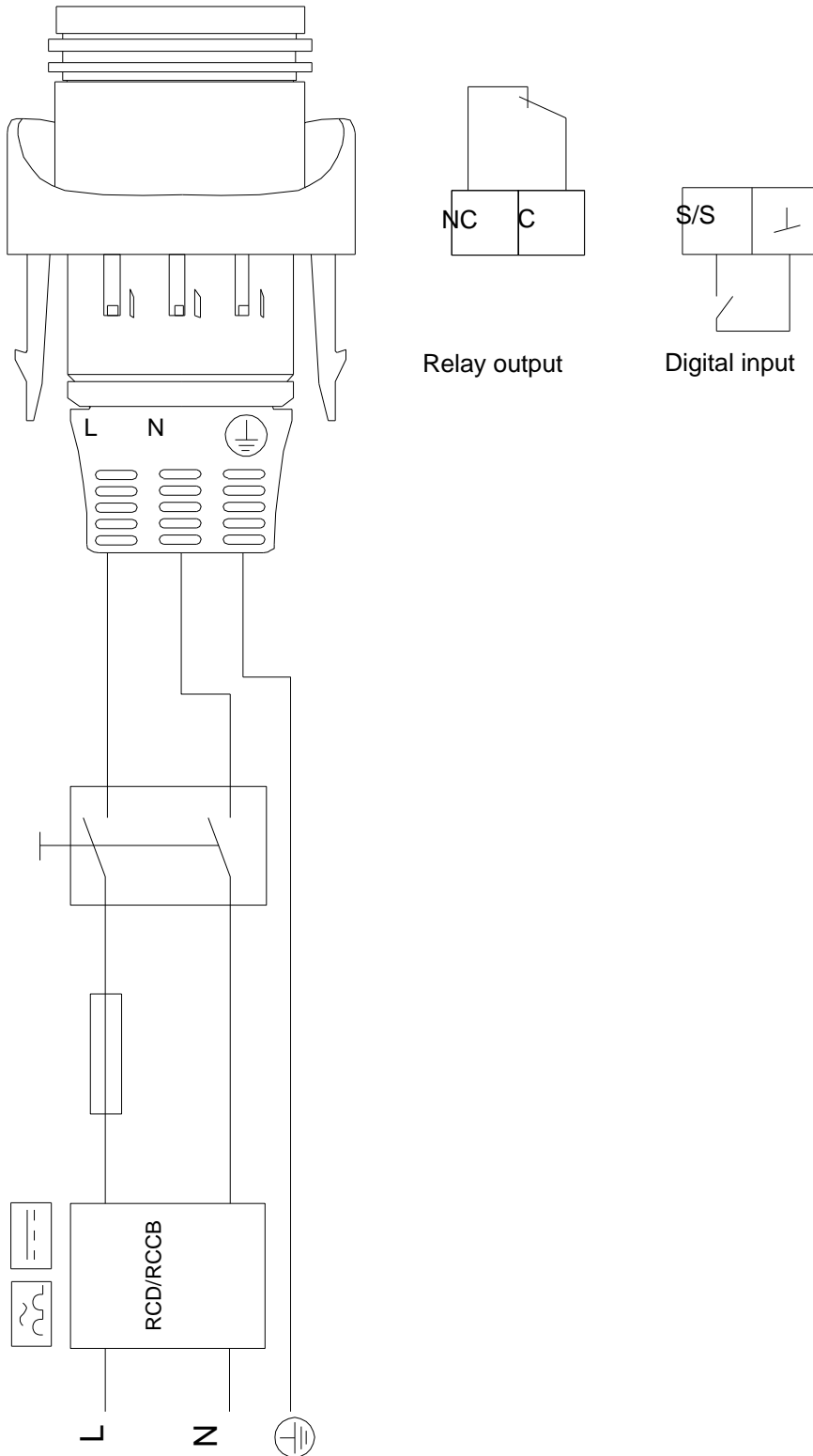


## 99221236 MAGNA1 32-100



Note! All units are in [in] unless otherwise stated.  
Disclaimer: This simplified dimensional drawing does not show all details.

## 99221236 MAGNA1 32-100



All units are [in] unless otherwise presented.