


| Count | Description |
|-------|--|
| 1 | <p data-bbox="223 336 406 369">MAGNA1 32-40</p> <div data-bbox="223 369 558 627">  </div> <p data-bbox="614 638 1077 660">Product photo could vary from the actual product</p> <p data-bbox="223 672 494 694">Product No.: 99221233</p> <p data-bbox="223 705 1460 795">The new MAGNA1 is the simple option for a job well done. It is the perfect choice when replacing older circulators and due to its compliance with the EuP 2015 regulations, substantial savings on electricity is a reality. The ideal choice for basic performance needs in applications where basic system control and monitoring is desired.</p> <ul data-bbox="263 806 1348 1019" style="list-style-type: none"> • Monitoring via the fault relay, ensuring peace of mind • Digital start/stop input available for remote pump control • Continuous operation and reduced downtime with the wireless twin pump function (available on twin-head pumps) • High energy efficiency resulting in substantial savings on electricity • Easy setup and operation via the simple user interface • No maintenance due to the canned-rotor type design. <p data-bbox="223 1041 1037 1075">MAGNA1 is the simple and efficient choice for most applications including</p> <ul data-bbox="263 1075 726 1310" style="list-style-type: none"> • Heating <ul style="list-style-type: none"> - Main pump - Mixing loops - Heating surfaces • Cooling <ul style="list-style-type: none"> - Air conditioning surfaces - Ground source heat pump systems - Smaller chiller applications <p data-bbox="223 1377 303 1400">Liquid:</p> <p data-bbox="223 1400 718 1523"> Pumped liquid: Water Liquid temperature range: 14 .. 230 °F Selected liquid temperature: 140 °F Density: 61.35 lb/ft³ </p> <p data-bbox="223 1556 343 1579">Technical:</p> <p data-bbox="223 1579 941 1646"> TF class: 110 Approvals on nameplate: CE, VDE, EAC, CN ROHS, WEEE </p> <p data-bbox="223 1668 335 1691">Materials:</p> <p data-bbox="223 1691 782 1814"> Pump housing: Cast iron EN-GJL-200 ASTM A48-200B Impeller: PES 30%GF </p> <p data-bbox="223 1848 359 1870">Installation:</p> <p data-bbox="223 1870 718 2027"> Range of ambient temperature: 32 .. 104 °F Maximum operating pressure: 145.04 psi Pipe connection: G 2" Pressure stage: PN 10 Port-to-port length: 7 1/8 in </p> <p data-bbox="223 2049 391 2083">Electrical data:</p> |



Company name:

Created by:

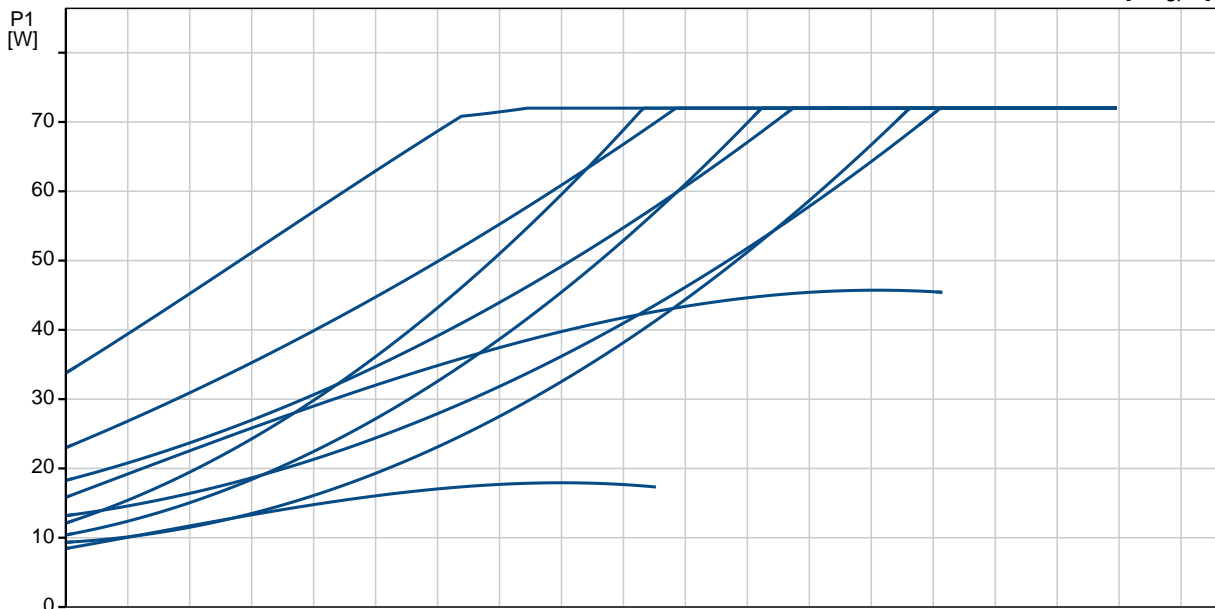
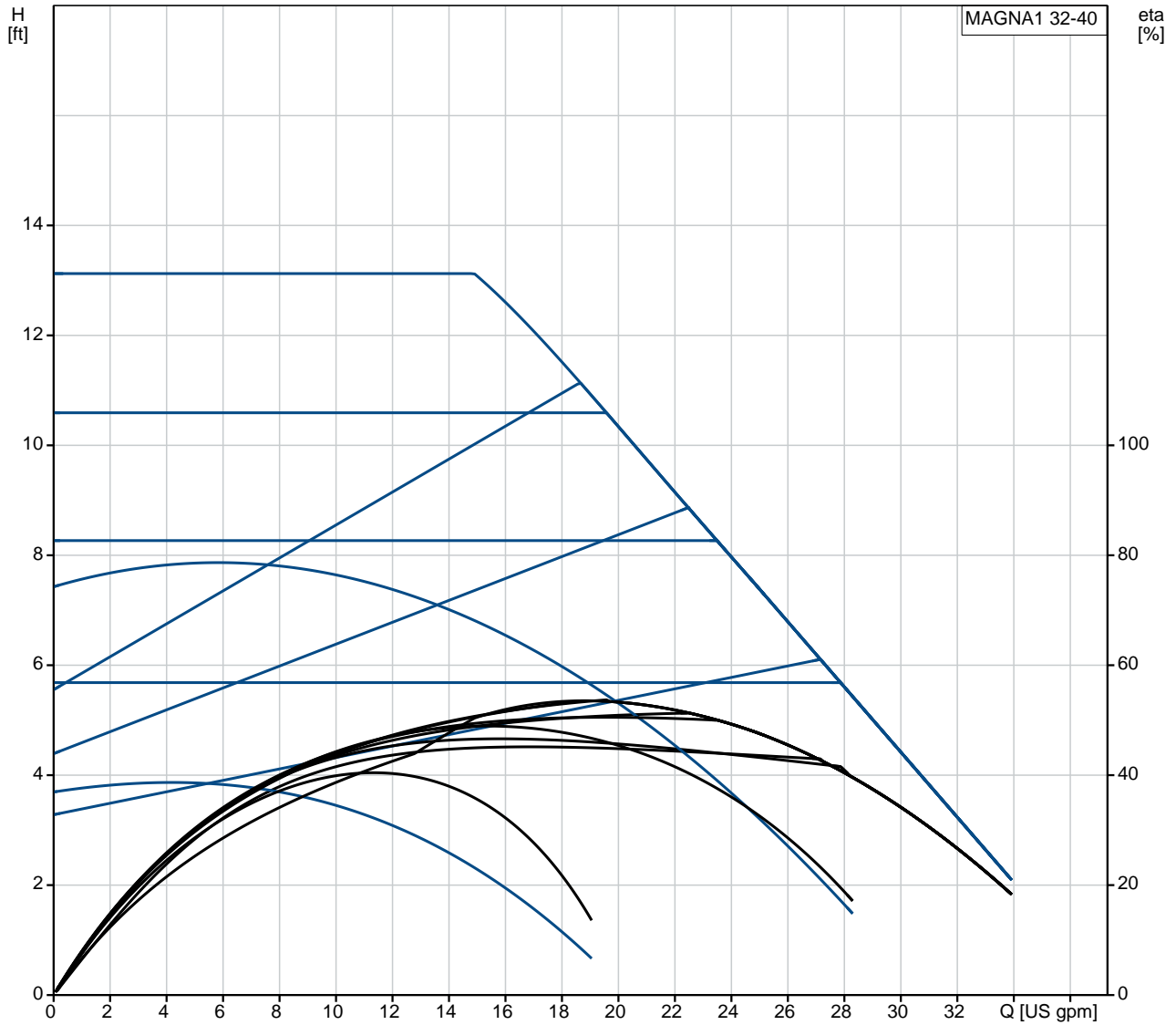
Phone:

Date:

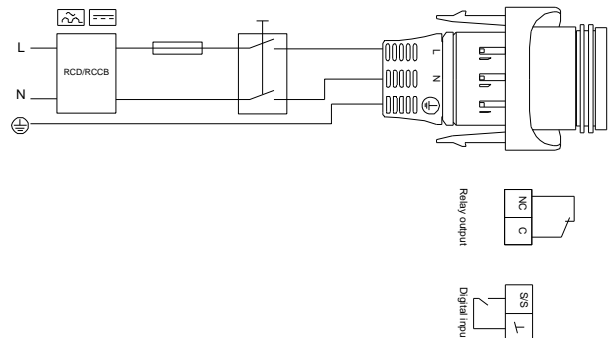
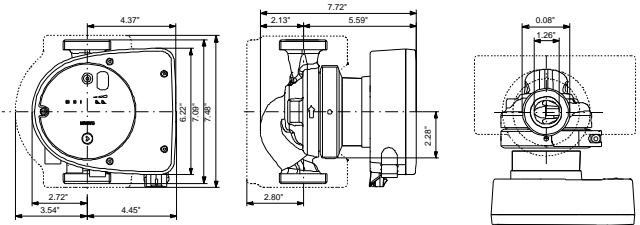
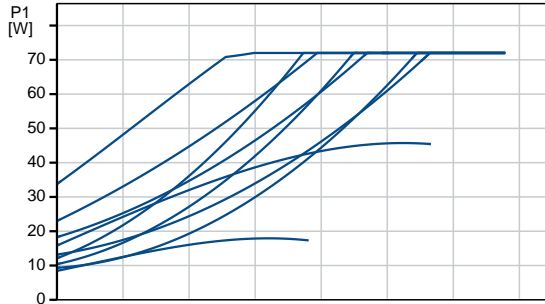
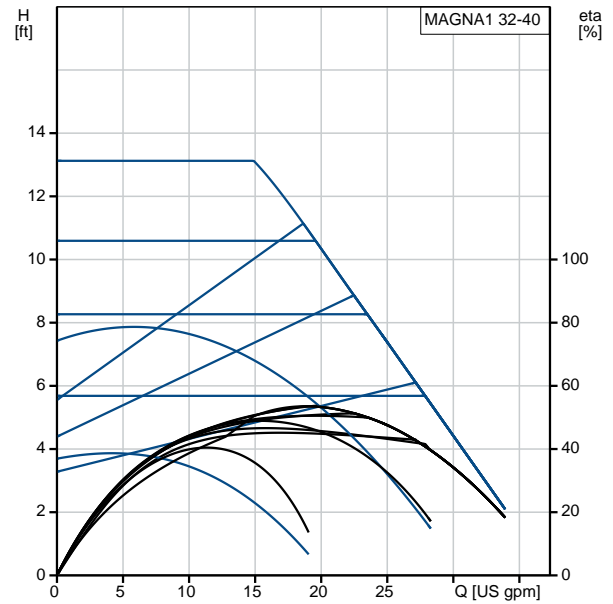
11/11/2020

| Count | Description |
|-------|---|
| | Power input - P1: 9 .. 73 W |
| | Main frequency: 50 / 60 Hz |
| | Rated voltage: 1 x 230 V |
| | Maximum current consumption: 0.09 .. 0.59 A |
| | Enclosure class (IEC 34-5): X4D |
| | Insulation class (IEC 85): F |
| | Others: |
| | Energy (EEI): 0.20 |
| | Net weight: 9.92 lb |
| | Gross weight: 12.1 lb |
| | Shipping volume: 0.46 ft ³ |
| | Finnish LVI No.: 4615304 |

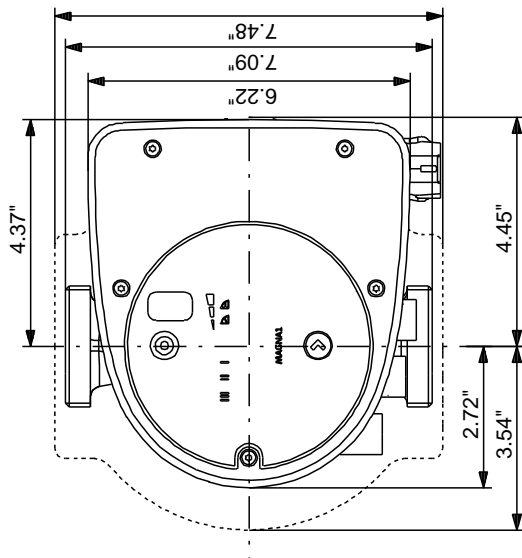
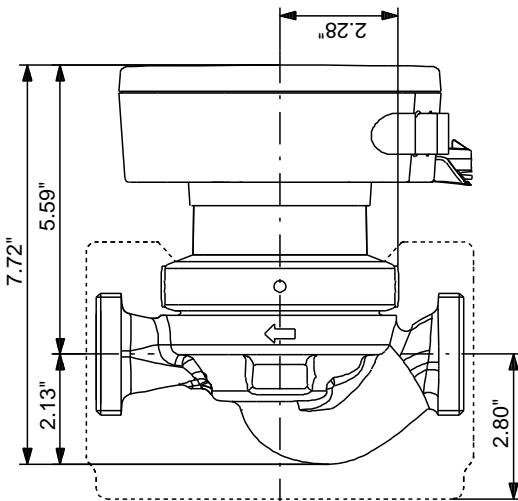
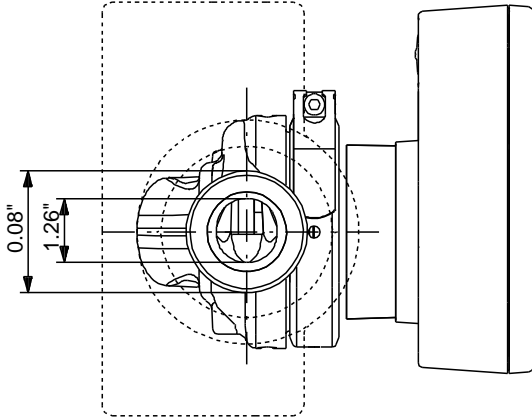
99221233 MAGNA1 32-40



| Description | Value |
|-------------------------------|--------------------------|
| General information: | |
| Product name: | MAGNA1 32-40 |
| Product No.: | 99221233 |
| EAN: | 5712608942068 |
| Technical: | |
| Head max: | 13.12 ft |
| TF class: | 110 |
| Approvals on nameplate: | CE,VDE,EAC,CN ROHS,WEEE |
| Model: | C |
| Materials: | |
| Pump housing: | Cast iron |
| Pump housing: | EN-GJL-200 |
| Pump housing: | ASTM A48-200B |
| Impeller: | PES 30%GF |
| Installation: | |
| Range of ambient temperature: | 32 .. 104 °F |
| Maximum operating pressure: | 145.04 psi |
| Pipe connection: | G 2" |
| Pressure stage: | PN 10 |
| Port-to-port length: | 7 1/8 in |
| Liquid: | |
| Pumped liquid: | Water |
| Liquid temperature range: | 14 .. 230 °F |
| Selected liquid temperature: | 140 °F |
| Density: | 61.35 lb/ft ³ |
| Electrical data: | |
| Power input - P1: | 9 .. 73 W |
| Main frequency: | 50 / 60 Hz |
| Rated voltage: | 1 x 230 V |
| Maximum current consumption: | 0.09 .. 0.59 A |
| Enclosure class (IEC 34-5): | X4D |
| Insulation class (IEC 85): | F |
| Others: | |
| Energy (EEL): | 0.20 |
| Net weight: | 9.92 lb |
| Gross weight: | 12.1 lb |
| Shipping volume: | 0.46 ft ³ |
| Finnish LVI No.: | 4615304 |

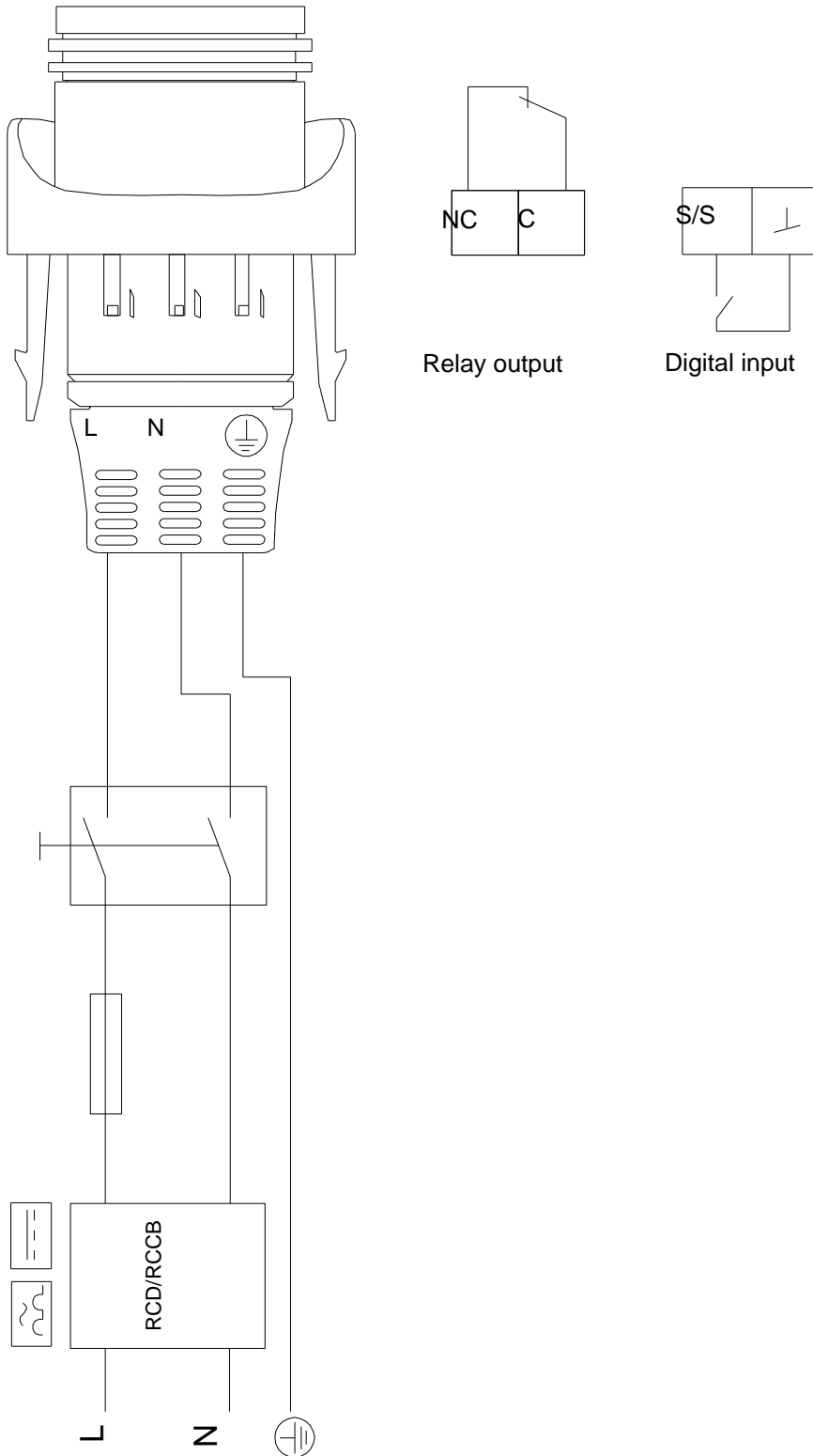


99221233 MAGNA1 32-40



Note! All units are in [in] unless otherwise stated.
 Disclaimer: This simplified dimensional drawing does not show all details.

99221233 MAGNA1 32-40



All units are [in] unless otherwise presented.