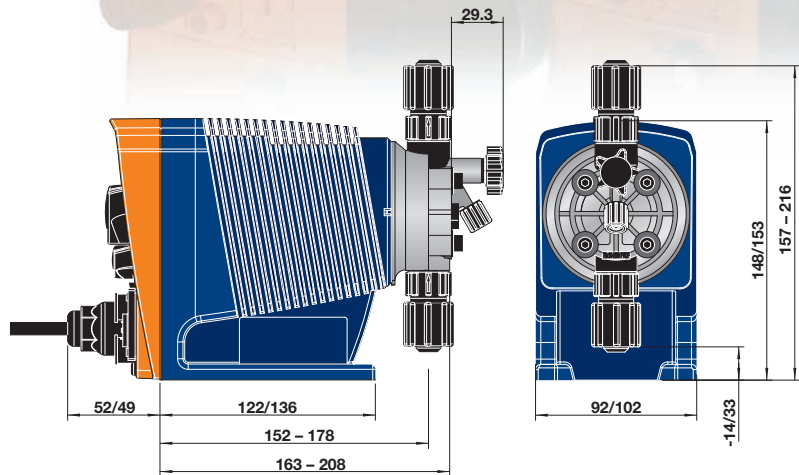


Beta[®] b

Solenoid-driven diaphragm metering pump

The first choice for modern water treatment and chemical dosing.

- Capacity range
0.74–32 l/h, 25–2 bar
- Improved efficiency generates up to 50% energy savings
- Adjustable integral pulse step-up and step-down for optimum adaptation to existing signal generators
- Liquid ends to suit every chemical guarantee their universal use
- Virtually wear-free drive
- Excellent continuous run properties
- Optional: relay module – fast and simple to retrofit
- Input for level switch



Beta[®] b

Pump type	Delivery rate at max. backpressure		Nr. of strokes strokes/min	Connection size ø Ø x i Ø mm	Suction head mWC	Average power consumption W	
	bar	l/h					ml/stroke
BT4b 1000	10	0.74	0.07	180	6 x 4	6.0	7.2
BT4b 1601	16	1.10	0.10	180	6 x 4	6.0	9.6
BT4b 1602	16	2.20	0.20	180	6 x 4	6.0	11.2
BT4b 1604	16	3.60	0.33	180	6 x 4	6.0	15.2
BT4b 0708	7	7.10	0.66	180	8 x 5	6.0	15.2
BT4b 0413	4	12.30	1.14	180	8 x 5	3.0	15.2
BT4b 0220	2	19.00	1.76	180	12 x 9	2.0	15.2
BT5b 2504	25	2.90	0.27	180	8 x 4 ¹⁾	6.0	19.2
BT5b 1008	10	6.80	0.63	180	8 x 5	6.0	19.2
BT5b 0713	7	11.00	1.02	180	8 x 5	4.0	19.2
BT5b 0420	4	17.10	1.58	180	12 x 9	3.0	19.2
BT5b 0232	2	32.00	2.96	180	12 x 9	2.0	19.2

Beta[®] b metering pumps are also available with self-degassing liquid ends and for highly viscous media.

Reduced pressure 4, 7 and 10 bar pump types are available for specialised applications, e.g. for use in swimming pool systems.

Suction lift readings when liquid end and suction tubing are full, or for self-degassing liquid end when the suction tubing contains air.

1) 6 mm inner diameter in stainless steel version.

Materials in contact with medium

Material	Liquid end	Suction/pressure port	Seals	Valve balls
PPT	Polypropylene	PVDF	PTFE	Ceramic
NPT	Acrylic glass	PVDF	PTFE	Ceramic
PVT	PVDF	PVDF	PTFE	Ceramic
TTT	PTFE with carbon	PTFE with carbon	PTFE	Ceramic
SST	Stainless steel Mat. Nr. 1.4404	Stainless steel Mat. Nr. 1.4404	PTFE	Ceramic

DEVELOPAN[®] metering diaphragm with PTFE coating for all types.