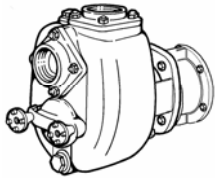
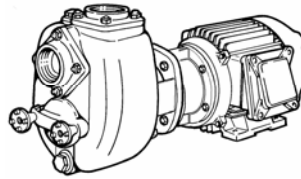


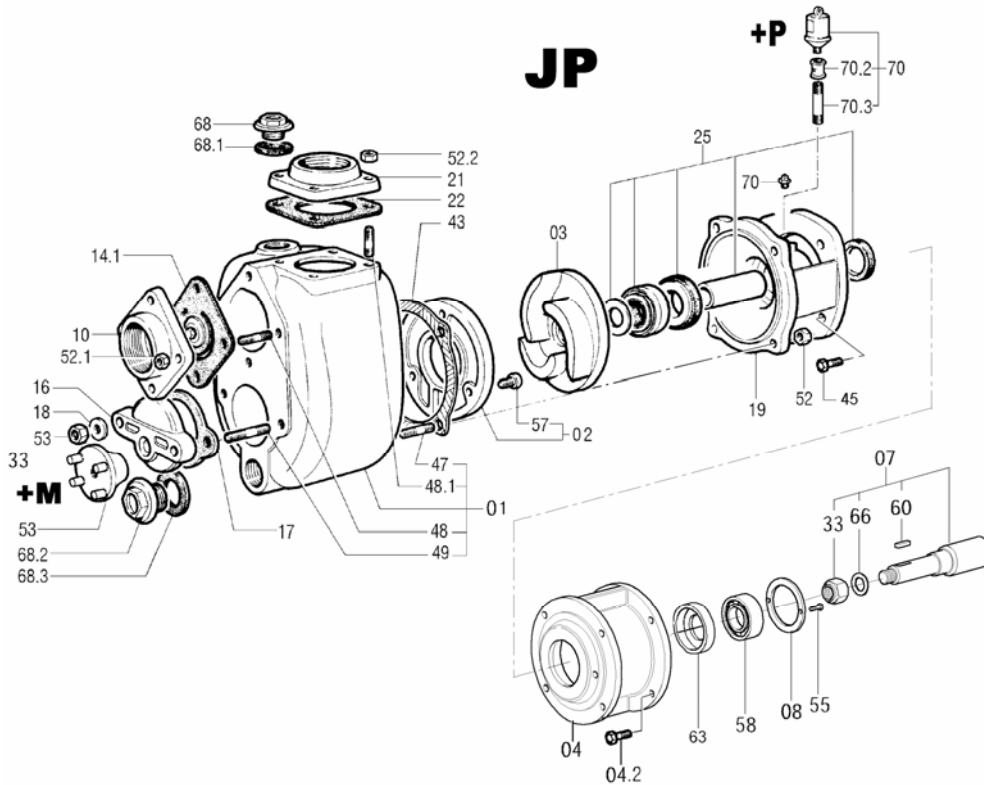
DISTINTA DELLE PARTI COSTITUENTI LE POMPE CENTRIFUGHE AUTODESCANTI SERIE "J"
 SPARE PARTS LIST FOR "J" SERIES SELF-PRIMING CENTRIFUGAL PUMPS
 LISTE DES PIECES DE RECHANGE POUR POMPES CENTRIFUGES AUTO-AMORCANTES SERIE "J"
 ERSATZTEILLISTE FÜR SELBSTANSAUGENDE KREISELPUMPEN SERIE "J"

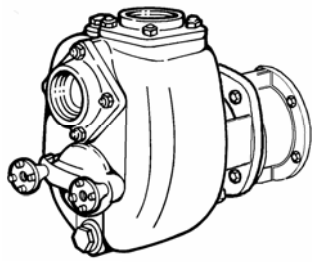


JP 1-110 G10 ETO	COD.1004 0721
JP 1-110 B10 ETO	COD.1004 3835
JP 1-110 K10 ETO	COD.1004 3837
JP 1-110 Q10 ETO	COD.1004 3839
JP 1-110 P10 ETO	COD.1004 3838
JP 1-110 F10 ETO	COD.1004 3836
JP 1-110 T10 ETO	COD.1004 3840

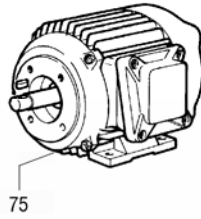


JE 1-110 G10 ET20	COD.1004 2922
JE 1-110 B10 ET20	COD.1004 3576
JE 1-110 K10 ET20	COD.1004 3577
JE 1-110 Q10 ET20	COD.1004 3574
JE 1-110 P10 ET20	COD.1004 3803
JE 1-110 F10 ET20	COD.1004 3573
JE 1-110 T10 ET20	COD.1004 3575

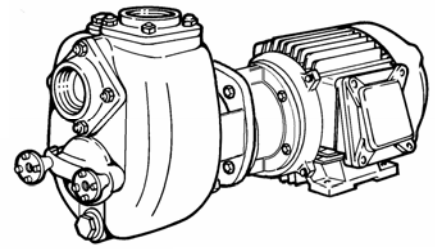




+



=



JP

+

MOTORE / MOTOR

=

JE

Rif. N°. Pos. Nr.	Quant.	Denominazione	Part name	Den. Comm. Type	Mat.*	Codice Nuovo New Part no	JP/JE 1-110 G10	JP/JE 1-110 B10	JP/JE 1-110 K10	JP/JE 1-110 Q10	JP/JE 1-110 P10	JP/JE 1-110 F10	JP/JE 1-110 T10
01	1	Corpo (1)	Casing (1)		G	1000 8030	○				○		○
					B	1000 8023		○					
					K	1000 8050			○				
					Q	1002 7004				○		○	
					G+QPQ	1004 3846							
02	1	Piatto d'usura (2)	Front wear plate (2)		G	1002 0012	○				○		
					B	1000 8389		○		○			
					K	1002 0894			○			○	
					G+QPQ	1004 5777							
03	1	Girante	Impeller		G	1000 5275	○				○	○	
					B	1000 5198		○		○			
					K	1000 5388			○				
					G+QPQ	1000 5375							
04	1	Campana	Coupling flange		G	1004 0674	○	○	○	○	○	○	
04.2	4	Vite	Screw	M 6x20 DIN 938	S	1000 1933	○				○	○	
					K	1000 2023		○	○	○		○	○
07	1	Albero (3)	Shaft (3)		S	1004 0719	○				○	○	
					K	1004 3190		○	○	○		○	○
08		Copricuscinetto	Bearing cover		G	1004 0682	○	○	○	○	○	○	
10	1	Portavalvola	Suction flange	R 1"1/2	G	1000 6413	○				○	○	○
					OTS	1000 6394		○		○			
					K	1000 6443			○				
							+F	+F	+F	+F	+F	+F	
14.1	1	Valvola completa (4)	Check valve ass. (4)		NH	1000 9010	○	○					○
					VK	1000 9014			○	○	○	○	
16	1	Portina	Cover		S	1000 6473	○		○		○	○	○
					OTS	1000 3748		○					
					K	1000 6502			○				
					SZ					○		+Z	+Z
					Z	1000 3810	+Z			+Z	+Z		
17(**)	1	Guarnizione	Gasket										
18(*)	2	Rondella	Washer										
19	1	Portamotore	Head		G	1000 6295	○			○	○	○	○
					B	1000 6269		○					
					K	1000 6365			○				
					G+QPQ	1000 6347							
21	1	Flangia mandata	Discharge flange	R 1"1/2	G	1000 5082	○				○	○	○
					OTS	1000 5065		○		○			
					K	1000 5108			○				
							+F	+F	+F	+F	+F	+F	
22(**)	1	Guarnizione	Gasket										
25	1	Anello di tenuta compl.	Mechanical seal ass.	T 19 YYN T19 YYV		1000 8804	○	○					○
						1000 8904				○	○	○	○

VARISCO S.p.A.

Terza Strada, 9 - Z.I. Nord - 35129 Padova - Italy

Tel. 049 82 94 111

+39 049 82 94 111

Fax 049 82 94 373

International +39 049 80 76 762

varisco
solid pumping solutions

Rif. N°. Pos. Nr.	Quant.	Denominazione	Part name	Den. Comm. Type	Mat.*	Codice Nuovo New Part no	JP/JE 1-110 G10	JP/JE 1-110 B10	JP/JE 1-110 K10	JP/JE 1-110 Q10	JP/JE 1-110 P10	JP/JE 1-110 F10	JP/JE 1-110 T10
33	1	Dado blocca girante	Impeller nut	M 12x1,25 UNI 7474	H	1000 1462	○				○		○
					K	1000 1469		○	○	○		○	
43(**)	1	Guarnizione corpo	Casing gasket										
45	4	Vite	Screw	M 8 x 20 DIN 933	S	1000 1937	○				○		○
					K	1000 2027		○	○	○		○	
47(*)	4	Prigioniero	Stud	M 8x18 DIN 938	S		○				○		○
					K			○	○	○		○	
48(*)	4	Prigioniero	Stud	M 8x18 DIN 938	S		○				○		○
					K			○	○	○		○	
48.1(*)	4	Prigioniero	Stud	M 8x18 DIN 938	S		○				○		○
					K			○	○	○		○	
49(*)	2	Prigioniero	Stud	M 10x30 DIN 938	S		○				○		○
				M 10x30 DIN 938	K			○	○	○		○	
52(*)	4	Dado	Nut	M 8 DIN 934	S		○				○		○
					K			○	○	○		○	
52.1(*)	4	Dado	Nut	M 8 DIN 934	S		○				○		○
					K			○	○	○		○	
52.2(*)	4	Dado	Nut	M 8 DIN 934	S		○				○		○
					K			○	○	○		○	
53(*)	2	Dado	Nut	M 10 DIN 934	S		○			○	○		○
					K				○			○	
		Maniglietta	Wrench	M 10	OTS			○		○			
					OTS								
55	2	Vite	Screw	M 5 x 14 DIN 912	S	1000 1897	○	○	○	○	○	○	○
57(*)	3	Vite	Screw	M 6 x 12 DIN 912	H		○				○		○
					K			○	○	○		○	
58	1	Cuscinetto	Ball bearing	6204 2RS	S	1000 1384	○	○	○	○	○	○	○
60	1	Linguetta	Key	4x4x14 DIN 6585 A	K	1000 1617	○	○	○	○	○	○	○
63	1	Ghiera	Sleeve	D. 20	S	1000 1306	○	○	○	○	○	○	○
66	1	Rondella	Washer	M 12 DIN 125	H	1000 1707	○	○	○	○	○	○	○
68	1	Tappo	Plug	R 1/2"	S	1000 2385	○			○	○		○
					K	1000 2415		○	○			○	
68.1(**)	1	Guarnizione	Gasket										
68.2	1	Tappo	Plug	R 1"	S	1000 2386	○			○	○		○
					B	1000 2388		○					
					K	1000 2416			○			○	
68.3(**)		Guarnizione	Gasket	42x32,5x2									
70(*)	1	Ingrassatore	Grease nipple	1/4"			○	○	○	○	○	○	○
		Cartuccia Perma	Perma Cartridge	1/4"			+P	+P	+P	+P	+P	+P	+P
70.2	1	Manicotto	Union	1/4"			+P	+P	+P	+P	+P	+P	+P
70.3	1	Prolunga	Grease tube	1/4"			+P	+P	+P	+P	+P	+P	+P
75	1	Motore V. 230-400(TRIFASE)	A.C. Motor V. 230-400(THREE PHASE)	1,1kW B34 IP55			○	○	○	○	○	○	○
		Motore V. 230(MONOFASE)	A.C. Motor V. 230(SINGLE PHASE)	1,1kW B34 IP55			○	○	○	○	○	○	○
(*)	1	Serie viterie	Set of screw			1001 4482	○				○		○
						1001 4483		○		○			
						1001 4484			○			○	
(**)	1	Serie guarnizioni	Set of gaskets			1001 3988	○		○				○
						1001 3996		○					
						1001 3993			○	○	○	○	

VARISCO S.p.A.

Terza Strada, 9 - Z.I. Nord - 35129 Padova - Italy

Tel. 049 82 94 111

+39 049 82 94 111

Fax 049 82 94 373

International +39 049 80 76 762



Rif. N°. Pos. Nr.	Quant.	Denominazione	Part name	Den. Comm. Type	Mat.*	Codice Nuovo New Part no	JP/JE 1-110 G10	JP/JE 1-110 B10	JP/JE 1-110 K10	JP/JE 1-110 Q10	JP/JE 1-110 P10	JP/JE 1-110 F10	JP/JE 1-110 T10	
+ F***		Kit flange	Kit flange	DN 40 PN16	G	1004 2259	○				○	○	○	
				DN 40 PN16	B	1004 2785		○		○				
				DN 40 PN16	K	1004 2789				○				
				1"1/2 ASA150	G	1004 2817	○					○	○	○
				1"1/2 ASA150	B	1004 2821		○			○			
			1"1/2 ASA150	K	1004 2825			○						
+ P***		Kit ingrassatore	Compl. Grease kit			1000 8316	○	○	○	○	○	○		
+ Z***		Kit portine	Set of couer		GZ	1001 4076	○				○	○		
+ M***		Kit maniglie	Set of wrench		OTS	1004 2260	○				○	○		
***		Optional												

Note:	Notes:
1) Completo di prigionieri (47, 48, 48.1, 49)	1) Complete with studs (47, 48, 48.1, 49)
2) Completo di viti (57)	2) Complete with screws (57)
3) Completo di dado, rondella e linguette (33, 60, 61, 66)	3) Complete with nut, washer and keys (33, 60, 61, 66)
4) Completo valvola, contrappesi, vite e dado	4) Complete with check valve, weights, screw and nut.
* Materiali di costruzione	* Construction materials
G = Ghisa	G = Cast iron
B = Bronzo	B = Bronze
H = Acciaio inox AISI 304	H = AISI 304 stainless steel
K = Acciaio inox AISI 316	K = AISI 316 stainless steel
OTS = Ottone	OTS = Brass
N = Gomma nitrile	N = Nitrile rubber
S = Acciaio	S = Steel
V = Viton	V = Viton
Z = Zinco	Z = Zinc
Ordinare il materiale indicando sempre la quantità, la denominazione, il codice del pezzo, il tipo ed il numero della pompa.	When ordering spares always indicate type and serial number of pump, quantity, part name, and number.