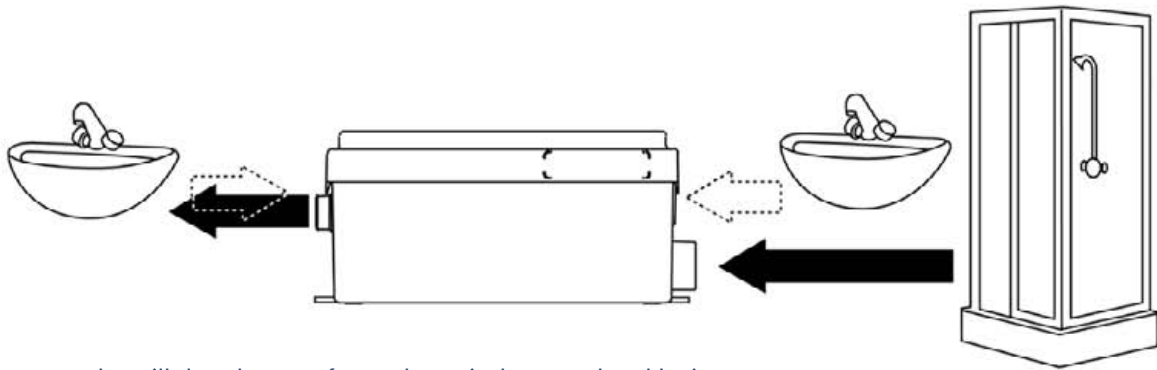


SANISHOWER

1. Description



This unit is a pump that will clear the waste from a domestic shower and washbasin.

The unit will start automatically.

Please pay particular attention to the following:



Possible danger to personnel

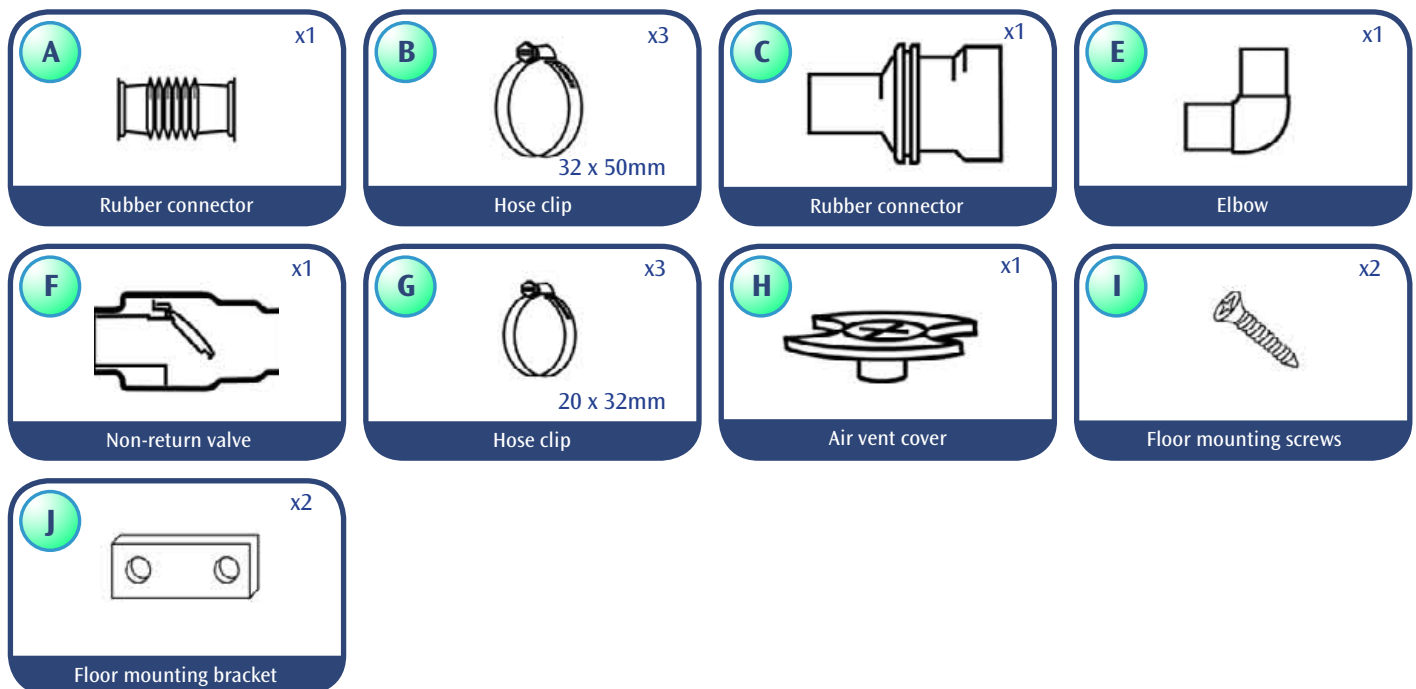


Warning of possible electrical hazard

“ATTENTION” This is a general warning that failure to follow instructions could result in poor functioning of the unit.

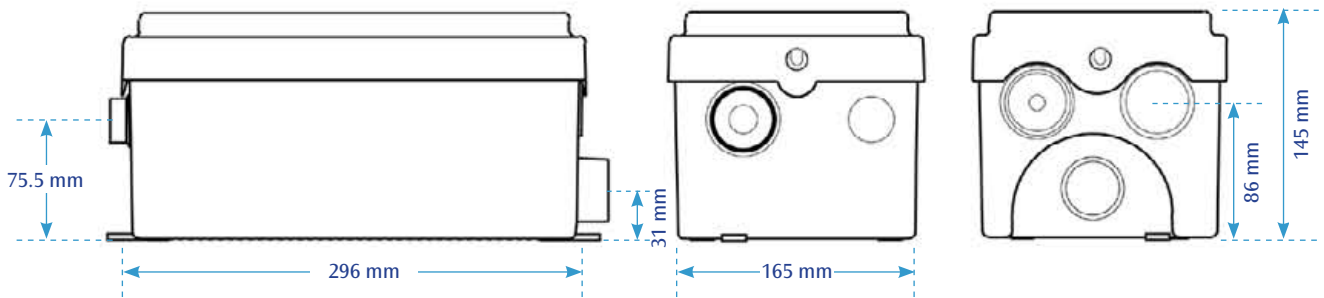
This equipment benefits from the latest technological innovations concerning soundproofing. To benefit fully from the advantages provided by this new generation of appliances, it is important to comply with the installation instructions in section 5.

2. List of Accessories included

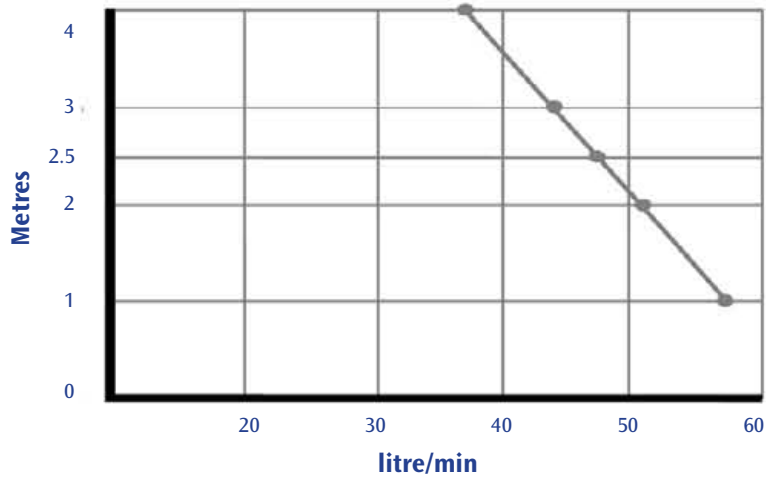


SANISHOWER

3. Dimensions and overall measurements

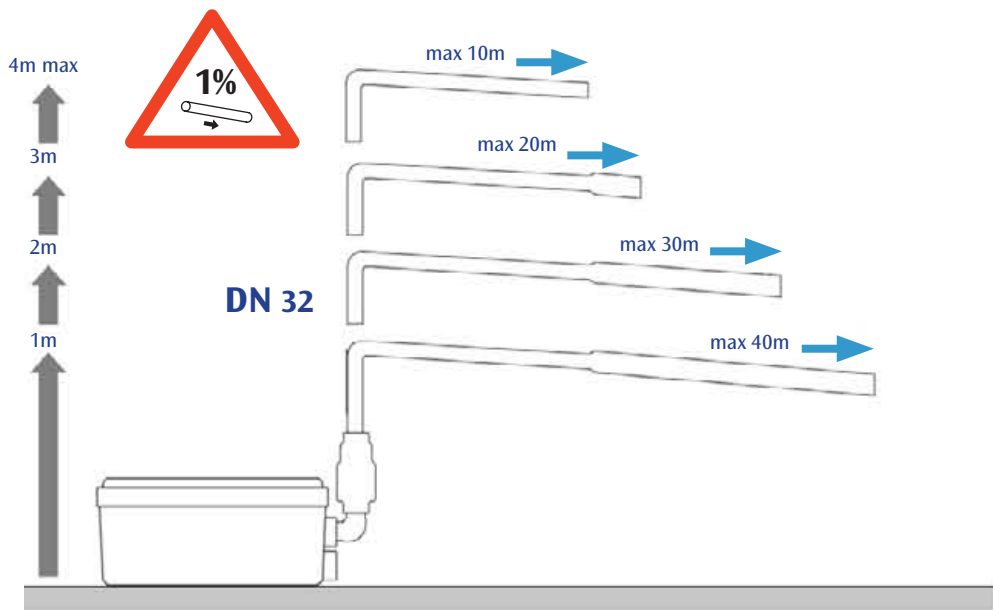


4. Performance Curve & Height and Length of the discharge pipe



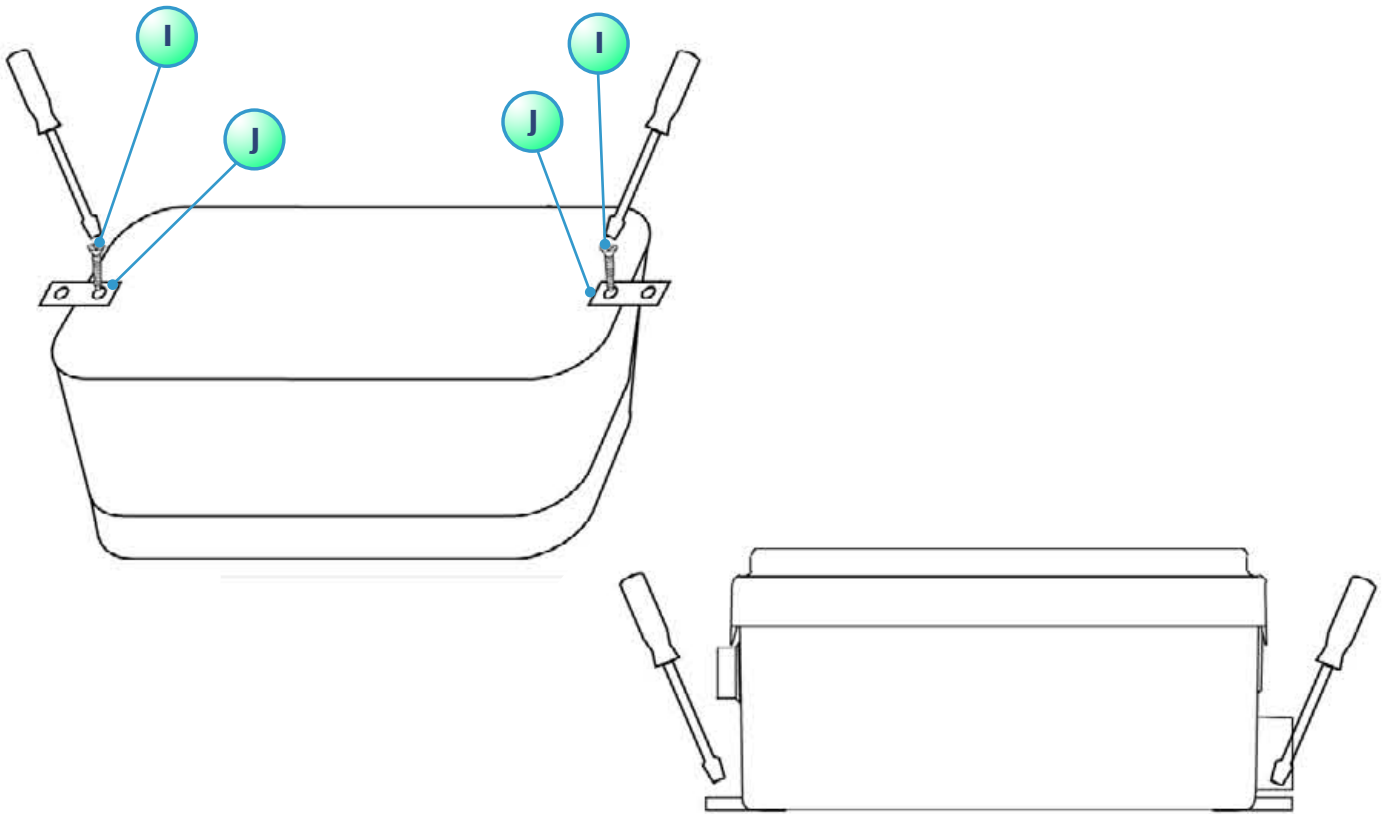
Ø 32

The discharge pipe size for Sanishower can be 22mm or 32mm.



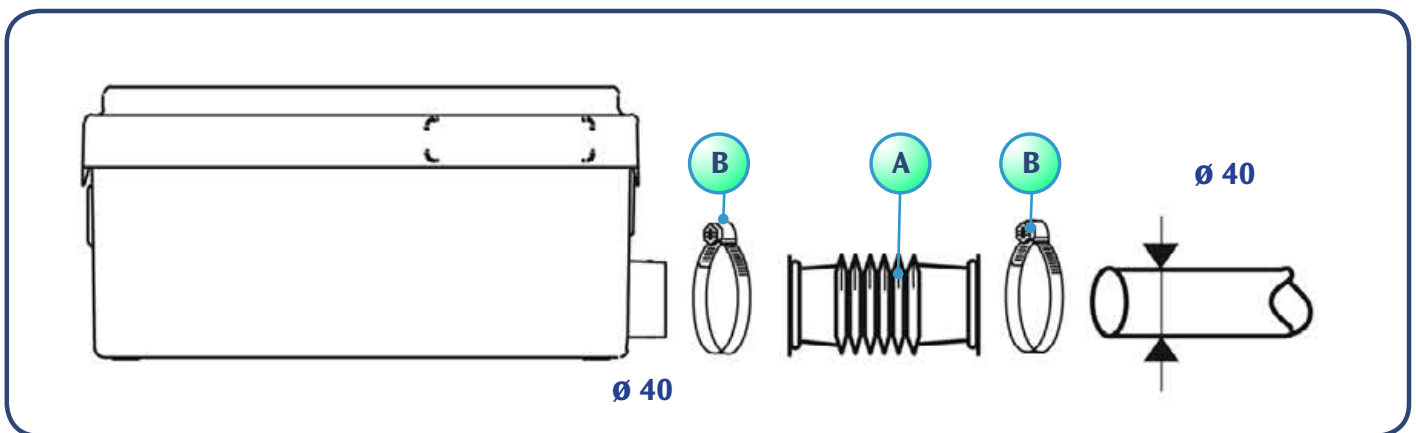
SANISHOWER

5. Installation



The unit should be accessible for possible maintenance.
It is supplied with floor fixing lugs to prevent it from moving during use.
If pumping vertically, always put the vertical before the horizontal at the start of the piperun.

6. Connection to side inlets



Use the rubber connector (A) for connection of pipes to the side inlets. Secure with the metal hose clips (G).

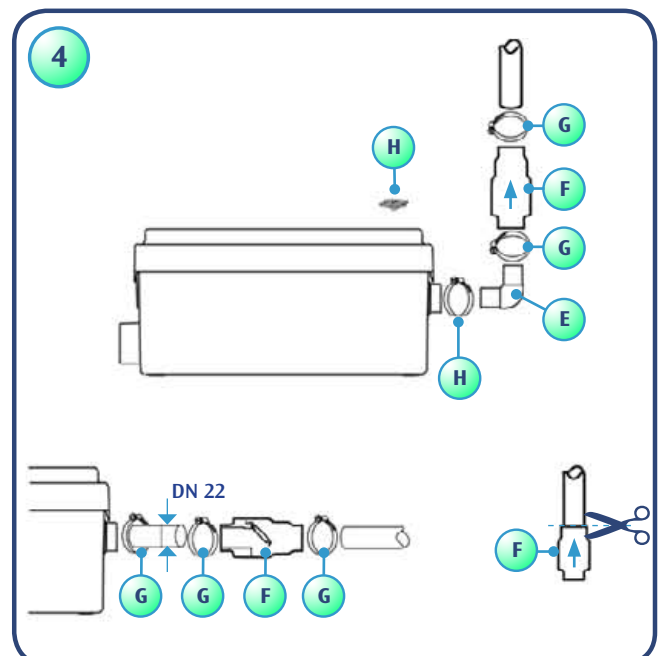
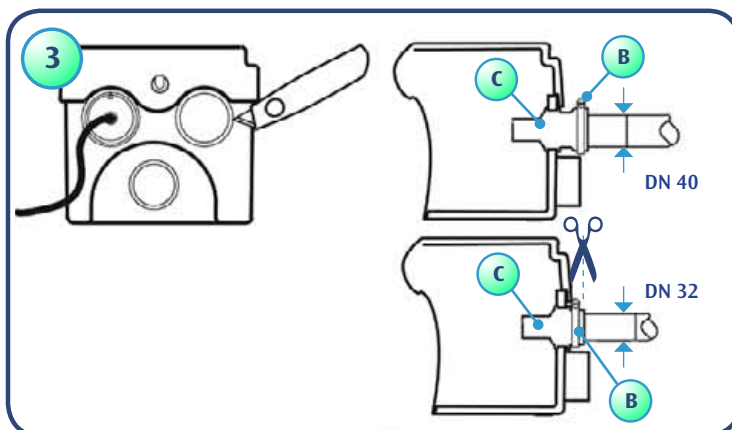
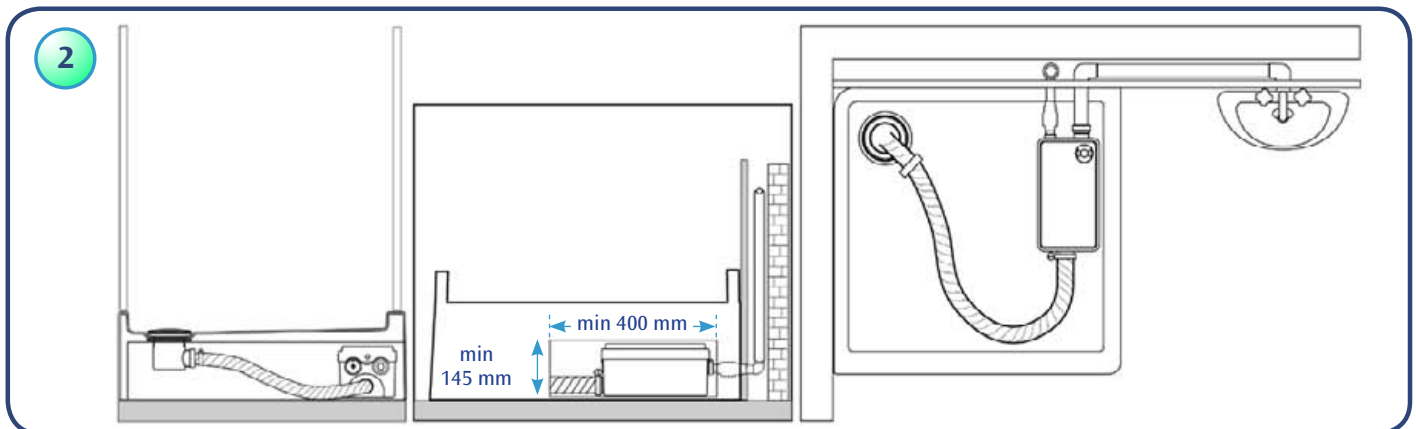
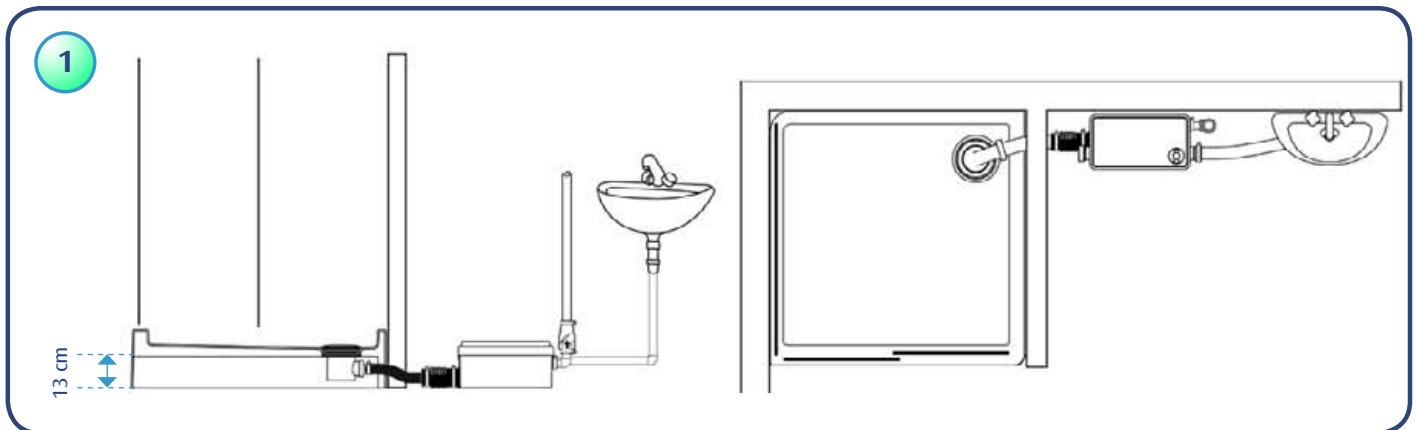
7. Connections of bathroom appliances

To install a shower next to the unit, connect one end of the connector to the inlet spigot, and the other end to the 40mm shower waste. Secure using the metal hose clips (G) provided.

Warning: Ensure that the shower trap exit is 60mm above ground level.

Installation under the tray:

Lift the tray at least 145mm to accommodate the unit. Prepare an access trap to the unit of at least 400mm long and 145mm high (the access trap should be built so that a tool is required to open it).



8. Discharge connection

- Push the elbow (E) into the rubber discharge pipe and secure with metal hose clip (G).
- Connect the non-return valve (F) to the other end of the elbow and secure with a clip (G).
- If the non-return valve is to be mounted horizontally, use some rigid 22mm pipe to join the discharge point to the non-return valve (F). Secure both ends with the clips (G).
- If the non-return valve (F) is installed horizontally, the arrow should show along the top.

Connection to the optional inlet

- Use a suitable cutter or knockout the cap from the optional inlet (see step 7, figure 3). Make sure the hole is not cut at an angle, and that the edges are deburred.

Warning: Make sure that this operation is carried out precisely, otherwise the joint will not be watertight.

- The rubber connector (C) can be used for 40mm or 32mm waste pipes. If fitting 32mm waste, cut off the end of connector (see step 7, figure 3). Push the neck of connector into the hole. It is a grip fit, which is why the hole must be cut accurately. Secure the waste pipe with a clip.

Technical advice for discharge to lower floor

If the discharge pipework runs to a level considerably lower than the unit, the resultant siphoning effect can suck out the water seal in the unit. Fitting an air admittance valve capable of withstanding 10psi pressure (BBA approved) at the high point of the pipe run will overcome this problem.

Note: The discharge pipework should be copper or rigid solvent weld plastic.

9. In case of servicing

For possible service requirements, provide a drain off at the low point of the installation.

10. Electrical connection



The electrical installation should be carried out by a qualified person.

All wiring must conform to BS7671, 1992 requirements for electrical installations. The Sanishower requires a 220/240V single phase AC 50 Hz supply (UK specification). Do not connect the Sanishower to a conventional plug and socket. It must be wired into a fused, unswitched, fixed wiring connector fitted with a 5 amp fuse. The Sanishower has an earth wire. The wires in the mains lead are coloured in accordance with the following code:

Brown – Live Blue – Neutral Green/Yellow – Earth

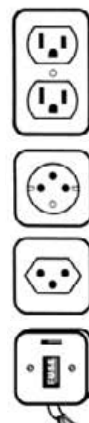
Warning: Ensure the electricity is turned OFF at the main switchboard before wiring to connector.

All work on cable, pressure chamber and motor should only be carried out by a qualified Saniflo servicing agent, as special tools are required.

UK – 230/240V 50Hz.

The unit should be installed so it is easily accessible/removable for possible maintenance.

The unit should not be exposed to splashing in normal use.



CANADA
USA

EUR

CH

GB

11. Norms

The unit conforms with EN 12050-2 waste water lifting plant.

SANIPLUS®

Société Française d'Assainissement

EN 12050-2

FF01-D60

220 - 240 V - 50 Hz - 250 W - IP44 1.3A - $\frac{1}{2}$ " - 3.5 KG



SANISHOWER

12. Care and use

The Sanishower is designed to take the waste from a shower and handbasin.

Warning: Do not dispose of solvents, paints (do not wash paint brushes in sink), caustic, acid or other chemicals into these products.

13. Dismantling

Disconnect from the power supply before attempting any work on the unit.

The unit does not require any specific maintenance.

In case of a service requirement, please call own Saniflo service engineer, especially for any electrical work.

14. Guarantee

This unit is guaranteed for 2 years subject to correct installation and usage.

15. Parts

