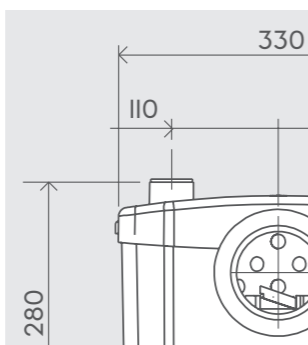




SANIFLO[®]
PLUMBING THE POSSIBILITIES

Pumps, Macerators and Lifting Stations 2014/15

Not sure which Saniflo unit to specify?
Lift the flap for a full ready-reference guide as to which of our units is best suited to your specific installation.



SANIFLO[®]
PLUMBING THE POSSIBILITIES

Saniflo Limited
Howard House
The Runway
South Ruislip
Middlesex HA4 6SE
United Kingdom

Tel 020 8842 0033
Fax 020 8842 1671
Web www.saniflo.co.uk

As our policy is one of continuous product improvement we reserve the right to alter product specification without notice. All information in this publication is given in good faith. No responsibility can be accepted for any errors, omissions or incorrect assumptions. 05/14 23762UK



PRODUCT SELECTOR

All of our units can be used in any of these situations: Basement, Ground Floor, Upper Floor, Loft/Attic – just choose the right product for your installation...

	WC	Wall-hung WCs	Wash Basin	Bath	Shower	Power shower	Bidet	Washing Machine	Dishwasher	Sink	Alarm ¹
SANIFLO Ref 1001	•										•
SANITOP Ref 1002	•		•								•
SANIPLUS Ref 1003	•		•		•	•	•				•
SANISLIM Ref 1054	•		•		•		•				•
SANIPACK Ref 1052		•	•		•	•	•				•
SANIPRO Ref 1006	•		•		•	•	•				•
SANICOMPACT³ Ref 1081	•		•								
SANIWALL Ref 1110		•	•		•	•	•				•
SANIVITE Ref 1004			•	•				•	•	•	•
SANISHOWER Ref 1043/2			•		•		•				•
SANISHOWER FLAT Ref 1043/3			•		•						
SANIFLOOR Ref 1154/5/6					•	•					
SANIACCESS 1 Ref 1900	•										
SANIACCESS 2 Ref 1901	•		•								
SANIACCESS 3 Ref 1902	•		•		•		•				
SANIACCESS PUMP Ref 1903			•	•	•		•	•	•	•	
SANISPEED Ref 1045			•	•	•		•	•	•	•	•
SANIBEST PRO Ref 1053	•		•		•		•				•
SANICOM 1 Ref 1046			•	•	•		•	•	•	•	
SANICOM 2 Ref 1046/2			•	•	•		•	•	•	•	
SANICUBIC 1 Ref 1102/1	•		•	•	•		•	•	•		• ²
SANICUBIC 2 PRO Ref 1102	•		•	•	•		•	•	•		• ²
SANICUBIC 2 CLASSIC Ref 1139	•		•	•	•		•	•	•		• ²
SANICUBIC XL Ref 1102/2	•		•	•	•		•	•	•		• ²

¹ Sanialarm can be fitted to these units if required.

² Sanialarm is fitted to these units as standard.

³ Sanicompact can be installed in locations with a minimum water supply pressure of 1.7 bar.

CONTENTS

Our product range has been divided into four categories to make it simple to find the product you're looking for, quickly and easily.



DOMESTIC

SANIFLO	04
SANITOP	05
SANIPLUS	06
SANISLIM	07
SANIPACK	08
SANIPRO	09
SANICOMPACT	10
SANIWALL	11
SANIVITE	12
SANISHOWER	13
SANISHOWER FLAT	14
SANIFLOOR	15
TRAYMATIC INTERIOR	16
TRAYMATIC EXTERIOR	17
SANIACCESS 1	18
SANIACCESS 2	19
SANIACCESS 3	20
SANIACCESS PUMP	21



PROFESSIONAL

SANISPEED	24
SANIBEST PRO	25
SANICOM 1	26
SANICOM 2	27
SANICUBIC 1	28-29
SANICUBIC 2 PRO	30-31
SANICUBIC 2 CLASSIC	32-33
SANICUBIC XL	34-35



SANICONDENS

SANICONDENS BEST	38-39
SANICONDENS PRO	40
SANICONDENS ECO	41
SANINEUTRAL	42
SANICONDENS CLIM PACK	43
SANICONDENS CLIM MINI	44
SANICONDENS CLIM DECO	45



ACCESSORIES

SANIALARM	48
4"/100mm ISOLATING VALVE	49
2"/50mm ISOLATING VALVE	49
CLEANING/DESCALER	50
CARBON AIR FILTER	50

Our guarantee

Saniflo units are fully guaranteed for two years and backed by a nationwide service network of skilled and experienced engineers.

Technical Advice / Spares: 020 8842 0033

Service Engineer Linkline: 0845 765 0011

Please phone from a landline from the unit location in order to be connected to your local service engineer.

Visit our official website www.repairs.saniflo.co.uk for a full listing of service engineers by geographical area.

Our pumping systems are designed for the disposal of normal organic waste product, water or paper. They are not intended to replace kitchen waste or sanitary waste disposal units. As our policy is one of continuous improvement we reserve the right to alter product specification and price without notice. All information in this publication is given in good faith. No responsibility can be accepted for any errors, omissions or incorrect assumptions. Illustrations are diagrammatic and should be regarded only as indicative of technical requirements. All vertical pumping distances are measured from base of unit.

Saniflo works where convention doesn't.

Because Saniflo products are perfect for unconventional situations where drainage is a problem, you'll be able to say 'yes' to your customers more often. More jobs each month and more revenue for your business.

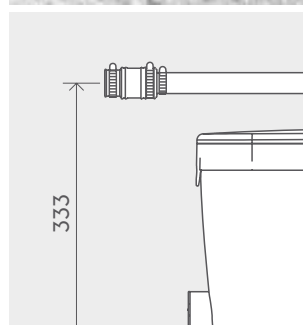
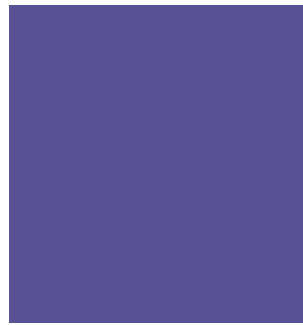
A bath in the basement, a loo in the loft or a shower under the stairs! Wherever you need access to conventional drainage but there's none close by, Saniflo probably has a product to help you find a solution.

We've a huge range of macerator pumps, lifting stations and integrated sanitaryware and all are designed to work with small bore pipework that's easy to install and run to the nearest soil pipe. You'll find they're now very quiet and unobtrusive in operation and with many slim-line models available; easy to hide away.

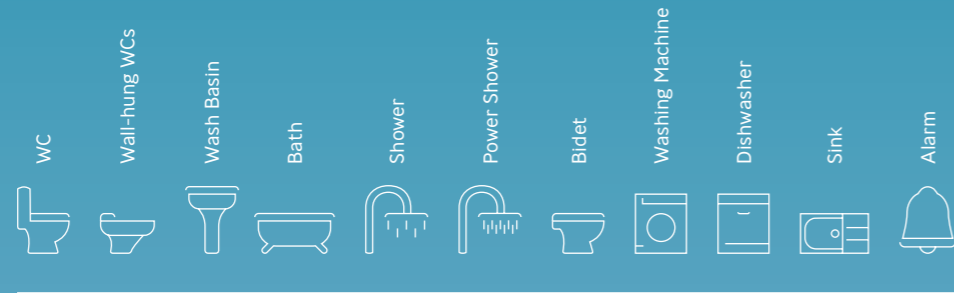
All our products are designed and manufactured in France and rigorously tested on site. We have years of experience in the market, constantly refining and improving our products and we're so confident in their reliability they're **guaranteed for 2 years**. For more information on our guarantee policy please see inside the back cover of this brochure.

Saniflo UK also has a network of over **100 service engineers** available to your customers should any maintenance be required.

All you need to do is think of the possibilities.



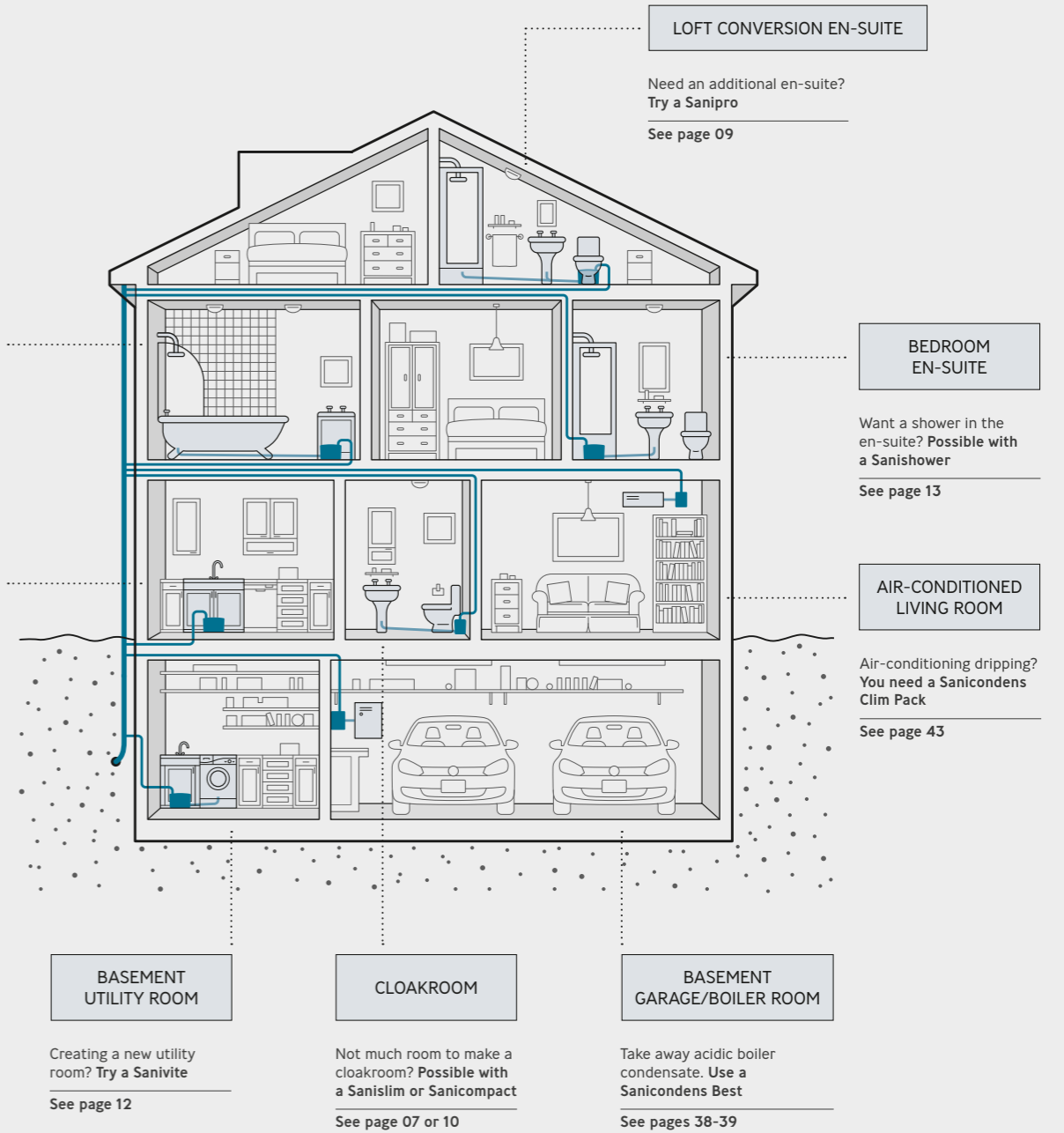
DOMESTIC



Products suitable for a whole variety of applications
(Just refer to each of the product keys on the relevant pages)



Maximum pumping distances are shown for each product by use of the symbol above. It shows the maximum vertical pumping height and the maximum horizontal pumping distance, but a lesser combination of the two measurements is applicable.



Domestic

Conventional plumbing uses gravity to allow drainage to conveniently sited pipework and sewers. **But what if gravity isn't on your side?** What if drainage pipework is **inconveniently positioned**, perhaps when working in a loft or a basement?

Saniflo works **where convention doesn't**. The domestic range consists of 18 solutions for bathrooms and kitchens.

SANIFLO®

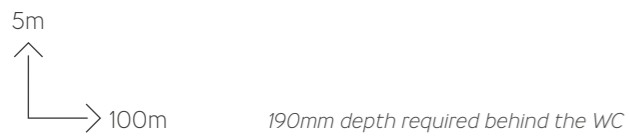
Product Ref: 1001

The original macerator pump unit that allows installation of an extra WC almost anywhere when a conventional solution isn't possible.



Why choose this product?

- Ideal for one WC
- Unobtrusive with a quiet motor



SANITOP®

Product Ref: 1002

Similar to the original Saniflo but allows connection of a WC and a wash basin to one macerator pump. A great choice for a small cloakroom.



Why choose this product?

- Unobtrusive with a quiet motor
- One top waste inlet



Discharge Pipework 22 mm	Working Waste Water Temp 35°C
Motor Power 400 Watts	Product Weight 5.4kg
Voltages 220-240 V/50 Hz	IP Rating IP44

Discharge Pipework 22 mm	Working Waste Water Temp 35°C
Motor Power 400 Watts	Product Weight 5.3kg
Voltages 220-240 V/50 Hz	IP Rating IP44

SANIPLUS®

Product Ref: 1003

The Saniplus enables you to install an additional bathroom with ease. With two inlets and a greater tank capacity, the Saniplus can easily deal with a WC, wash basin, bidet and even the highest output power showers.



Why choose this product?

- One unit deals with the waste from an additional bathroom
- Works with high output power showers
- Two side inlets and a greater tank capacity



SANISLIM®

Product Ref: 1054

When you need slimline sanitaryware you need a macerator pump to match. Sanislim needs just 145mm depth behind the WC and, with an inlet either side, can take waste from a WC, a shower, wash basin and bidet if required.

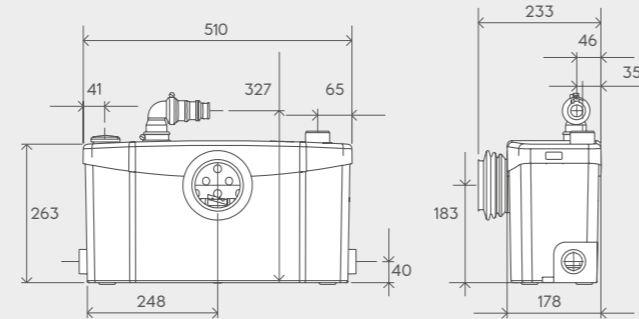


Why choose this product?

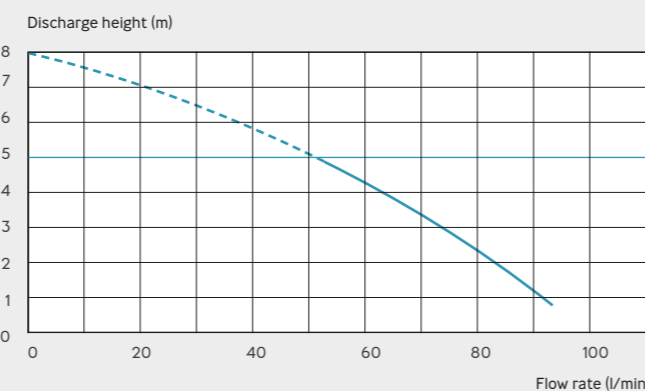
- Designed to fit behind the latest slimline styles of WC
- Deals with all waste from a small bathroom
- Inlets either side of unit



5m
100m
210mm depth required behind the WC

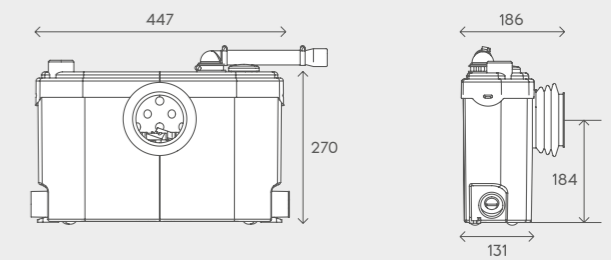


Discharge Pipework 22 mm	Working Waste Water Temp 35°C
Motor Power 400 Watts	Product Weight 6.4kg
Voltages 220-240 V/50 Hz	IP Rating IP44

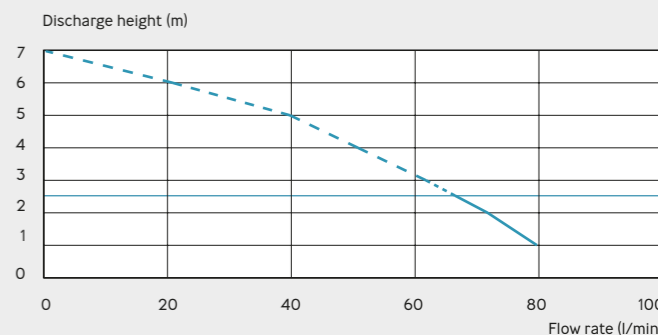


2.5m
40m

Only 145mm depth required behind the WC. Clearance of 320mm is required from floor level to the underside of a close coupled suite to accommodate the discharge elbow.



Discharge Pipework 22 mm	Working waste Water Temp 35°C
Motor Power 400 Watts	Product Weight 5.8kg
Voltages 220-240 V/50 Hz	IP Rating IP44



SANIPACK®

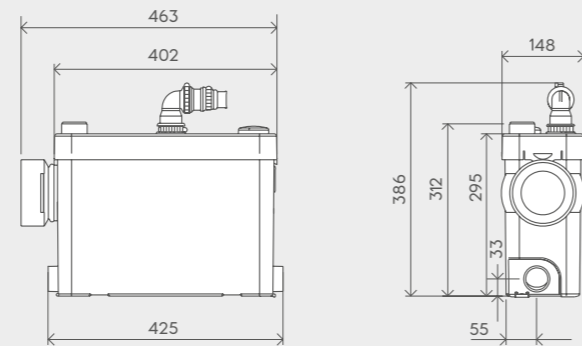
Product Ref: 1052

Designed to be concealed from view, where back-to-wall or wall-hung sanitaryware is required, the extra slim Sanipack can take waste from a WC, wash basin and shower. An ideal choice for a modern, sleek finish.



Why choose this product?

- Perfect solution for a complete shower room installation
- Extra slim dimensions
- Ideally suited for fitted bathroom units
- Capacity to connect WC, wash basin, bidet and shower



Discharge Pipework
22 mm

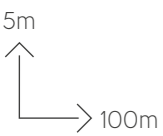
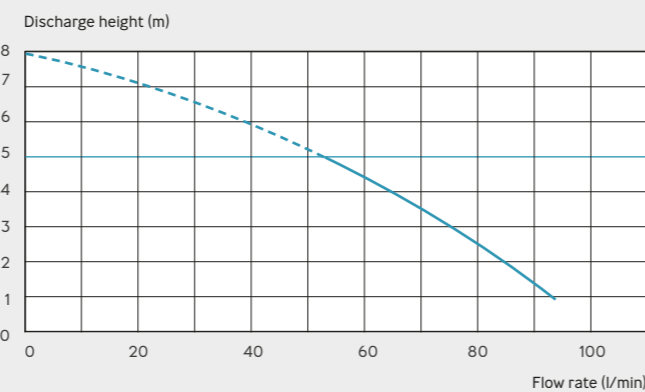
Motor Power
400 Watts

Voltages
220-240 V/50 Hz

Working Waste Water Temp
35°C

Product Weight
7kg

IP Rating
IP44



SANIPRO®

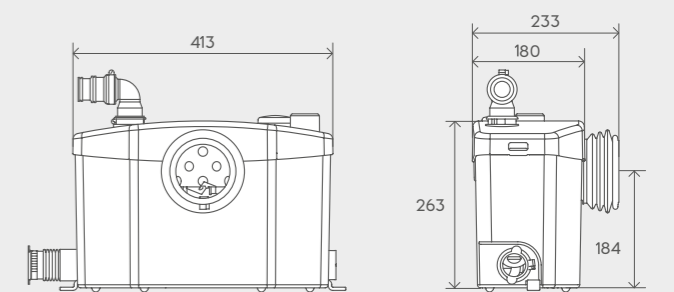
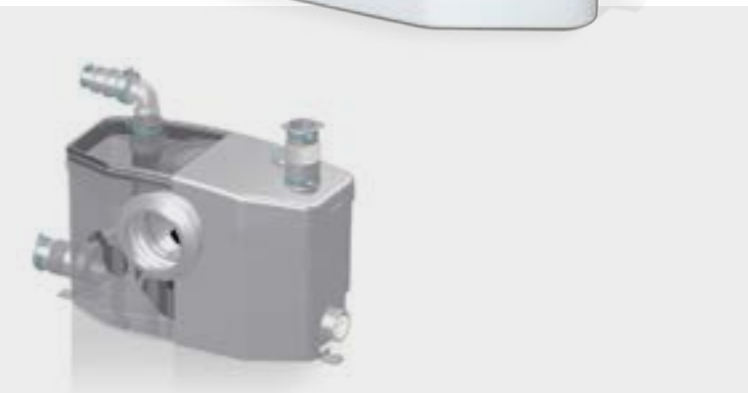
Product Ref: 1006

The Sanipro is ideal for adding an en-suite. With two inlets the Sanipro can easily deal with a WC, wash basin, bidet and a power shower.



Why choose this product?

- Compact, neat and unobtrusive
- Capacity for an en-suite installation
- Inlets either side of unit



Discharge Pipework
22 mm

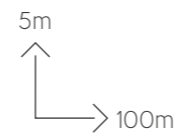
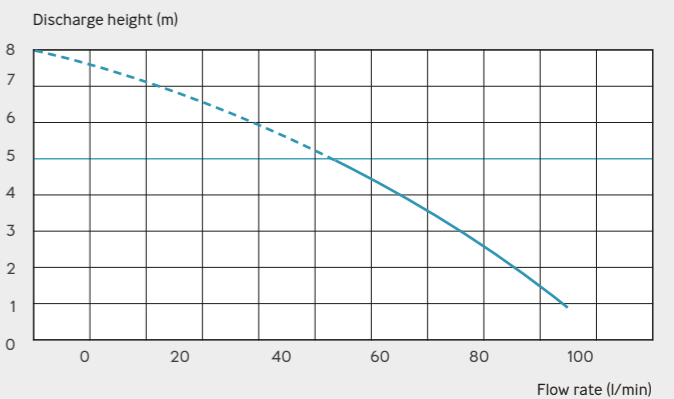
Motor Power
400 Watts

Voltages
220-240 V/50 Hz

Working Waste Water Temp
35°C

Product Weight
6.4kg

IP Rating
IP44



210mm depth required behind the WC



SANICOMPACT®

Product Ref: 1081

A super-compact WC unit with a built in macerator that's perfect for small cloakrooms. It even features a wash-basin inlet and needs no cistern to make the most of the smallest spaces.



Why choose this product?

- A WC with built in macerator
- Automatic push-button flush connected directly to the domestic water supply
- Needs no cistern
- Features a soft-close toilet seat



Requires a minimum of 1.7 bar water supply pressure



Discharge Pipework
32 mm

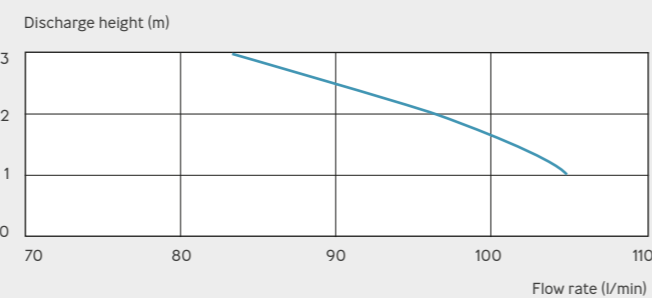
Motor Power
550 Watts

Voltages
220-240 V/50 Hz

Working Waste Water Temp
35°C

Product Weight
23.2kg

IP Rating
IP44



SANIWALL®

Product Ref: 1110

With a built-in frame system designed to accommodate all types of wall-hung WC (not supplied), Saniwall has a dual flush and an integral macerator pump. In addition to taking the waste from a WC there are two side inlets enabling a wash basin, shower and bidet to drain to the macerator.

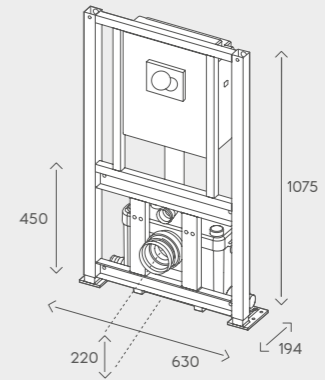


Why choose this product?

- Concealed unit ideal for use with built-in bathroom furniture
- Ideal for wall-hung WCs
- Built in frame system
- Integrated dual flush cistern
- Adjustable feet allows variable heights of pan
- Two side inlets
- Flush plate included



Mounting centres for WC pan are 180-230mm



Discharge Pipework
22/32 mm

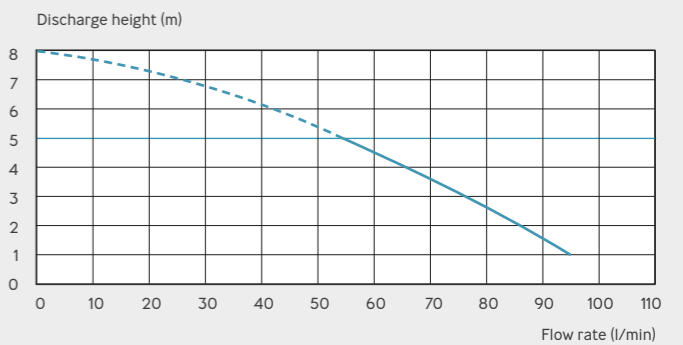
Motor Power
400 Watts

Voltages
220-240 V/50 Hz

Working Waste Water Temp
35°C

Product Weight
15kg

IP Rating
IP44



SANIVITE®

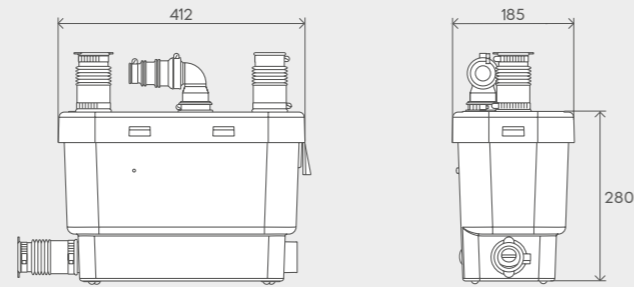
Product Ref: 1004

Ideally suited to a kitchen or utility room, Sanivite's powerful pump has four inlets for connection to domestic sinks or appliances. With compact dimensions, Sanivite can be concealed in a kitchen unit or behind a demountable panel to give access for servicing.



Why choose this product?

- Ideal for hot, soapy water
- Four inlets
- Powerful, quiet pump
- Compact for concealed installation



Discharge Pipework
32 mm

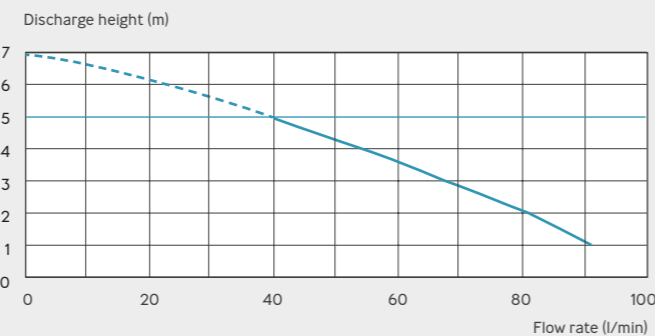
Motor Power
400 Watts

Voltages
220-240 V/50 Hz

Working Waste Water Temp
35°C max 60°C

Product Weight
6.4kg

IP Rating
IP44



SANISHOWER®

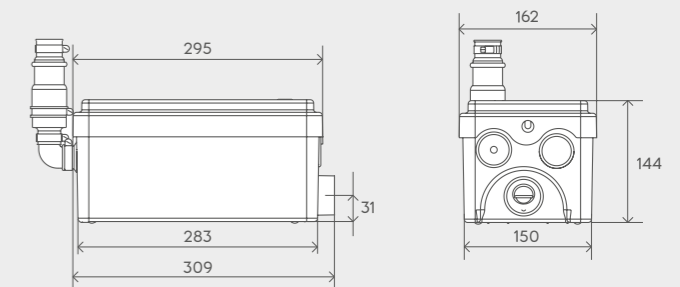
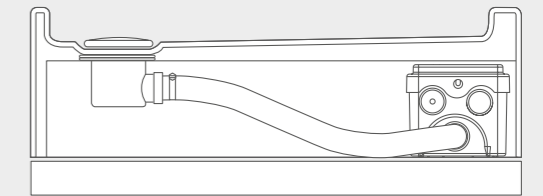
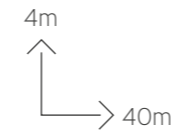
Product Ref: 1043/2

The Sanishower can be installed next to or underneath a shower tray with access for maintenance. Capable of pumping a standard electric or gravity mixer shower. Two inlets mean a wash basin can be added too.



Why choose this product?

- Overcomes gravity drainage issues
- Allows basement showers
- Can be fitted under or next to shower tray
- Additional inlet for basin



Discharge Pipework
22/32 mm

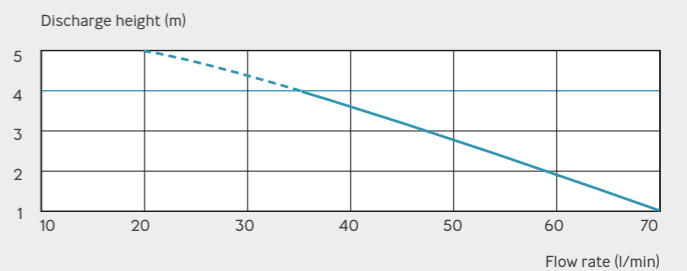
Motor Power
250 Watts

Voltages
220-240 V/50 Hz

Working Waste Water Temp
35°C

Product Weight
3.5kg

IP Rating
IP44



SANISHOWER® FLAT

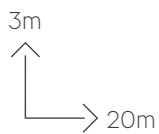
Product Ref: 1043/3

Ideal pumping solution for a low level shower tray. Capable of pumping a standard electric or gravity mixer shower. Two inlets mean a wash basin can be added too.



Why choose this product?

- Suits low-level shower trays of 80mm and over
- Overcomes gravity drainage issues
- Allows basement showers
- Additional inlet for basin
- Two part kit with Sanishower pump plus gully and waste
- Low level activation



SANIFLOOR®

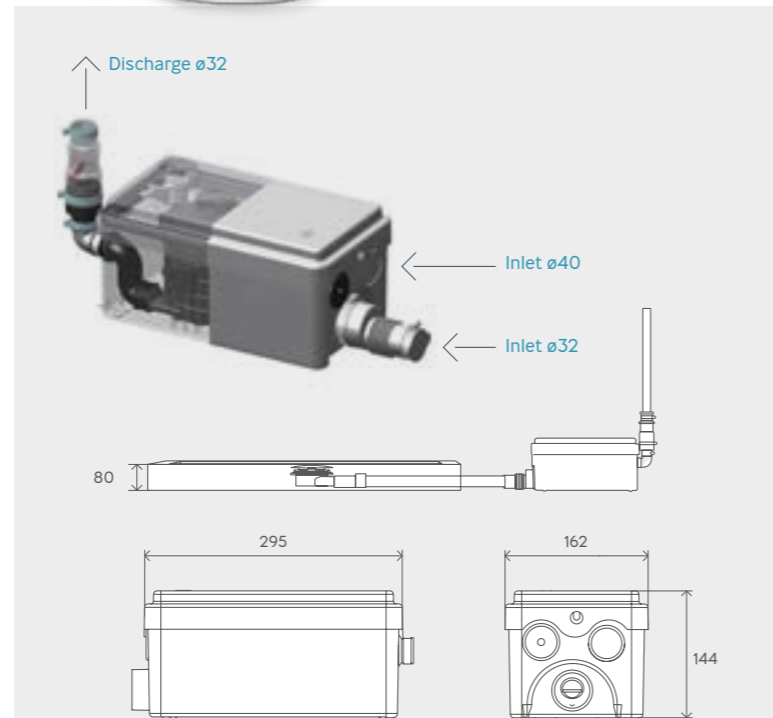
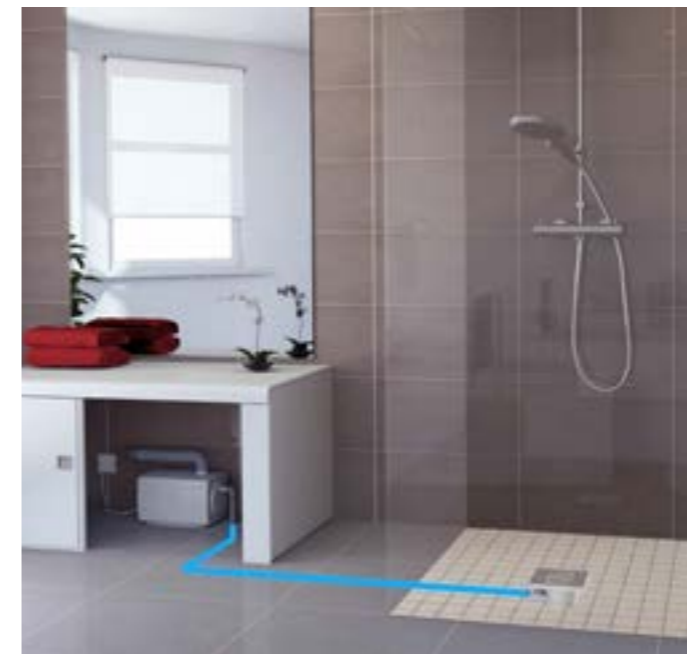
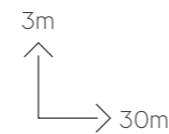
Product Ref: 1154/1155/1156

Designed specifically where floor drainage is required but where space underneath is very limited e.g. wet rooms. This two part kit with a powerful shower waste pump and a choice of three waste designs can pump up to 3m vertically as well as 30m horizontally. Higher flow rate means it can be used with powerful 'rain head' showers.

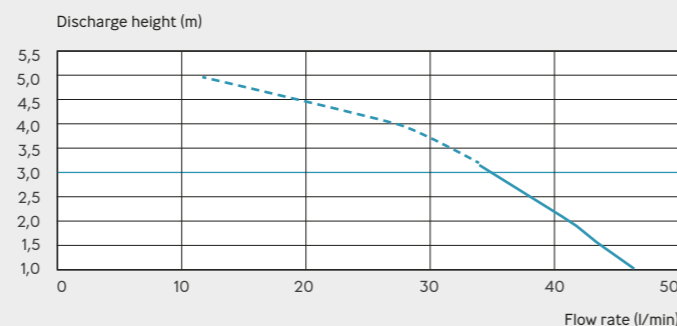


Why choose this product?

- Suits wet rooms and low level shower trays
- Ideal for high flow applications
- Pump and waste inlet can be up to 3m apart horizontally
- Dual function - sucks waste up from the gully and pumps waste water away up to 3m vertically or 30m horizontally
- Pump can be sited up to 300mm above the gully
- All gully types are 90mm in diameter

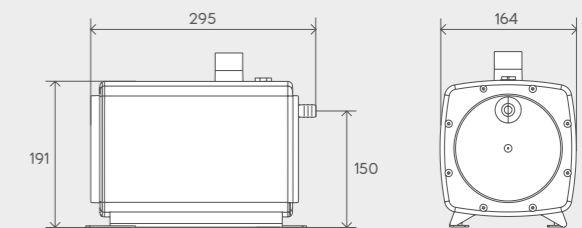


Discharge Pipework 22/32 mm	Working Waste Water Temp 35°C
Motor Power 250 Watts	Product Weight 3.7kg
Voltages 220-240 V/50 Hz	IP Rating IP44

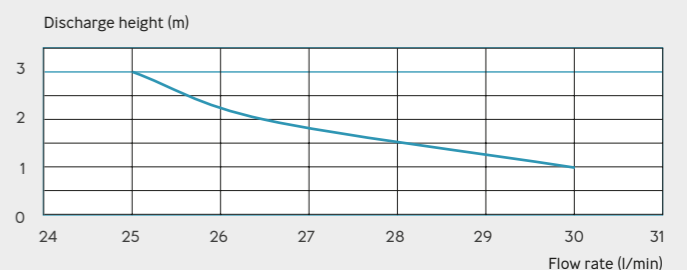


Gully Types

- 1 Ref 1154: With shower waste for tiled floor - Height 68mm
- 2 Ref 1155: With shower waste for vinyl floor - Height 68mm
- 3 Ref 1156: With shower waste for trays - Height 63mm



Discharge Pipework 32 mm	Flow rates 25 Litres
Motor Power 400 Watts	Product Weight Sanifloor 1 - 7.9kg Sanifloor 2 - 7.9kg Sanifloor 3 - 7.7kg
Voltages 220-240 V/50 Hz	IP Rating IP44
Working Waste Water Temp 35°C	



TRAYMATIC® INTERIOR

Product Ref: 1140/1141/1142

This low profile shower tray is equipped with an integrated wastewater pump, making it an ideal solution for installing a shower almost anywhere with minimal disruption, as no excavation is required. Tray height is only 46mm for easy access.

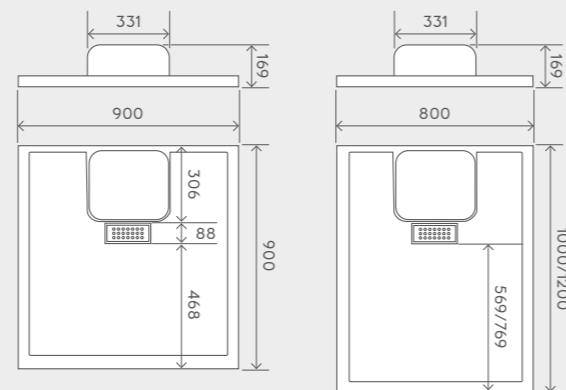


Why choose this product?

- Low level shower tray for ease of access for the less abled
- Integrated waste water pump
- Minimal disruption
- Maximises options for shower location
- No excavation required

TRAYMATIC® Interior

Ref 1141 - 1000 x 800 x 50 mm
 Ref 1142 - 900 x 900 x 50 mm
 Ref 1143 - 1200 x 800 x 50 mm



Discharge Pipework
32 mm

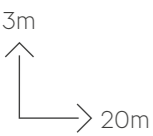
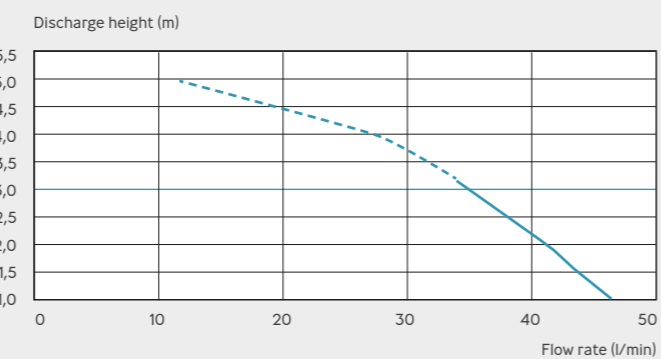
Motor Power
250 Watts

Voltages
220-240 V/50 Hz

Working Waste Water Temp
35°C

Product Weight
3.5kg (pump only)

IP Rating
IP44



Traymatic shown with ramps. These are available separately

TRAYMATIC® EXTERIOR

Product Ref: 1143/1144/1145

This low profile shower tray is equipped with an external wastewater pump, making it an ideal solution for installing a shower almost anywhere with minimal disruption, as no excavation is required. Tray height is only 46mm for easy access.

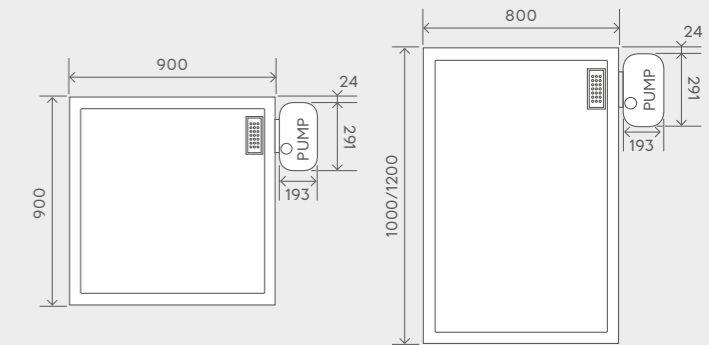


Why choose this product?

- Low level shower tray for ease of access for the less abled
- External waste water pump
- Minimal disruption
- Maximises options for shower location
- No excavation required

TRAYMATIC® Interior

Ref 1144 - 1000 x 800 x 50 mm
 Ref 1145 - 900 x 900 x 50 mm
 Ref 1146 - 1200 x 800 x 50 mm



Discharge Pipework
32 mm

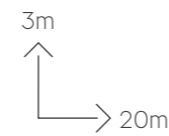
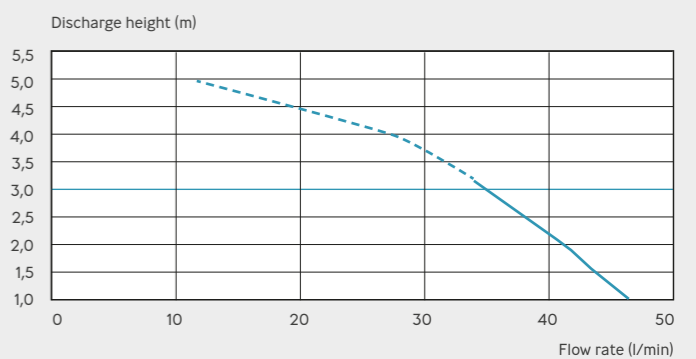
Motor Power
250 Watts

Voltages
220-240 V/50 Hz

Working Waste Water Temp
35°C

Product Weight
3.5kg (pump only)

IP Rating
IP44



Designed to provide easy access where just one WC is needed, convenient covers allow you to service and maintain the macerator without having to remove it.

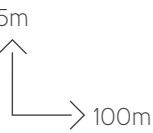
Suitable for new installations.




Why choose this product?

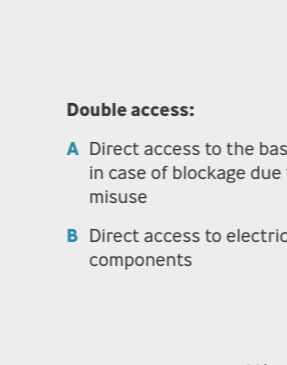
- Easy service access
- Suitable for one WC only
- Easy maintenance without removal of unit
- Suitable for new installations
- Quiet technology

Saniaccess 1 is primarily intended for new installations as the inlet and outlet positions vary from other Saniflo models.





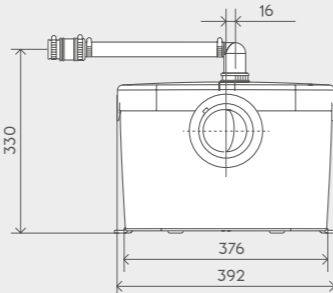
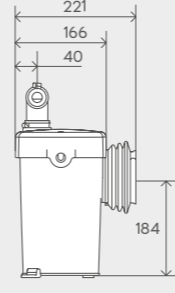
A



B

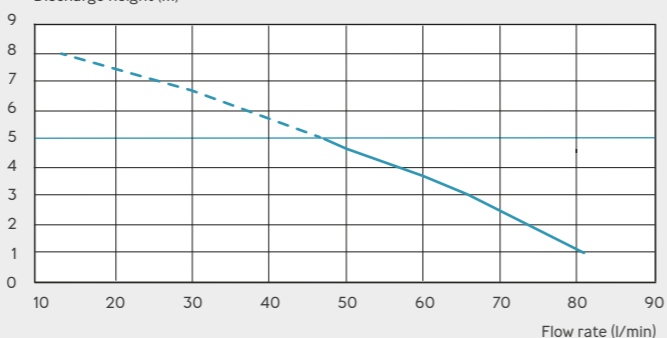
Double access:

- A** Direct access to the basket in case of blockage due to misuse
- B** Direct access to electric components

Discharge Pipework 22/28/32 mm	Working Waste Water Temp 35°C
Motor Power 400 Watts	Product Weight 5.8kg
Voltages 220-240 V/50 Hz	IP Rating IP44

Discharge height (m)



Flow rate (l/min)

Ideal for new cloakroom installations. The easy access covers allow you to service and maintain the macerator without having to remove it.

Suitable for new installations.




Why choose this product?

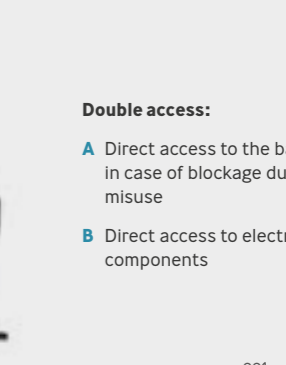
- Easy service access
- Suitable for cloakrooms e.g. WC & wash basin
- Easy maintenance without removal of unit
- Quiet technology
- Two high level side connection inlets

Saniaccess 2 is primarily intended for new installations as the inlet and outlet positions vary from other Saniflo models.





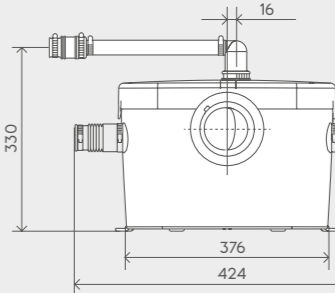
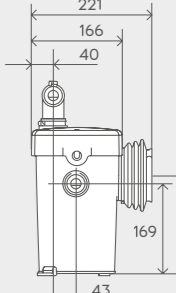
A



B

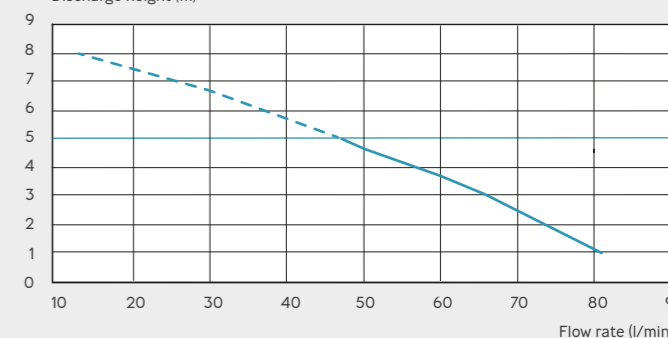
Double access:

- A** Direct access to the basket in case of blockage due to misuse
- B** Direct access to electric components

Discharge Pipework 22/28/32 mm	Working Waste Water Temp 35°C
Motor Power 400 Watts	Product Weight 5.8kg
Voltages 220-240 V/50 Hz	IP Rating IP44

Discharge height (m)



Flow rate (l/min)

Designed to provide easy access for en-suite bathroom applications, convenient covers allow you to service and maintain the macerator without having to remove it.

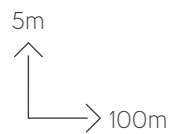
Suitable for new installations.



Why choose this product?

- Easy service access
- Suitable for ensuite e.g. WC, washbasin, shower and bidet
- Easy maintenance without removal of unit
- Suitable for new installations
- Quiet technology
- Two side inlets

Saniaccess 3 is primarily intended for new installations as the inlet and outlet positions vary from other Saniflo models.



Double access:

- A** Direct access to the basket in case of blockage due to misuse
- B** Direct access to electric components

Discharge Pipework 22/28/32 mm	Working Waste Water Temp 35°C
Motor Power 400 Watts	Product Weight 6.4kg
Voltages 220-240 V/50 Hz	IP Rating IP44

Discharge height (m)

Flow rate (l/min)	Discharge height (m)
10	8.0
20	7.5
30	7.0
40	6.5
50	6.0
60	5.5
70	5.0
80	4.5
90	4.0

Designed to provide easy access for greywater pumping applications such as kitchens and utility rooms, convenient covers allow simple service and maintenance of the pump without having to remove it.

Suitable for new installations.



Why choose this product?

- Easy service access
- Suitable for grey water
- Easy maintenance without removal of unit
- Suitable for new installations
- Quiet technology
- Two side inlets and optional top inlet

Saniaccess Pump is primarily intended for new installations as the inlet and outlet positions vary from other Saniflo models.



Double access:

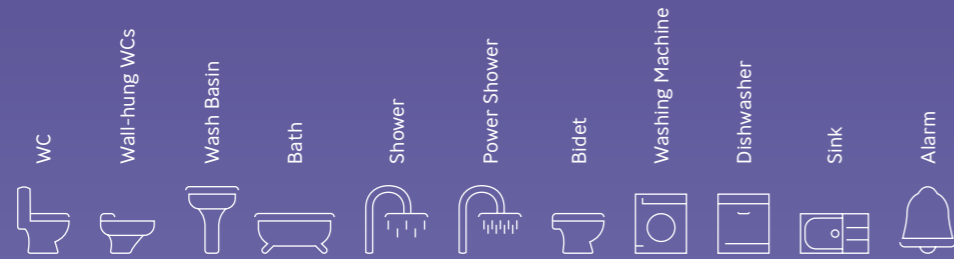
- A** Direct access to the basket in case of blockage due to misuse
- B** Direct access to electric components

Discharge Pipework 32 mm	Working Waste Water Temp 75°C
Motor Power 400 Watts	Product Weight 6.4kg
Voltages 220-240 V/50 Hz	IP Rating IP44

Discharge height (m)

Flow rate (l/min)	Discharge height (m)
10	8.0
20	7.5
30	7.0
40	6.5
50	6.0
60	5.5
70	5.0
80	4.5
90	4.0

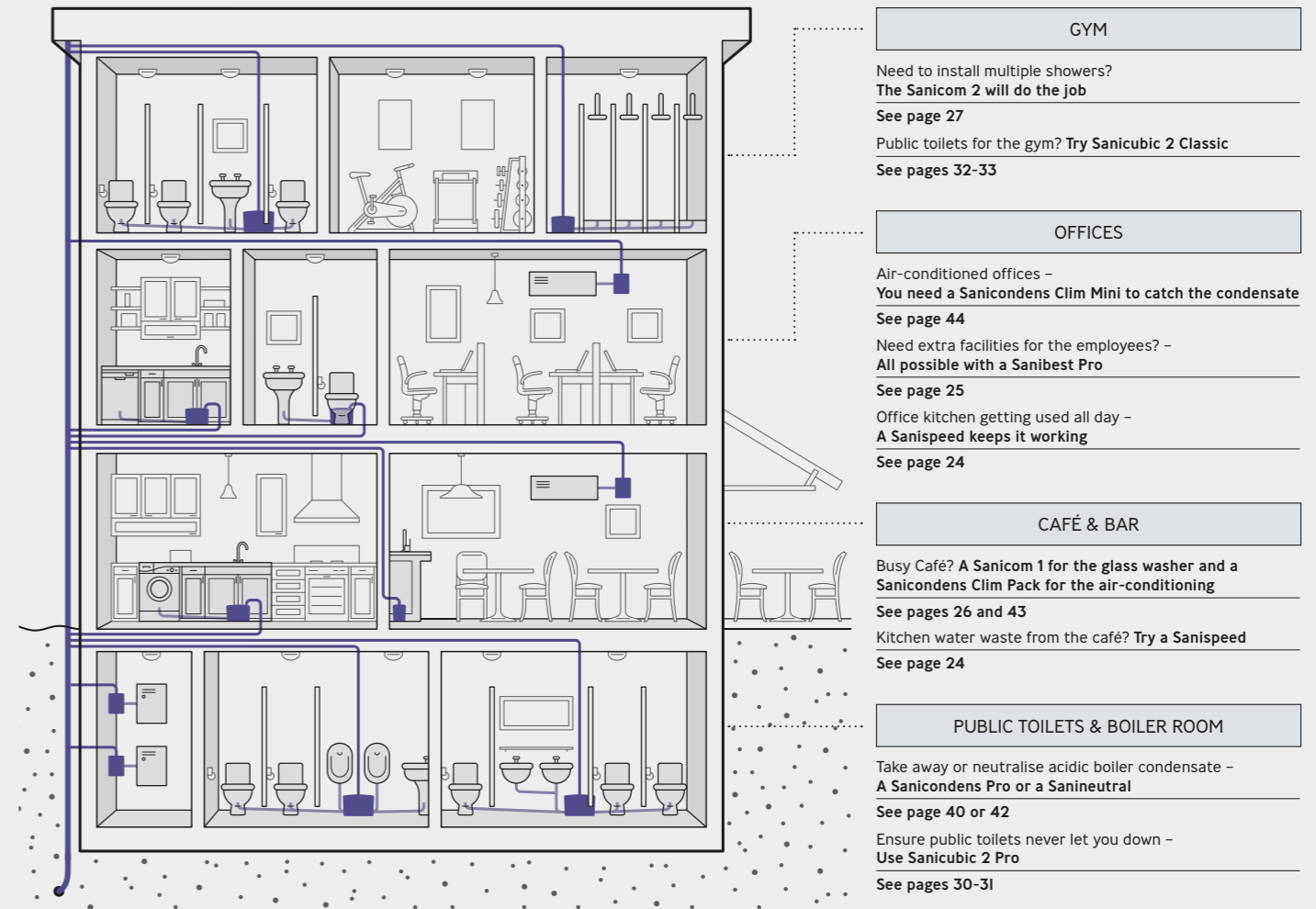
PROFESSIONAL



Products suitable for a whole variety of applications
(Just refer to each of the product keys on the relevant pages)



Maximum pumping distances are shown for each product by use of the symbol above. It shows the maximum vertical pumping height and the maximum horizontal pumping distance, but a lesser combination of the two measurements is applicable.



Professional

Tough conditions require tough products and the Saniflo professional range now has 8 products that are robust enough to perform in some of the most demanding situations.

Having manufactured Saniflo products for over 55 years, no other manufacturer has the years of experience and expertise to produce such a comprehensive range of units for commercial applications.

Think of the possibilities...

SANISPEED®

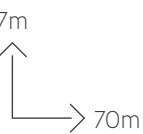
Product Ref: 1045

Ideal for light commercial environments such as small shops, cafés, offices, bars and dental surgeries where grey waste water needs to be disposed of. Sanispeed® deals with grey water from a shower, basin, bath, bidet, washing machine, dishwasher and sink.



Why choose this product?

- Ideal for light commercial applications
- Robust motor
- Four inlets – two side entries and two cover entries
- Working temperature of 35°C.
Will handle up to 75°C for short periods
- Meets European standard EN12050-2



SANIBEST® Pro

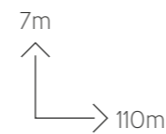
Product Ref: 1053

Sanibest® Pro is a heavy duty macerator suitable for heavy usage public or commercial environments. Handles connection to a WC, basin, bidet and shower.



Why choose this product?

- Ideal for heavy usage applications
- Three inlets – two side entries and one cover entry
- Working temperature of 35°C.
Will handle up to 90°C for short periods
- Meets European standard EN12050-3



Inlet Ø40, Outlet Ø32, Inlet Ø40, Inlet Ø40, Inlet Ø40

373, 267, 98, 185, 46, 319, 260, 40, 412, Ø40

Discharge Pipework 32mm	Working Waste Water Temp 35°C/Max 75°C (intermittent)
Motor Power 400 Watts	Product Weight 6.4kg
Voltages 220-240 V/50 Hz	IP Rating IP44

Discharge height (m)

Flow rate (l/min)	Discharge height (m)
20	7.5
40	6.5
60	5.5
80	4.5
100	3.5
120	2.5

507, 252, 255, 267, 204, 154, 184

Discharge Pipework 22/32mm	Working Waste Water Temp 35°C
Motor Power 1100 Watts	Product Weight 35kg
Voltages 220-240 V/50 Hz	IP Rating IP44

Discharge height (m)

Flow rate (l/min)	Discharge height (m)
70	7.5
80	6.5
90	5.5
100	4.5
110	3.5
120	2.5
130	1.5
140	0.5
150	0

SANICOM® 1

Product Ref: 1046

Sanicom® 1 is an automatic, powerful lifting station for grey water used in busy commercial environments. Suitable for multiple connections including a basin, bath, shower, bidet, sink, dishwasher and washing machine.

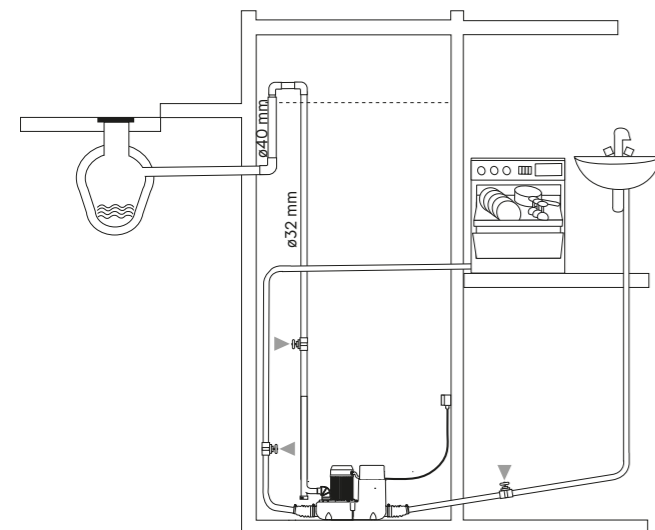


Why choose this product?

- Ideal for commercial applications e.g. cleaning and catering sinks
- Heavy duty, safe, reliable pump
- Unit operates automatically
- Two 40mm side entries and air vent/connection to exterior
- Working temperature of 35°C. Will handle up to 90°C for short periods

8m
80m

Connection to soil and vent pipe or drain



SANICOM® 2

Product Ref: 1046/2

Identical to Sanicom® 1 but features two powerful motors where the second motor is a failsafe back-up to ensure that you always have continuity of service for your business.

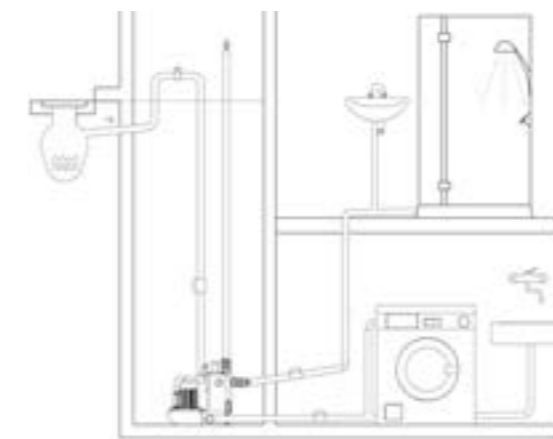


Why choose this product?

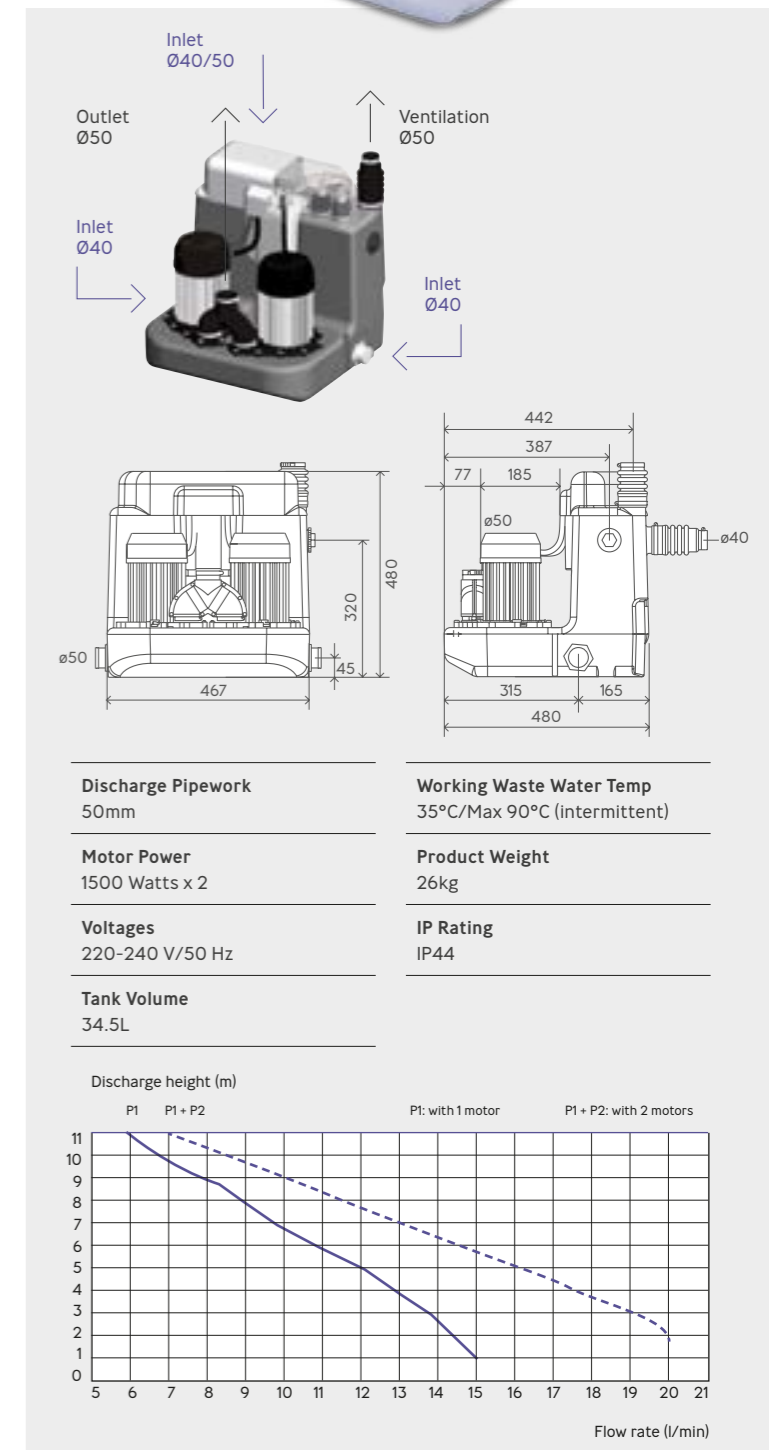
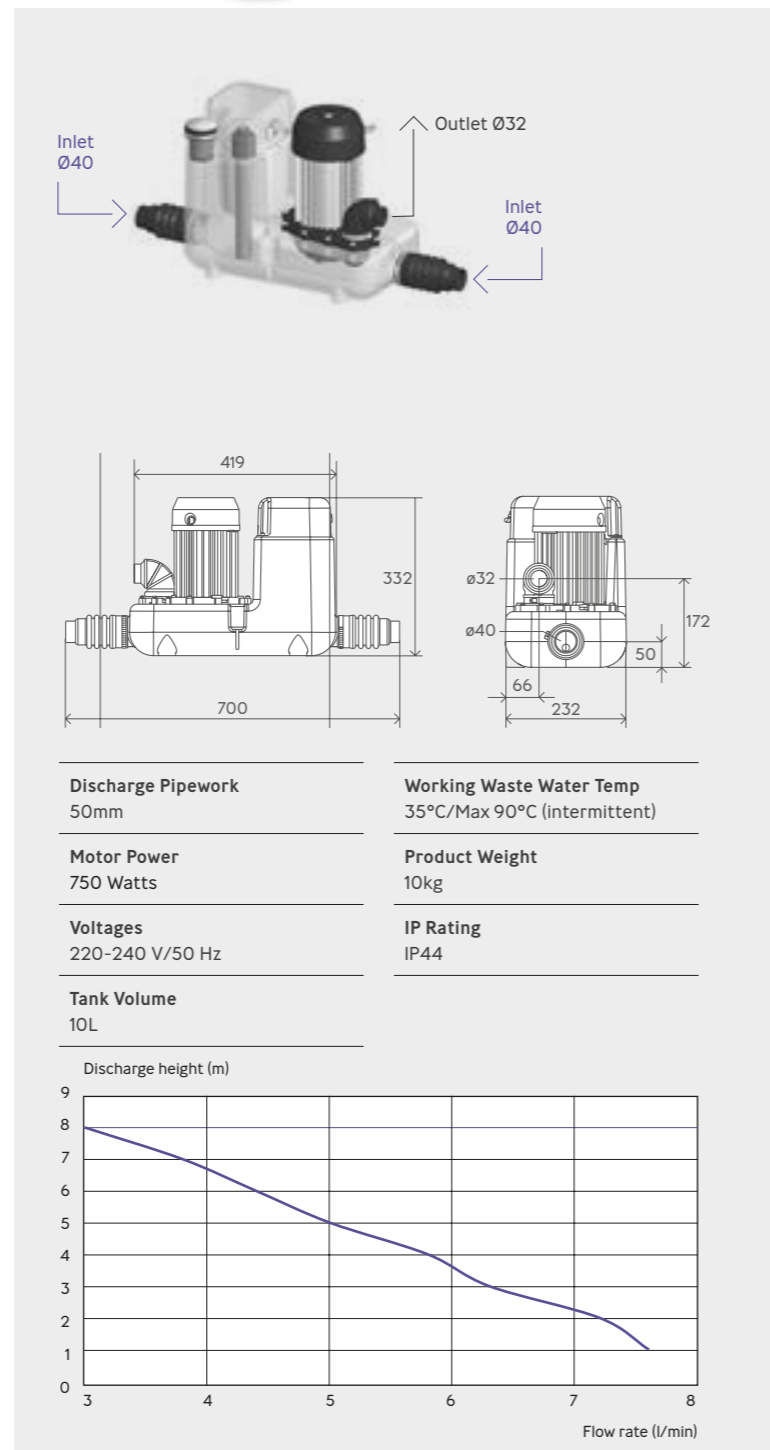
- Ideal for heavy commercial applications
- Safe, reliable pump plus backup motor
- Unit operates automatically
- Two 40mm side entries and air vent/connection to exterior
- Working temperature of 35°C. Will handle up to 90°C for short periods
- External hard-wired alarm

11m
110m

Connection to soil and vent pipe or drain



External hard-wired audio visual alarm (3m cable).



SANICUBIC® 1

Product Ref: 1102/1

The Sanicubic® 1 is a robust macerator pump that has been designed for the discharge of waste from up to two WCs plus multiple grey water producing appliances in busy business environments and larger domestic situations.



Why choose this product?

- Ideal for busy business environments and larger domestic situations
- Tough, reliable macerator pump
- External hard wired audio visual alarm
- Features integrated non-return valves
- Working temperature of 35°C
Will handle up to 70°C for short periods
- IP67 rated
- Cannot be connected to a Building Management System

Note: Isolation valves must be fitted to the inlet pipework and discharge pipework to isolate the unit in case of the need for service – see page 49



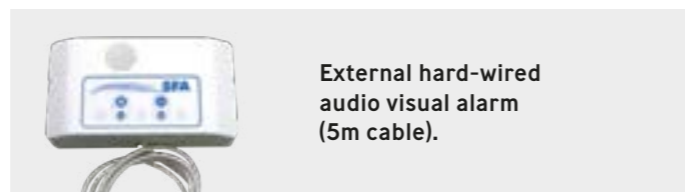
The Sanicubic tank is fitted with 2 dip tubes; one tube controls motor operation and the other controls the alarm system:

- Long pickup tube (normal operation): as soon as the waste water level in the tank reaches the triggering point in the long tube, the pumping system starts up.
- Short pickup tube (inflow overload operation): if the waste water level in the tank reaches the upper point, a contact is closed and the auxiliary pumping system is triggered. The contact also sets off an audible and visual alarm.

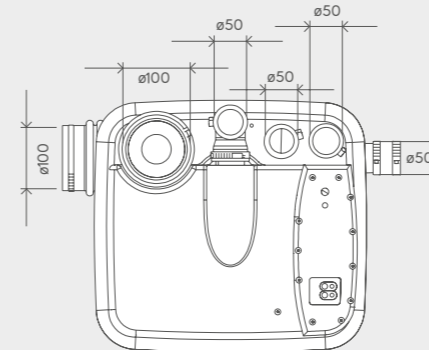
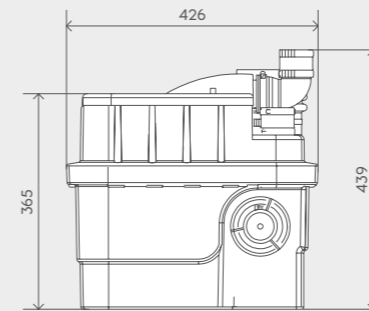
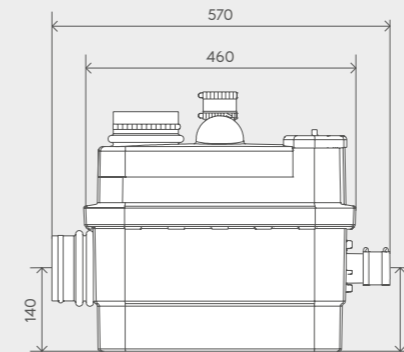
IP Ratings

IP or "Ingress Protection" ratings specify the environmental protection that the product casing provides and are defined by international standards. They are used to explain levels of sealing effectiveness of electrical enclosures against intrusion from foreign bodies e.g. dust, dirt and moisture.

Sanicubic 1 has rating IP67 which gives protection against temporary immersion in water.



Discharge Pipework 50mm	Tank Volume 32L
Motor Power 1500 Watts	Working Waste Water Temp 35°C/Max 70°C (intermittent)
Flow Rate 12m³/h	Product Weight 16kg
Voltages 220-240 V/50 Hz	IP Rating IP67



External hard-wired audio visual alarm



SANICUBIC® 2 Pro

Product Ref: 1102

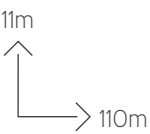
The Sanicubic® 2 Pro is a high performance macerating pump for commercial use. Contains two separate, load balanced pumps with high performance macerating systems and will operate alternately. In the event of inflow overload, both motors run at the same time, or in the unlikely event that one motor fails, the other one will take over.



Why choose this product?

- Ideal for busy commercial situations where business continuity is important
- Load balanced twin macerator pumps for a failsafe system
- Alternate activation ensures even wear of motors
- Two alarms for ultimate safety – hard-wired alarm plus remote wireless alarm
- IP68 rated
- Can be connected to a Building Management System.

Note: Isolation valves must be fitted to the inlet pipework and discharge pipework to isolate the unit in case of the need for service – see page 49



The Sanicubic tank is fitted with 2 dip tubes; one tube controls motor operation and the other controls the alarm system:

- Long pickup tube (normal operation): as soon as the waste water level in the tank reaches the triggering point in the long tube, the pumping system starts up.
- Short pickup tube (inflow overload operation): if the waste water level in the tank reaches the upper point, a contact is closed and the auxiliary pumping system is triggered. The contact also sets off an audible and visual alarm.

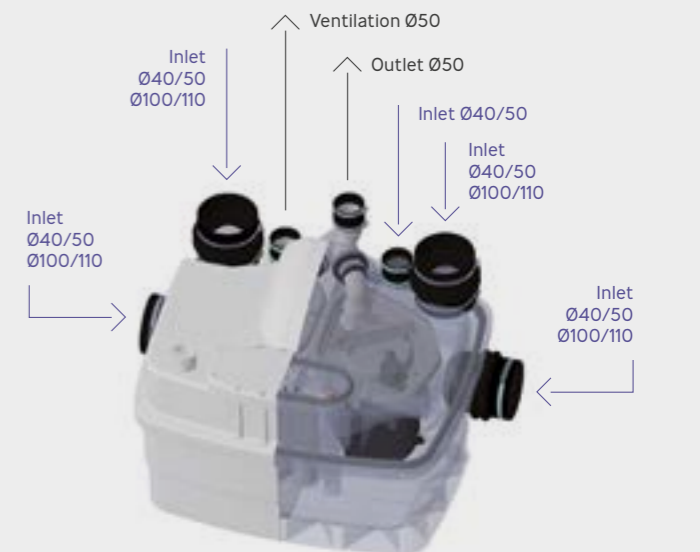
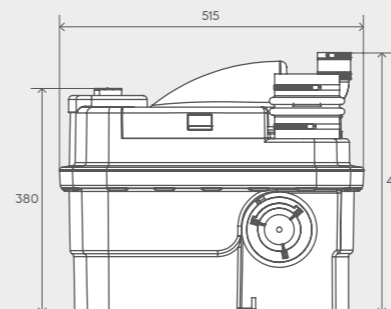
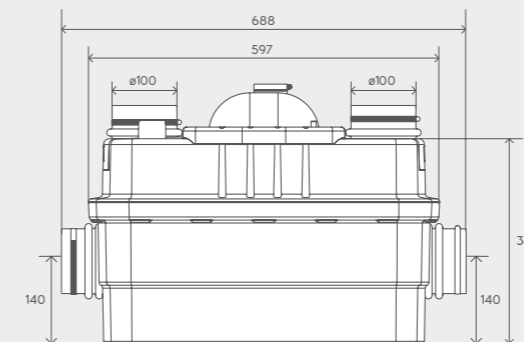
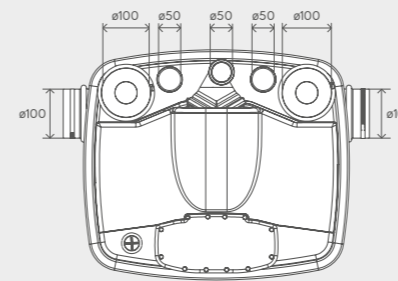
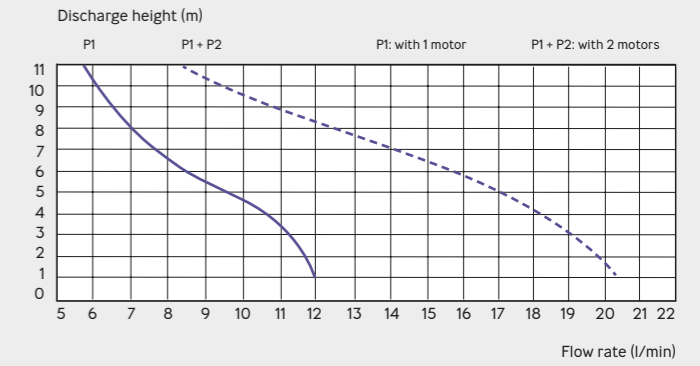
IP Ratings

IP or "Ingress Protection" ratings specify the environmental protection that the product casing provides and are defined by international standards. They are used to explain levels of sealing effectiveness of electrical enclosures against intrusion from foreign bodies e.g. dust, dirt and moisture.

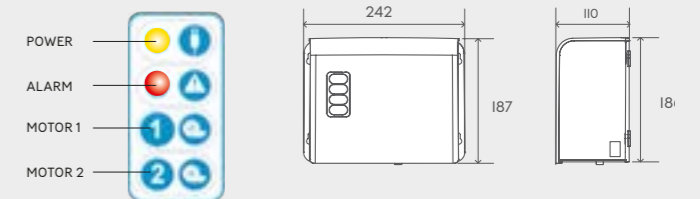
Sanicubic 2 Pro has rating IP68 which gives protection against continuous submersion in water



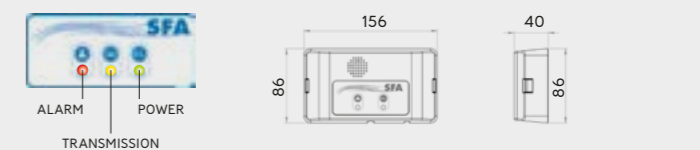
Discharge Pipework 50mm	Tank Volume 45L
Motor Power 1500 Watts x 2	Working Waste Water Temp 35°C/Max 70°C (intermittent)
Flow Rate 12m³/h	Product Weight 30kg
Voltages 220-240 V/50 Hz	IP Rating IP68



Externally mounted control box



Remote wireless alarm



SANICUBIC® 2 Classic

Product Ref: 1139

The Sanicubic® 2 Classic contains two separate, load balanced pumps with high performance macerating systems and will operate alternately. In the event of inflow overload, both motors run at the same time, or in the unlikely event that one motor fails, the other one will take over.



Why choose this product?

- Ideal for busy commercial situations where business continuity is important
- Load balanced twin macerator pumps for a failsafe system
- Alternate activation ensures even wear of motors
- Two alarms for ultimate safety – both hard-wired
- IP68 rated
- Can be connected to a Building Management System

Note: Isolation valves must be fitted to the inlet pipework and discharge pipework to isolate the unit in case of the need for service – see page 49



The Sanicubic tank is fitted with 2 dip tubes; one tube controls motor operation and the other controls the alarm system:

- Long pickup tube (normal operation): as soon as the waste water level in the tank reaches the triggering point in the long tube, the pumping system starts up.
- Short pickup tube (inflow overload operation): if the waste water level in the tank reaches the upper point, a contact is closed and the auxiliary pumping system is triggered. The contact also sets off an audible and visual alarm.

IP Ratings

IP or "Ingress Protection" ratings specify the environmental protection that the product casing provides and are defined by international standards. They are used to explain levels of sealing effectiveness of electrical enclosures against intrusion from foreign bodies e.g. dust, dirt and moisture.

Sanicubic 2 Classic has rating IP68 which gives protection against continuous submersion in water.



Discharge Pipework
50mm

Motor Power
1500 Watts x 2

Flow Rate
12m³/h

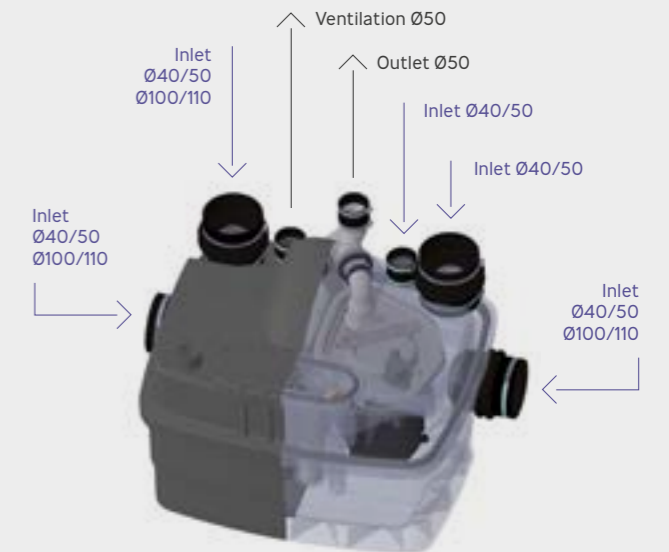
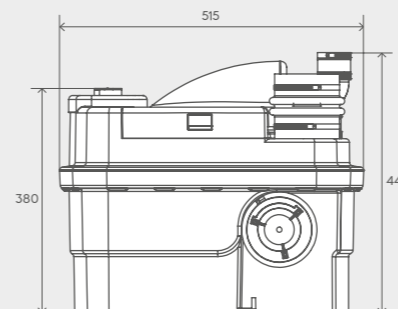
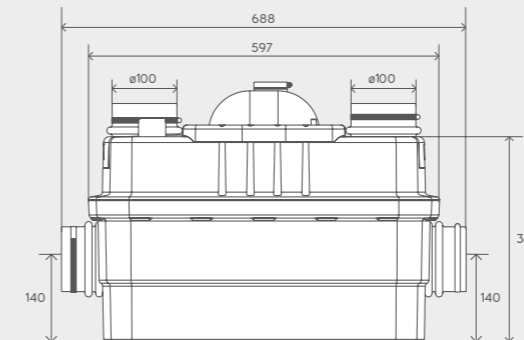
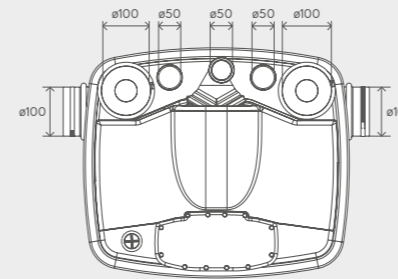
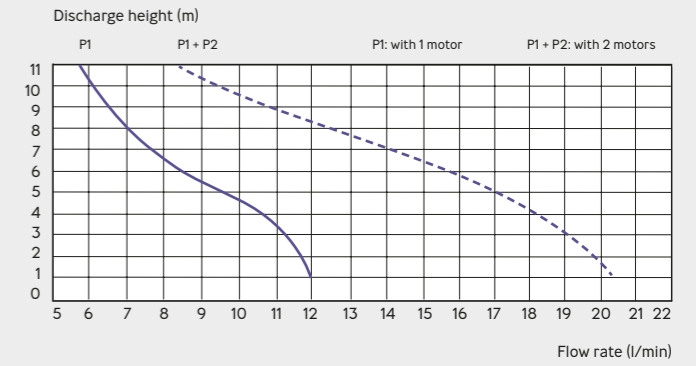
Voltages
220-240 V/50 Hz

Tank Volume
45L

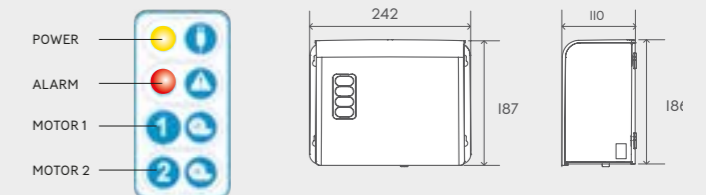
Working Waste Water Temp
35°C/Max 70°C (Intermittent)

Product Weight
30kg

IP Rating
IP68



Externally mounted control box



Remote hard-wired audio visual alarm



SANICUBIC® XL

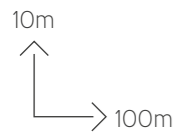
Product Ref: 1102/2

The Sanicubic® XL is our largest lifting station for commercial use handling up to 40m³/hour of grey water via two 2kW pumps. It is easy to install as it stands on the floor and does not need to be positioned below ground.



Why choose this product?

- Ideal for large volume commercial situations
- Large 120 litre tank volume
- Easy to install – no need to excavate
- Two alarms for ultimate safety – both hard-wired
- Two integrated non-return valves and four inlets: 40/50/100/110mm and one inlet 40/50mm
- IP68 rated
- Volt free contact for connection to a Building Management System



IP Ratings

IP or "Ingress Protection" ratings specify the environmental protection that the product casing provides and are defined by international standards. They are used to explain levels of sealing effectiveness of electrical enclosures against intrusion from foreign bodies e.g. dust, dirt and moisture.

Sanicubic XL has rating IP68 which gives protection against continuous submersion in water.



Includes hard-wired alarm on externally mounted control box plus secondary hard-wired audio visual alarm with 5m cable, so it can be placed remotely.

Discharge Pipework
80 or 100mm

Motor Power
2000 Watts x 2

Flow Rate
40m³/h

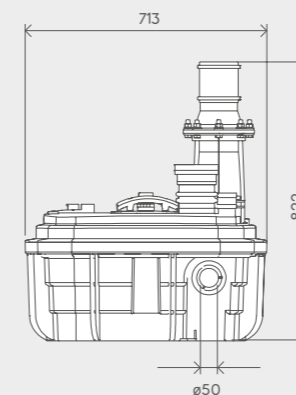
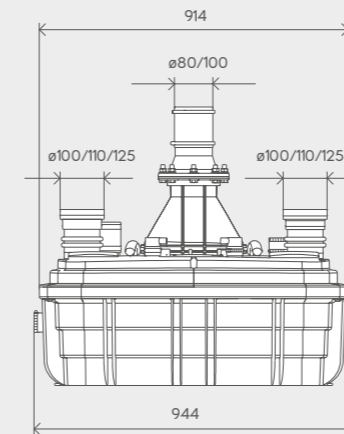
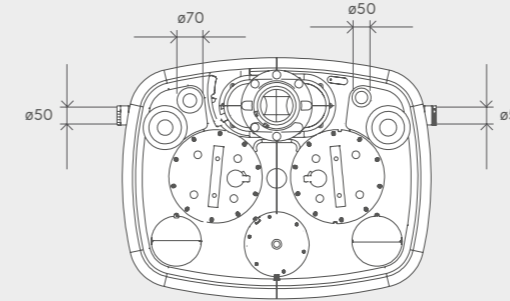
Voltages
220-240 V/50 Hz

Tank Volume
120L

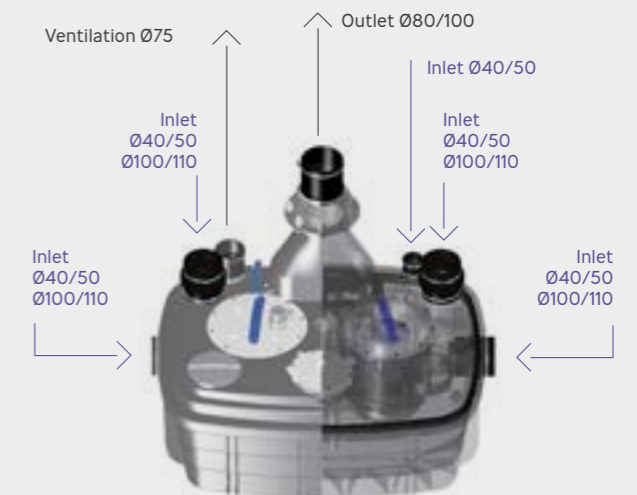
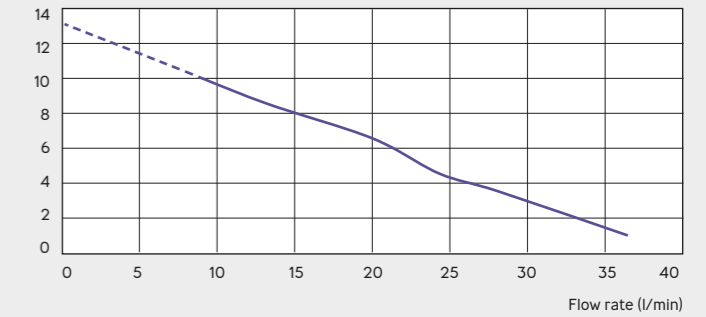
Working Waste Water Temp
35°C/Max 70°C (Intermittent)

Product Weight
55kg

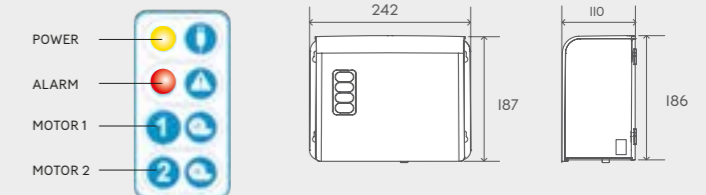
IP Rating
IP68



Discharge height (m)



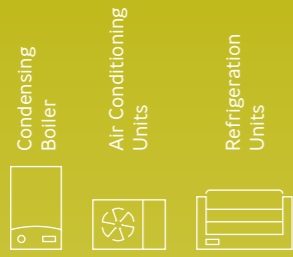
Externally mounted control box



Remote hard-wired audio visual alarm



SANICONDENS



Products suitable for a whole variety of applications
(Just refer to each of the product keys on the relevant pages)



Maximum pumping distances are shown for each product by use of the symbol above. It shows the maximum vertical pumping height and the maximum horizontal pumping distance, but a lesser combination of the two measurements is applicable.

Sanicondens

Designed by the experts at Saniflo, the Sanicondens range consists of 7 products specifically for the disposal and treatment of acidic waste from condensing boilers, air conditioning units, dehumidifiers and refrigeration units.

SANICONDENS® Best

Product Ref: 1082/2

The Sanicondens® Best is specifically designed for disposal of acidic concentrate from boilers and other water producing equipment such as air conditioning units, refrigeration units and dehumidifiers etc. Incorporates a pH neutralising granule tray and includes a non-return valve and 6m flexible discharge pipe.



Why choose this product?

- Designed to dispose of acidic condensate
- 2 litre tank
- Integrated pH neutralising granule tray
- Four entry points
- Working temperature of 35°C.
Will handle temperatures up to 80°C for short periods and a minimum pH of 2.5

4.5m
50m

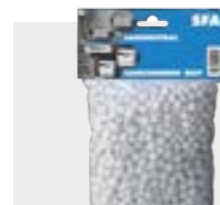


Sanicondens Best

The tank of the Sanicondens Best has a float which controls the pump. When the condensate gathers in the tank the pump is activated. The product has its own neutralization tray to adjust the pH of the acidic water from the condensing boiler. Sanicondens Best is also fitted with a second float that can control an alarm.

Accessories supplied with the product:

Non-return valve, wall fixing kit, 2 inlet adaptors, connection for an alarm, 2 metres of electric cable, 6 metres of drainage pipe.



Replacement neutralising granule packs available.

Discharge Pipework
8mm

Motor Power
60 Watts

Flow Rate
342L/h

Voltages
220-240 V/50 Hz

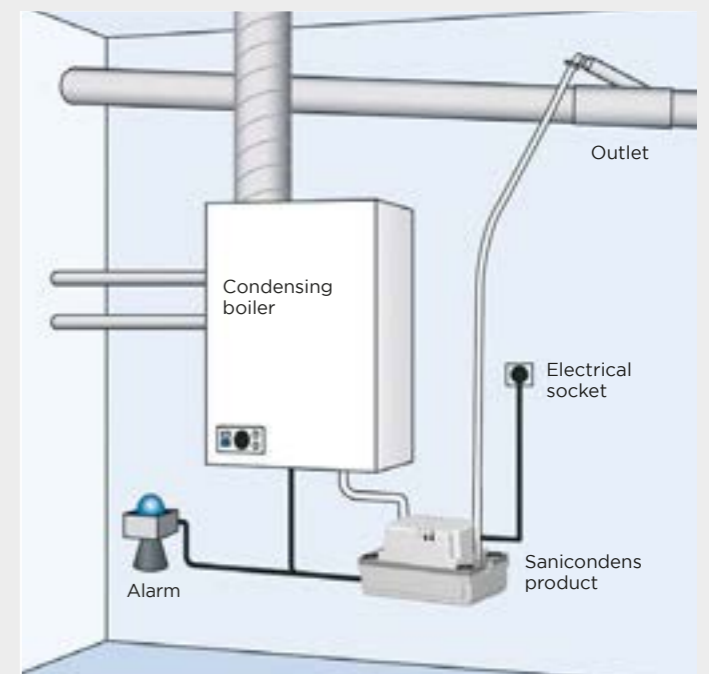
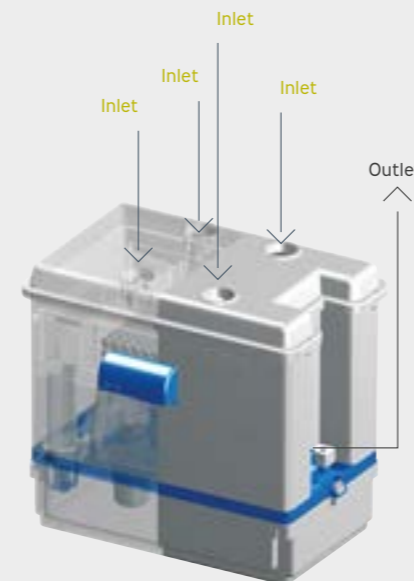
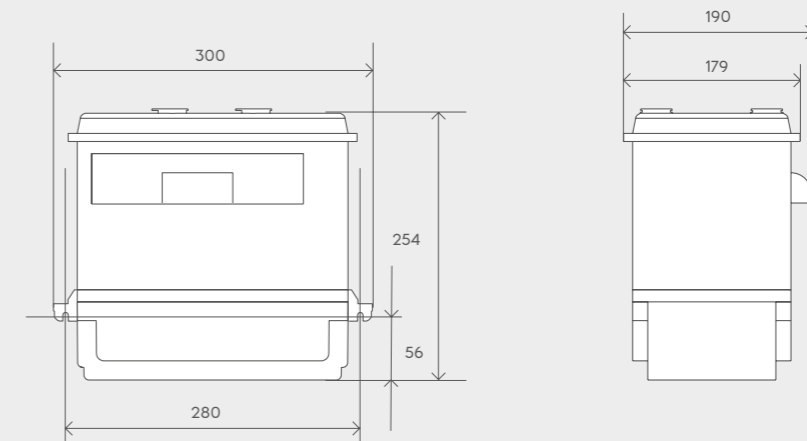
Tank Volume
2L

Working Waste Water Temp
35°C/Max 80°C (intermittent)

Product Weight
2.6kg

IP Rating
IP20

Discharge height (m)



SANICONDENS® Pro

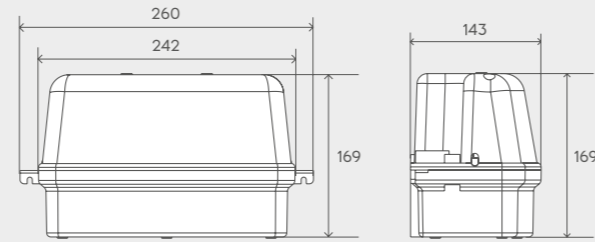
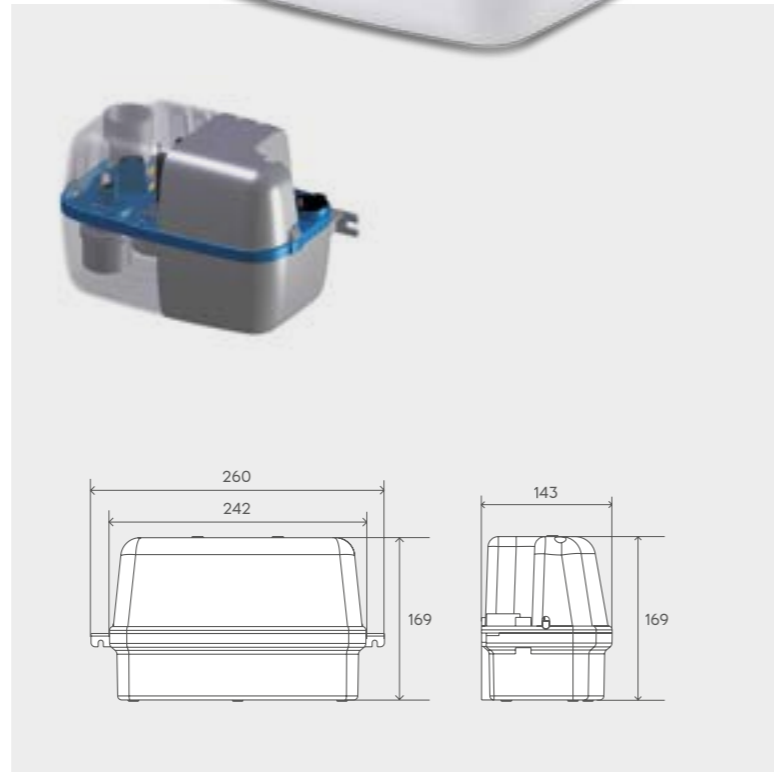
Product Ref: 1082/5

The Sanicondens® Pro is specifically designed for disposal of acidic concentrate from boilers and other water producing equipment such as air conditioning units refrigeration units and dehumidifiers etc. Includes a non-return valve and 6m flexible discharge pipe. Similar to Sanicondens® Best, but for use where a neutralising tray is not required.

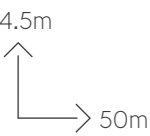


Why choose this product?

- Designed to dispose of acidic condensate
- 2 litre tank
- Four entry points
- Working temperature of 35°C.
Will handle temperatures up to 80°C for short periods and a minimum pH of 2.5



Discharge Pipework 8/11mm	Tank Volume 2L
Motor Power 60 Watts	Working Waste Water Temp 35°C/Max 80°C (intermittent)
Flow Rate 342L/h	Product Weight 2kg
Voltages 220-240 V/50 Hz	IP Rating IP20



SANICONDENS® Eco

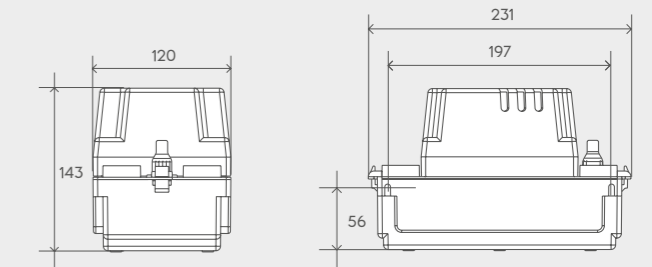
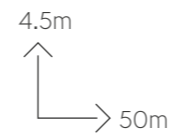
Product Ref: 1133

The Sanicondens® Eco is specifically designed for disposal of acidic concentrate from boilers and other water producing equipment such as air conditioning units refrigeration units and dehumidifiers etc. Similar to Sanicondens Best®, but has a smaller tank capacity.

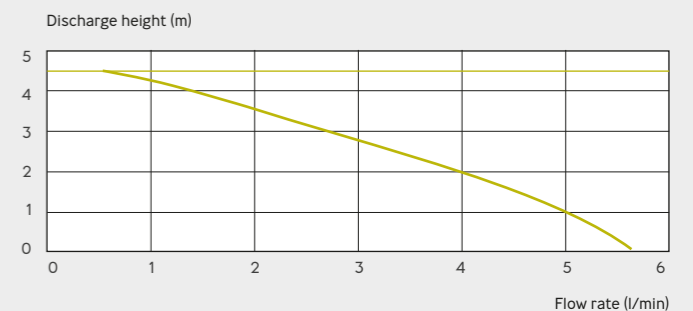


Why choose this product?

- Designed to dispose of acidic condensate
- 1 litre tank
- Four entry points
- Working temperature of 35°C.
Will handle temperatures up to 80°C for short periods and a minimum pH of 2.5
- For use where a neutralising tray is not required
- Supplied with 2m of electric cable and 6m of drainage pipe



Discharge Pipework 8/11mm	Tank Volume 1L
Motor Power 60 Watts	Working Waste Water Temp 35°C/Max 80°C (intermittent)
Flow Rate 342L/h	Product Weight 1.3kg
Voltages 220-240 V/50 Hz	IP Rating IP20



SANINEUTRAL

Product Ref: 1082/4

The Sanineutral will neutralise the acidic condensate from a boiler before the waste is drained away, hence protecting pipework and the environment from damage. It works without a pump but can be placed in the pipework before a Sanicondens® Pro or Eco.



Why choose this product?

- Designed to neutralise the acidic concentrate from a boiler
- Suitable for condensing boilers up to 50kW
- Replaceable neutralising granule packs
- Easy maintenance and fits on the wall or floor
- Top or side entry options



SANICONDENS® Clim Pack

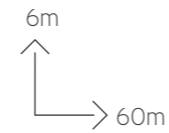
Product Ref: 1132

The Sanicondens® Clim Pack has been specifically designed to expel the condensate from air conditioning units. The pack contains the Clim Mini pump plus trimmable trunking for a neat finish.



Why choose this product?

- Designed for air conditioning units
- Supplied with trunking that can be trimmed to size
- Very quiet operation



Top view dimensions: 103 (width), 95 (height)

Side view dimensions: 285 (length), 88 (total height), 62 (bottom height), 40 (width)

Discharge Pipework 40mm	Tank Volume 1.2kg
Working Waste Water Temp 60°C	Product Weight 1.7kg



Dimensions: 122 (width), 80 (inlet width), 127 (outlet width), 84 (total height), 60 (inlet height), 62 (outlet height), Min 350 (height), Max 860 (height)

Inlet ø17

Discharge Pipework 8.5/10.5mm	Flow Rate 10L/h
Motor Power 19 Watts	Product Weight 4kg
Voltages 220-240 V/50 Hz	IP Rating IP64

Discharge height (m)

Flow rate (l/min)

SANICONDENS® Clim Mini

Product Ref: 1131

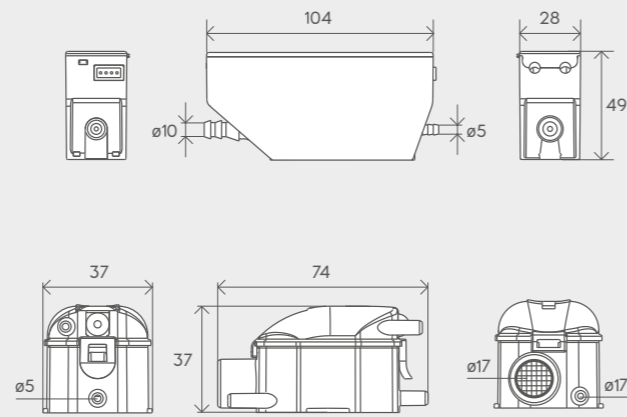
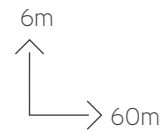
The Sanicondens® Clim Mini has been specifically designed to expel the condensate from air conditioning units.



Why choose this product?

- Designed for air conditioning units
- Very quiet operation

Why not use the Sanicondens Clim Pack to get a neat decorate finish? See page 43.



Discharge Pipework 8.5/10.5mm	Flow Rate 10L/h
Motor Power 19 Watts	Product Weight 3kg
Voltages 220-240 V/50 Hz	IP Rating IP64

Vertical suction in metres (A)	Vertical pumping in metres (B)	Horizontal pumping in metres (C)			
		5	10	20	30
0	1	10.4	9.1	8.3	7.3
	2	8.9	7.8	7.0	6.4
	3	7.9	7.1	6.3	5.8
	4	7.0	6.0	5.3	4.9
1	1	8.9	8.3	7.5	5.9
	2	7.8	7.3	6.7	6.1
	3	6.9	6.7	5.7	5.4
	4	5.9	5.5	4.9	4.4
1.5	1	7.8	7.6	6.9	6.5
	2	7.1	6.6	6.2	5.7
	3	6.5	5.7	5.1	4.8
	4	5.5	4.8	4.2	3.9

SANICONDENS® Clim Deco

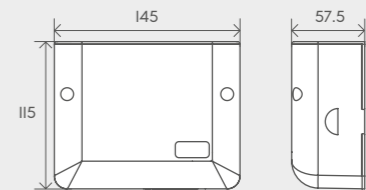
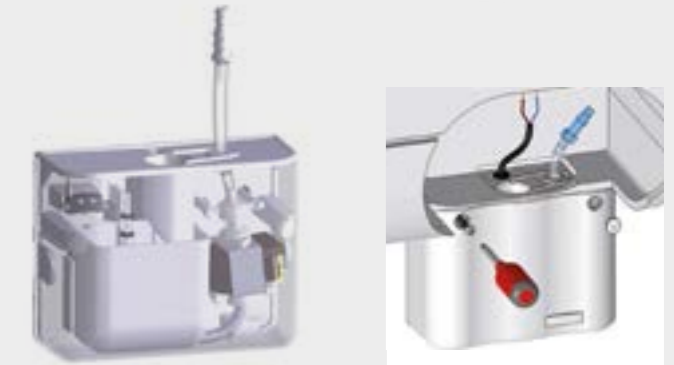
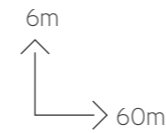
Product Ref: 1134

An easy to install, discrete pump to expel the condensate from air conditioning units and refrigeration units.

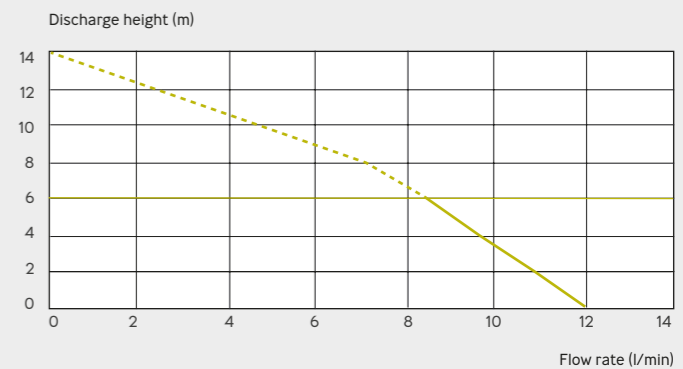


Why choose this product?

- Designed for air conditioning and refrigeration units
- Prevents dripping
- Very quiet operation
- Easy installation



Discharge Pipework 8/10mm	Flow Rate 12L/h
Motor Power 16 Watts	Product Weight 2kg
Voltages 220-240 V/50 Hz	IP Rating IP24



ACCESSORIES



Accessories

To get the most from your Saniflo products, we suggest a few extra items to make life easier. Whether you are installing the product or carrying out maintenance, these accessories will help you along the way.

SANIALARM®

Product Ref: 1095

The SaniAlarm® has a level pressure switch that triggers an alarm fixed on the top of a unit if the volume of water exceeds the maximum allowed level. The alarm emits a continuous warning sound, until it is switched off and the problem rectified.



Why choose this product?

- Helps protect against flooding
- 80dB buzzer
- Added peace of mind
- Easily and quick installation onto lid of Saniflo unit
- Suitable for new and existing Saniflo installations
- Fits most Saniflo products – see product selector for details

Power 2 x AAA batteries – 1.5v	Weight 0.17kg
--	-------------------------

SaniAlarm installation is easy



Insert the batteries (not supplied) into the case



Carefully drill a 10mm hole in the lid of the unit where indicated in the instructions



Spread some silicone grease around the plunger tube and insert it through the lid



Fit the SANIALARM® on top of the plunger tube



Switch to the ON position

SANIFLO® ISOLATING VALVES

Product Ref: 2" 1109/4" 1107

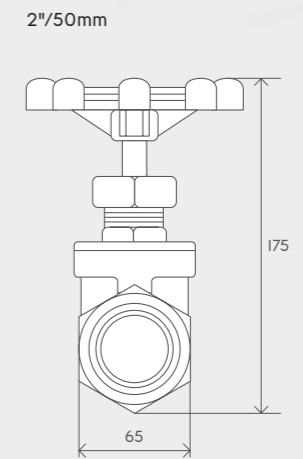
Designed for use with the Sanicubic® range, isolating valves allow you to carry out maintenance on lifting stations easily, quickly and without restrictions.

Available in 2"/50mm and 4"/100mm sizes.

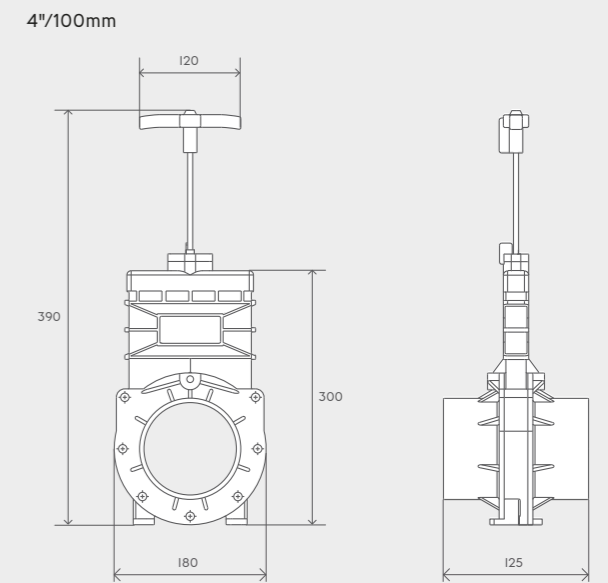


Why choose this product?

- Allows convenient maintenance
- Designed specifically for use with the Sanicubic range



Weight
1.44kg



Weight
1.86kg



SANIFLO® CLEANSER/DESCALER

Product Ref: 1085

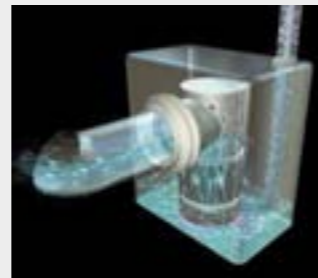
Specifically created for use with Saniflo® units, the cleanser is a concentrated solution for optimum cleaning power and trouble-free maintenance.



Why choose this product?

- Ideally suited to Saniflo units
- Won't damage septic tanks
- Comes in a 5 litre bottle for multiple applications
- Prolongs unit life and efficiency
- Use more frequently in hard water zones

Weight
5.8kg per 5L bottle



SANIFLO® CARBON AIR FILTER

Product Ref: 1108

For use with waste water and sewerage pumping systems where a vent to the atmosphere is not possible. Contains an activated carbon filter ideal for removing unpleasant odours and gaseous contaminants from an air stream. Also allows two-way air passage to enable the pump unit to breathe.



Weight
0.66kg

Why choose this product?

- Ideal for use with waste water pumping systems where waste water is extremely hot i.e. commercial dishwashers, glasswashers etc.
- Active carbon filter
- Neutralises unpleasant odours
- Allows pump units to breathe

Why builders and plumbers choose Saniflo

- Saniflo brought the macerator concept to the UK market over 35 years ago.
- The units are all engineered, tested and manufactured in France.
- There is over 55 years of continuous product development and testing in each product.
- The range is now extensive with over 30 different products available for all types of drainage applications, both domestic and commercial.
- Saniflo solves unconventional plumbing problems meaning plumbers can say 'yes' more often.
- Saniflo is a revenue generator as more projects can go ahead.
- Saniflo, uniquely has a comprehensive, national network of Saniflo maintenance engineers supporting the product day in day out, meaning worry free installation for plumbers and end users.

Saniflo – the facts

Saniflo-range macerator pumps reduce waste to liquid form and discharge through small-bore pipework to soil stack or sewer.

This means real economies in labour and structural work by eliminating conventional four inch gravity discharge pipework. Saniflo units activate automatically when the cistern is flushed.

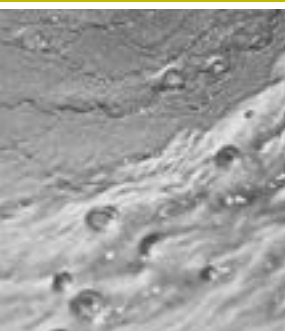
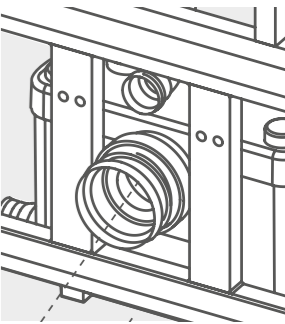
The units are quiet and economic to use and are simply connected to the domestic electrical supply, via an unswitched fused spur. The units are specifically designed for use in damp and steamy conditions and the powerful induction motors are sealed for life.

Thermal overload cut-outs are fitted to help protect them from abuse. Only the highest quality, non-corroding materials and components are used. Moving parts are minimised for maximum reliability and durability.

European standards apply to all our products in the domestic range: EN 12050-2 (Pumps) and EN 12050-3 (Domestic macerators).

All our products are designed and manufactured in France and rigorously tested on site. We have years of experience in the market, constantly refining and improving our technology and we are confident on their reliability.

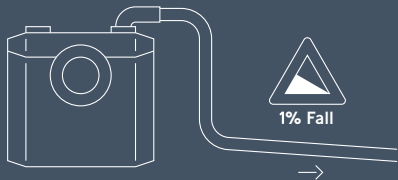
As part of the SFA Group, Saniflo are committed to an integrated quality and environmental management system and our business and factory complies with ISO 9001 and ISO 14001.



Correct Saniflo installation?

Check out the 10 Golden Rules

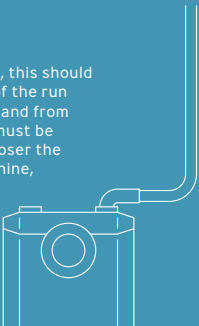
1



Discharge pipework should be copper or rigid solvent weld plastic, not 'pushfit'. 1% fall on horizontal runs.

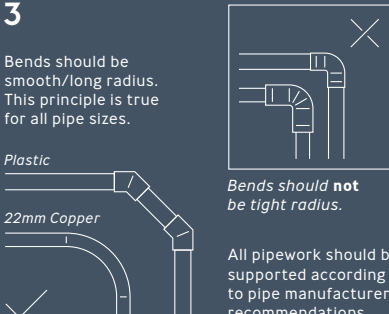
2

If a vertical lift is needed, this should be as close to the start of the run as is practically possible and from the highest point there must be a minimum 1% fall. The closer the vertical lift is to the machine, the more efficient the pump will be.



3

Bends should be smooth/long radius. This principle is true for all pipe sizes.



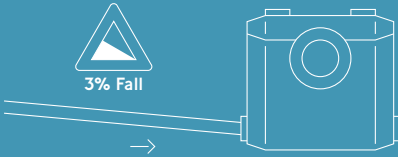
Plastic
22mm Copper

Bends should **not** be tight radius.

All pipework should be supported according to pipe manufacturers recommendations.

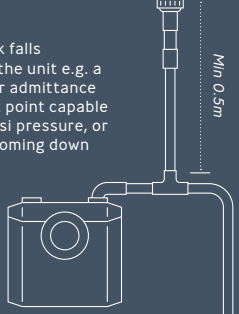
4

Pipes entering the Saniflo should have a gravity fall of 3%.



5

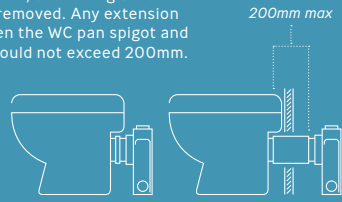
Where the pipework falls significantly below the unit e.g. a lower floor, fit an air admittance valve at the highest point capable of withstanding 10psi pressure, or increase pipe size coming down to 'break' syphon.



Min 0.5m

6

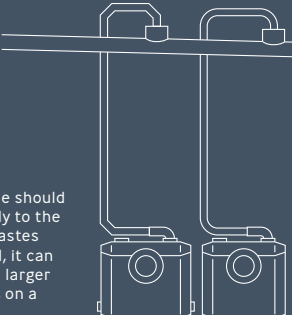
The unit should be easily accessible and removable in the event of maintenance being required. If boxed in, the boxing should be easily removed. Any extension between the WC pan spigot and wall should not exceed 200mm.



200mm max

7

Each Saniflo discharge pipe should run separately to the soil pipe. If wastes are combined, it can only be into a larger pipe, which is on a gravity fall.



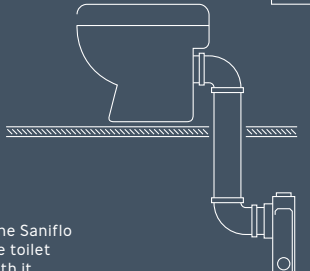
8

Since many closed coupled WC suites do not have the space between the WC pan spigot and the wall, you may have to batten the cistern off the wall to make room for the Saniflo. However Sanislim will fit behind most closed coupled WC suites without the need for this.

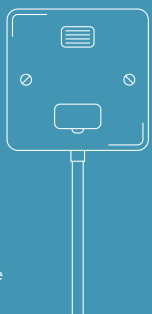


9

Position the Saniflo behind the toilet not beneath it.




10



Electrical connection should be via an unswitched fixed wiring connector with a 5 amp fuse for Domestic range macerators. Professional range may vary - check individual instruction manual.

Saniflo offer a complete range of pumps and macerators for all applications.

Download our e-learning Module:
www.saniflo.co.uk/e-learning.aspx



Macerators may only be used in a dwelling where there is access to a gravity discharging WC (Building Regs G4).