

Pump data

| | |
|-----------------------|-----------------|
| Make | Lowara |
| Port to port (mm) | 340 |
| Electrical connection | Terminals |
| Specific EEI | <= 0,23 |
| Nominal pressure | PN 6/10 |
| Connection | Flanged / DN 65 |

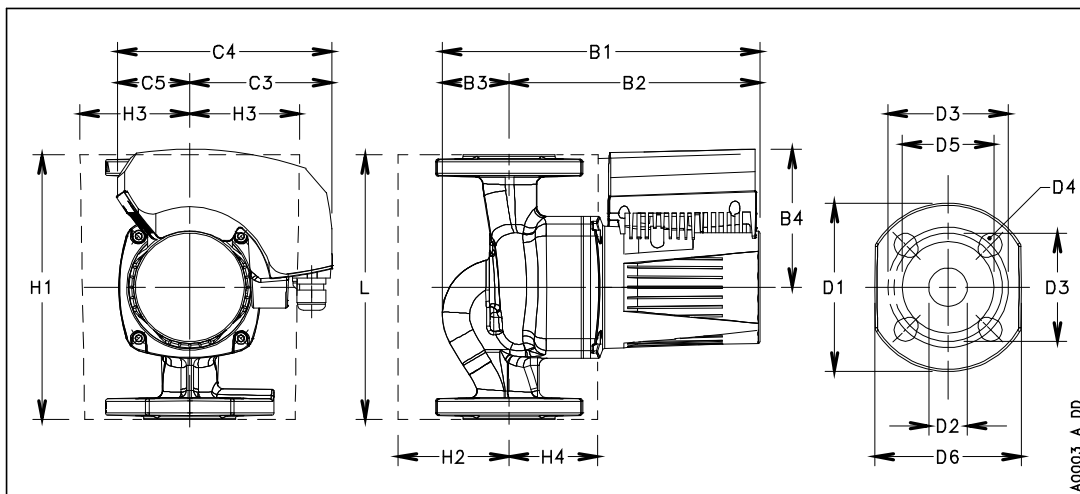
Electrical data

| | |
|----------------------------|-----------------------------|
| Rated voltage | 230 V |
| Frequency | 50 / 60 |
| Protection class | IP 44 |
| Insulation class | F |
| Digital input | Contact load: 5V, 10 mA |
| Digital output | Vmax < 250 VAC / Imax < 2 A |
| Analog input | 0-10 V / 4-20 mA |
| Leakage current | < 3.5 mA |
| Communication capabilities | Modbus RTU & BACnet MS/TP |
| Sound pressure level | <= 43 dB(A) |

Materials

| | | | |
|----------------|---------------------------|-------------|-----------------|
| Bush Bearing | Carbon, resin impregnated | impeller | PPS |
| Thrust bearing | Aluminum oxide | Wear ring | Stainless steel |
| Bearing plate | Stainless steel | Rotor can | Stainless steel |
| Motor housing | Aluminum | Shaft | Stainless steel |
| O-rings | EPDM | Control box | Poly carbonate |
| Pump housing | Bronze | | |

Dimensions mm



| | |
|--------------|-----------|
| B1 | 364 |
| B2 | 267 |
| B3 | 97 |
| B4 | 132 |
| B5 | 53 |
| C3 | 128 |
| C4 | 206 |
| C5 | 78 |
| D1 | 185 |
| D2 | 65 |
| D3 | 130/145 |
| D4 | 4 x 14/19 |
| D5 | 118 |
| Gross weight | 27.2 |
| H1 | 340 |
| H2 | 112 |
| H3 | 106 |
| H4 | 108 |
| L | 340 |
| Net weight | 21.9 |