

Performance according to ISO 9906 - Annex A  
Power data referred to:  
Water [100%]; 277K; 1000kg/m<sup>3</sup>; 1.57mm<sup>2</sup>/s

Liquid temperature:  
-10°C (14°F) to +110 °C (230°F) for heating pumps  
-10°C (14°F) to +85 °C (185°F) for domestic hot water pumps



**Pump data**

Make	Lowara
Port to port (mm)	180
Electrical connection	Terminals
Specific EEI	<= 0,23
Nominal pressure	PN 6/10
Connection	Threaded pipe / G 2 – Rp 1 ¼

**Electrical data**

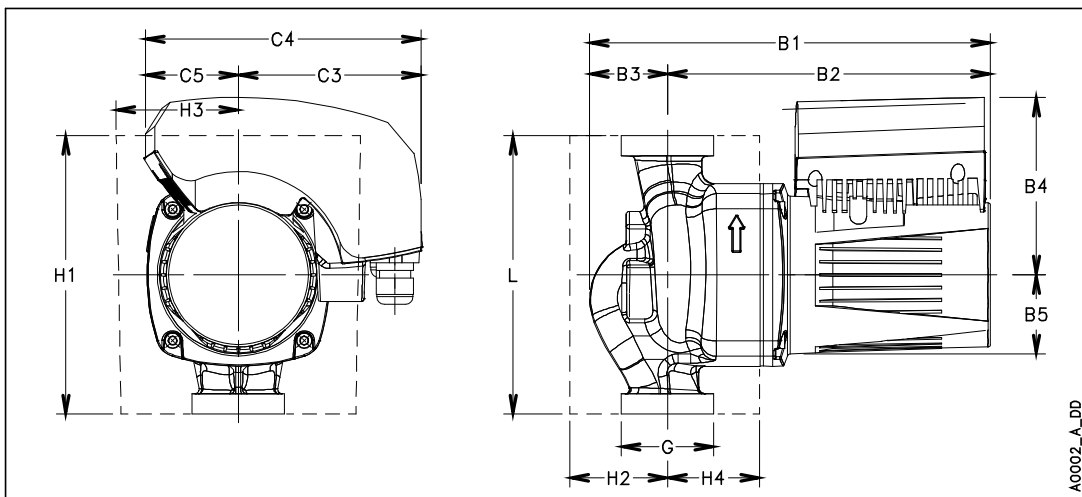
Rated voltage	230 V
Frequency	50 / 60
Protection class	IP 44
Insulation class	F
Digital input	Contact load: 5V, 10 mA
Digital output	Vmax < 250 VAC / Imax < 2 A
Analog input	0-10 V / 4-20 mA
Leakage current	< 3.5 mA
Communication capabilities	Modbus RTU & BACnet MS/TP
Sound pressure level	<= 43 dB(A)

**Materials**

Bush Bearing	Carbon, resin impregnated	impeller	PPS
Thrust bearing	Aluminum oxide	Wear ring	Stainless steel
Bearing plate	Stainless steel	Rotor can	Stainless steel
Motor housing	Aluminum	Shaft	Stainless steel
O-rings	EPDM	Control box	Poly carbonate
Pump housing	Bronze		

**Dimensions mm**

B1	260
B2	208
B3	52
B4	118
B5	51
C3	116
C4	178
C5	62
Gross weight	11.65
H1	180
H2	67
H3	83
H4	58
L	180
Net weight	8.1



A0002\_A\_DD