

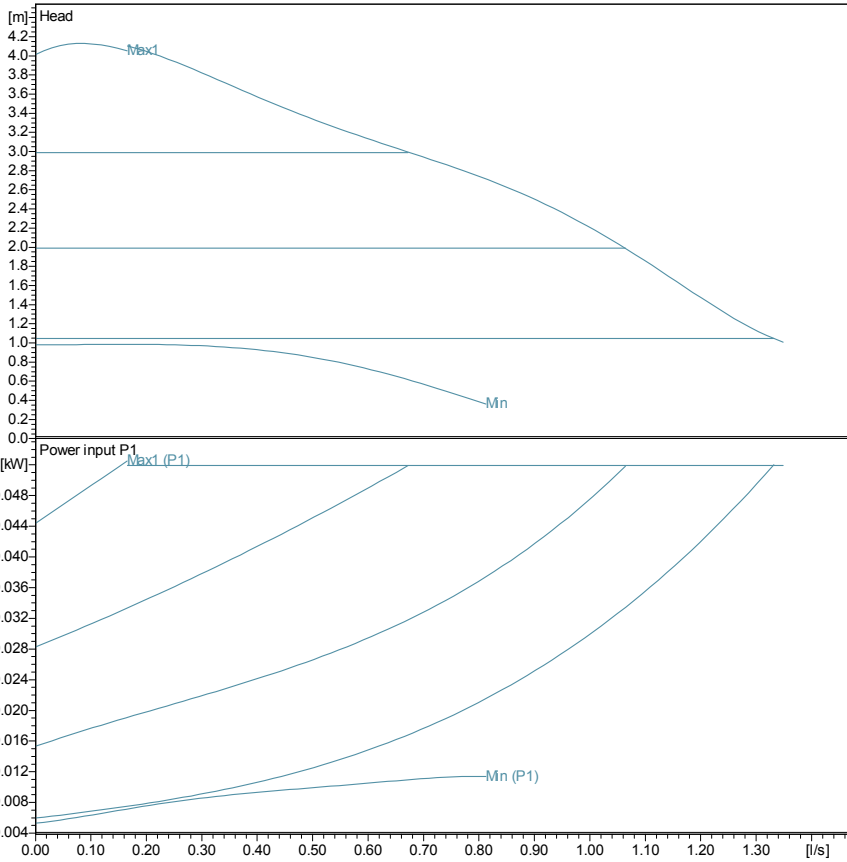


**Pump data**

Make	Lowara
Port to port (mm)	180
Electrical connection	PLUG
Specific EEI	<= 0,23
Nominal pressure	PN 6/10
Connection	Threaded pipe / G 2 – Rp 1 ¼

**Electrical data**

Rated voltage	230 V
Frequency	50 / 60
Protection class	IP 44
Insulation class	F
Digital input	Contact load: 5V, 10 mA
Digital output	Vmax < 250 VAC / Imax < 2 A
Analog input	0-10 V / 4-20 mA
Leakage current	< 3.5 mA
Communication capabilities	Modbus RTU
Sound pressure level	<= 43 dB(A)



Performance according to ISO 9906 - Annex A

Power datas referred to:

Water [100%]; 277K; 1000kg/m<sup>3</sup>; 1.57mm<sup>2</sup>/s

Liquid temperature:

-10°C (14°F) to +110 °C (230°F) for heating pumps

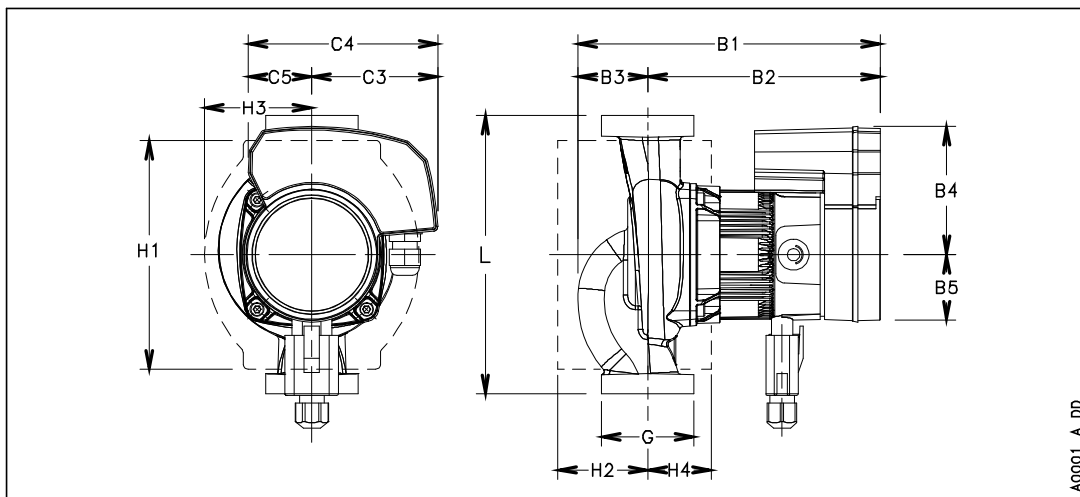
-10°C (14°F) to +85 °C (185°F) for domestic hot water pumps

**Materials**

Bush Bearing	Carbon, resin impregnated	impeller	PPO
Mech.seal ball 1/2"	Aluminum oxide	Neck ring	Stainless steel
Casing plate	Stainless steel	Rotor can	Stainless steel
Motor housing	Aluminum	Shaft	Stainless steel
O-rings	EPDM	Control box	Poly carbonate
Pump housing	Bronze		

**Dimensions mm**

B1	194
B2	148
B3	46.5
B4	82
B5	43
C3	81
C4	120
C5	39
Gross weight	6.4
H1	148
H2	61
H3	76
H4	38
L	180
Net weight	3.5



A0001\_A\_DD