

**Pump data**

Make	Lowara
Port to port (mm)	340
Electrical connection	Terminals
Specific EEI	<= 0,23
Nominal pressure	PN 6/10
Connection	Flanged / DN 65

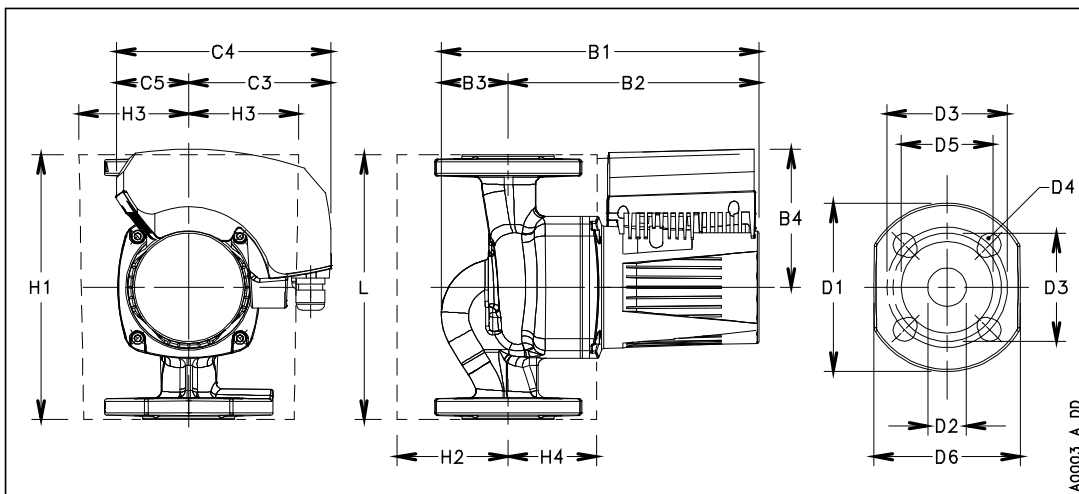
**Electrical data**

Rated voltage	230 V
Frequency	50 / 60
Protection class	IP 44
Insulation class	F
Digital input	Contact load: 5V, 10 mA
Digital output	Vmax < 250 VAC / Imax < 2 A
Analog input	0-10 V / 4-20 mA
Leakage current	< 3.5 mA
Communication capabilities	No communication protocol
Sound pressure level	<= 43 dB(A)

**Materials**

Bush Bearing	Carbon, resin impregnated	impeller	PPS
Thrust bearing	Aluminum oxide	Wear ring	Stainless steel
Bearing plate	Stainless steel	Rotor can	Stainless steel
Motor housing	Aluminum	Shaft	Stainless steel
O-rings	EPDM	Control box	Poly carbonate
Pump housing	Bronze		

**Dimensions mm**



B1	364
B2	267
B3	97
B4	132
B5	53
C3	128
C4	206
C5	78
D1	185
D2	65
D3	130/145
D4	4 x 14/19
D5	118
Gross weight	27.2
H1	340
H2	112
H3	106
H4	108
L	340
Net weight	21.9