

Performance according to ISO 9906 - Annex A

Liquid temperature:

Power data referred to:

-10°C (14°F) to +110 °C (230°F) for heating pumps

Water [100%]; 277K; 1000kg/m<sup>3</sup>; 1.57mm<sup>2</sup>/s

-10°C (14°F) to +85 °C (185°F) for domestic hot water pumps



**Pump data**

Make	Lowara
Port to port (mm)	360
Electrical connection	Terminals
Specific EEI	<= 0,23
Nominal pressure	PN 6/10
Connection	Flanged / DN 65

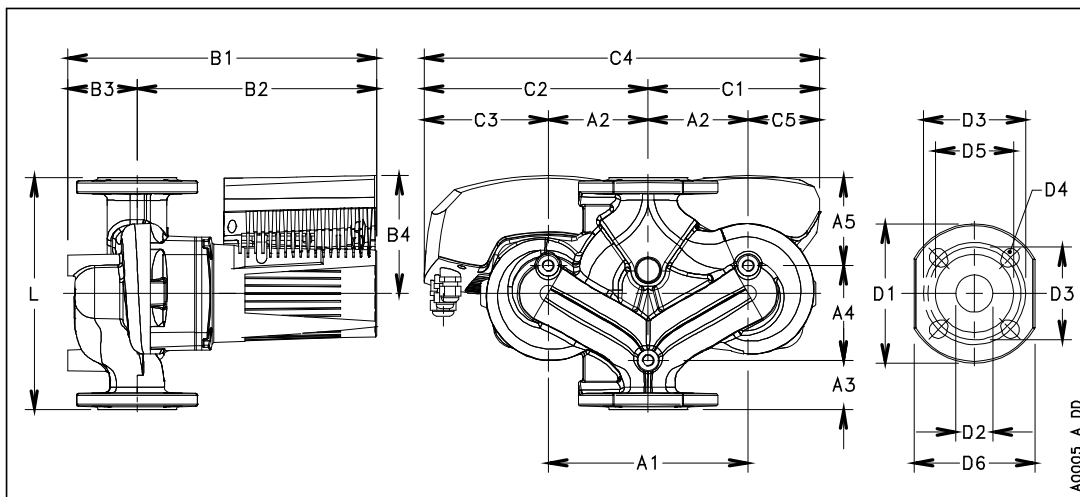
**Electrical data**

Rated voltage	230 V
Frequency	50
Protection class	IP 44
Insulation class	F
Digital input	Contact load: 5V, 10 mA
Digital output	Vmax < 250 VAC / Imax < 2 A
Analog input	0-10 V / 4-20 mA
Leakage current	< 3.5 mA
Communication capabilities	Modbus RTU & BACnet MS/TP
Sound pressure level	<= 43 dB(A)

**Materials**

Bush Bearing	Carbon, resin impregnated	impeller	PPS
Thrust bearing	Aluminum oxide	Wear ring	Stainless steel
Bearing plate	Stainless steel	Rotor can	Stainless steel
Motor housing	Aluminum	Shaft	Stainless steel
O-rings	EPDM	Control box	Poly carbonate
<b>PUMP HOUSING</b>	<b>Cast iron</b>		

**Dimensions mm**



A1	240
A2	120
A3	55
A4	155
A5	130
B1	381
B2	297
B3	84
B4	147
B5	60
C1	202
C2	268
C3	148
C4	470
C5	93
D1	185
D2	65
D3	130/145
D4	4 x 14/19
D5	118
Gross weight	53.9
L	340