

ECN.No.	DATE	DETAILS	REVISION
3231	08/02/2013	FIRST ISSUE	1
3279	25/04/2013	ST PLUS INFORMATION ADDED	2
3356	23/08/2013	UPDATE FOR WEB SITE IMAGES	3
*	*	*	*

STUART TURNER LTD HENLEY-ON-THAMES.

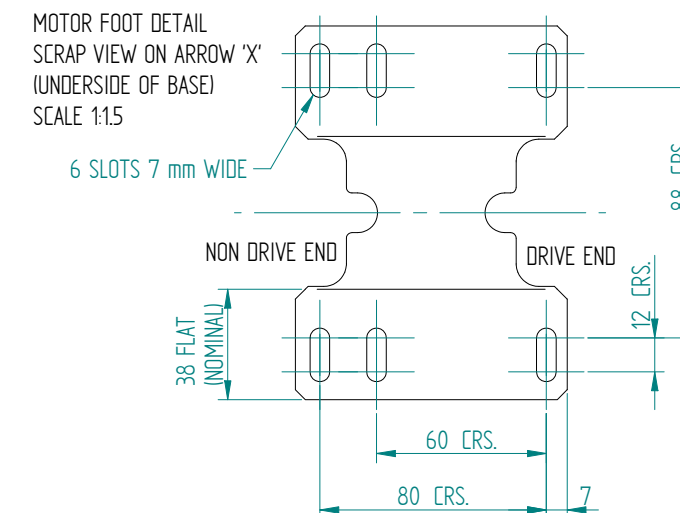
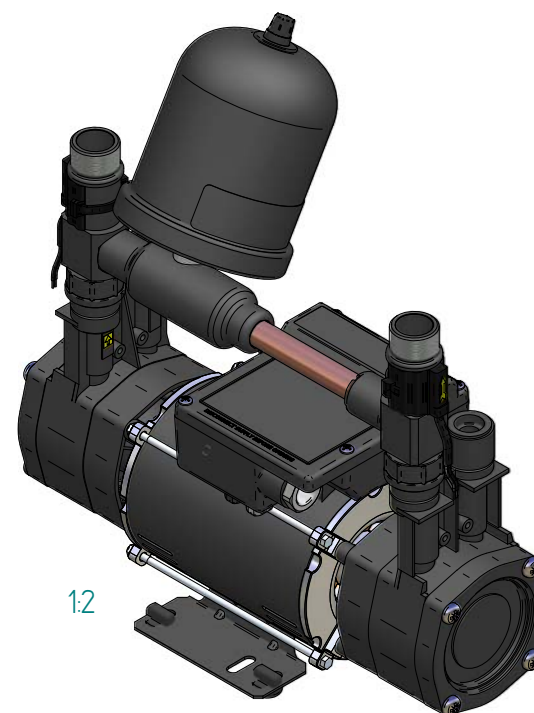
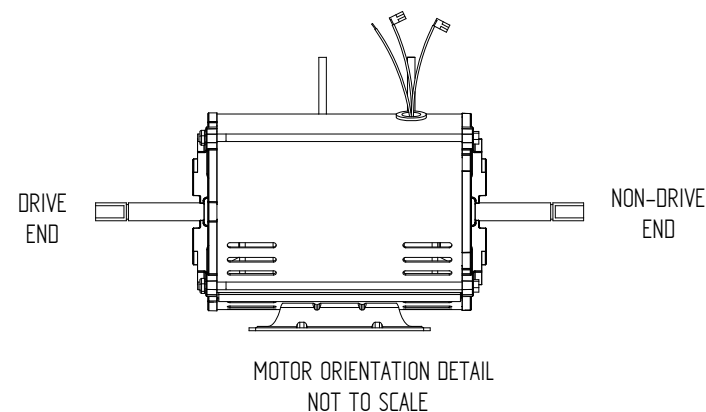
REVISION **3** DRG.No. **41561**

THIRD ANGLE PROJECTION

DIMENSIONS IN MILLIMETRES

MACHINING SYMBOLS TO BS 8888

REMOVE ALL BURRS AND SHARP EDGES

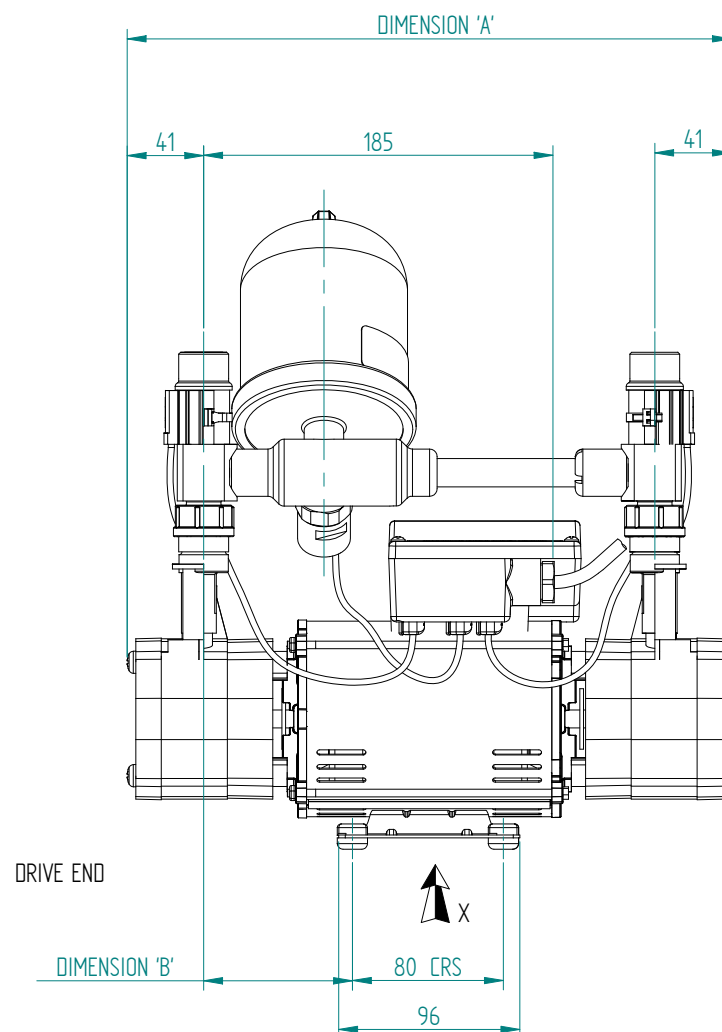
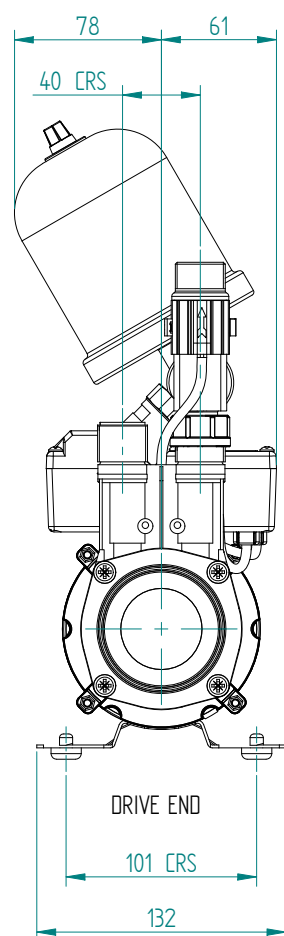


MODEL	PART No.	DIM 'A' mm	DIM 'B' mm
SHOWERMATE U18 bar TWIN	46532	305	72
SHOWERMATE U2.6 bar TWIN	46533	320	79
ST PLUS UNIVERSAL	44373	305	72

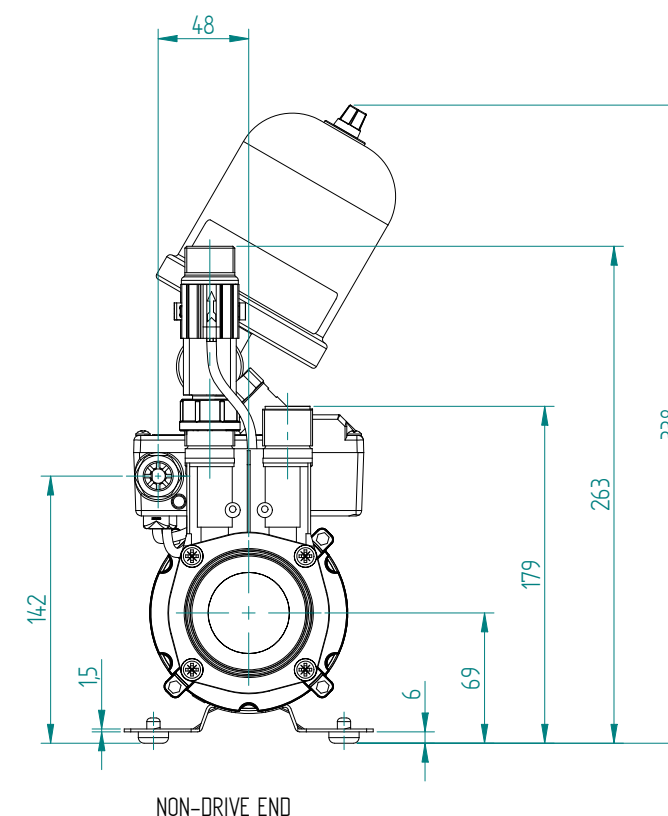
If drawing is to be used for constructional purposes please contact Stuart Turner Ltd and request a certified document

Stuart Turner Ltd own the copyright within this document. The document may be printed for personal use only. The document must not be altered, reproduced or utilized in any way without written permission from Stuart Turner Ltd, Henley-on-Thames, Oxon, UK.

Stuart Turner Ltd reserves the right to amend specifications without notice.



SUPPLY CABLE
1.5 METRES APPROX.



DRAWN	SJB
CHECKED	
DATE	20/02/2013

OUTLINE ARRANGEMENT

*

SUPERSEDES *	GENERAL LIMIT ± 1	SCALE	A1
	FILE SOLIDEDGE FILES\DRAWING\PUMPS\GA41561-3	1:2	
ALL COMPONENTS SUPPLIED IN RELATION TO THIS DRAWING MUST BE IN FULL COMPLIANCE WITH THE RoHS DIRECTIVE (2002/95/EC)	MATL. N/A	DRG.No.	41561