

ECN.No.	DATE	DETAILS	REVISION
3237	12/02/2013	FIRST ISSUE	1
3356	23/08/2013	UPDATE FOR WEB SITE IMAGES	2
*	*	*	*
*	*	*	*

STUART TURNER LTD HENLEY-ON-THAMES.

REVISION	DRG.No.
2	41564

THIRD ANGLE PROJECTION

MOTOR FOOT DETAIL
SCRAP VIEW ON ARROW 'X'
(UNDERSIDE OF BASE)
SCALE 1:1.5

DIMENSIONS IN MILLIMETRES

MACHINING SYMBOLS TO BS 8888

REMOVE ALL BURRS AND SHARP EDGES

If drawing is to be used for constructional purposes please contact Stuart Turner Ltd and request a certified document

Stuart Turner Ltd own the copyright within this document. The document may be printed for personal use only. The document must not be altered, reproduced or utilized in any way without written permission from Stuart Turner Ltd, Henley-on-Thames, Oxon, Uk.

Stuart Turner Ltd reserves the right to amend specifications without notice.

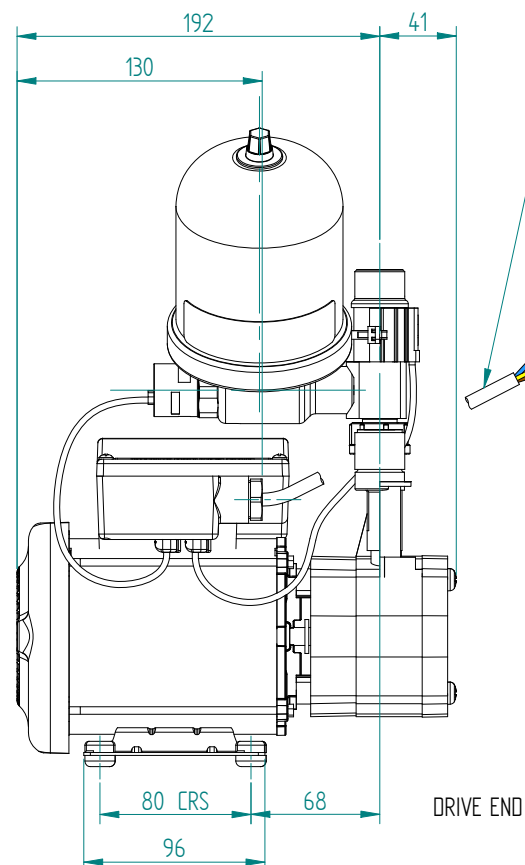
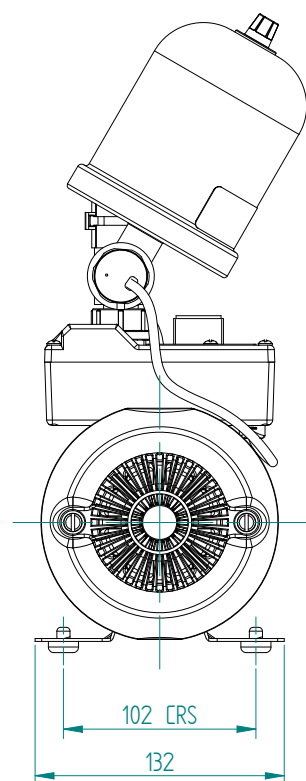
6 SLOTS 7 mm WIDE

NON DRIVE END DRIVE END

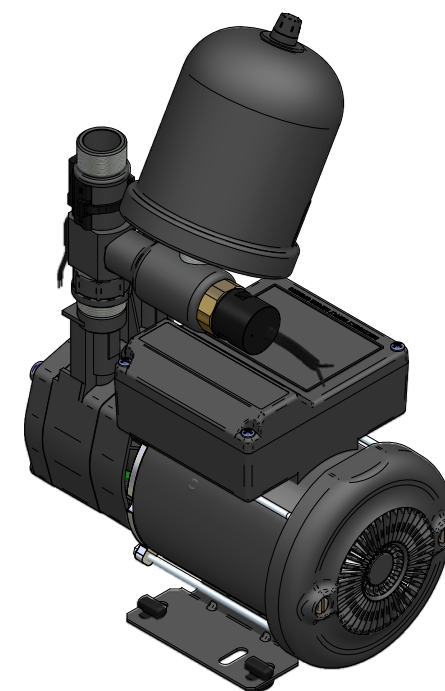
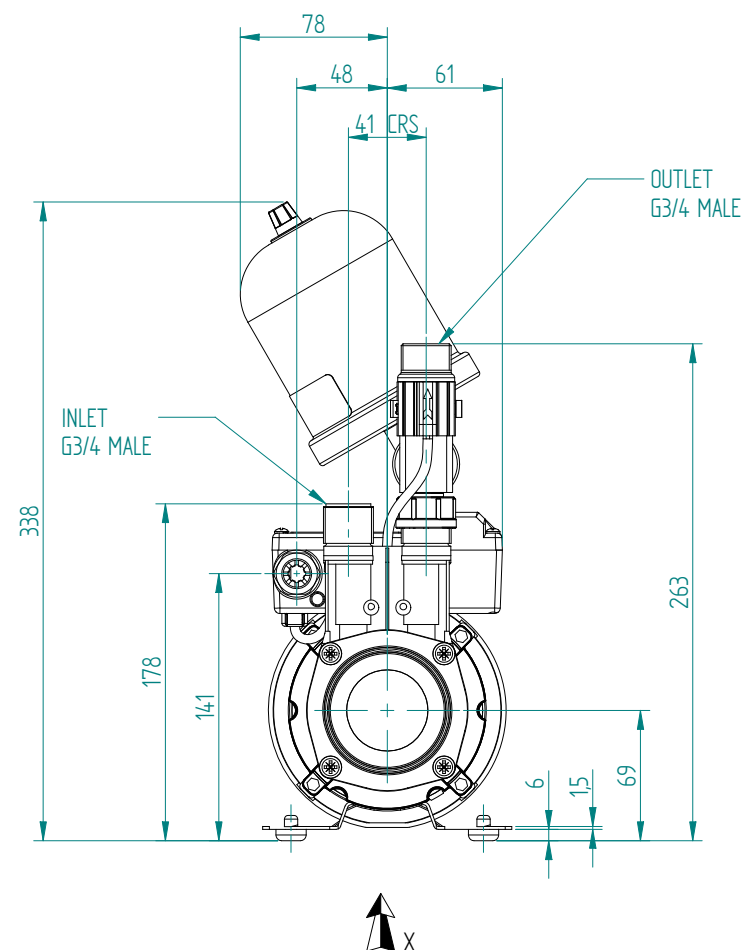
38 FLAT (NOMINAL)

60 CRS.
80 CRS.
7

88 CRS.
12 CRS.



SUPPLY CABLE
1.5 METRES APPROX.



DRAWN	SJB
CHECKED	
DATE	25/02/2013

SHOWERMATE UNIVERSAL 2.6 BAR SINGLE

SUPERSEDES *	GENERAL LIMIT ± 1	SCALE	A1
	FILE SOLIDEDGE FILES/DRAFT/PUMPS/GA41564-2	1:2	
ALL COMPONENTS SUPPLIED IN RELATION TO THIS DRAWING MUST BE IN FULL COMPLIANCE WITH THE RoHS DIRECTIVE (2002/95/EC)	MATL. N/A	DRG.No.	41564