

ALT.No.	DATE	DETAILS	ISSUE No.
2013	30/09/2008	FIRST ISSUE	1
2339	03/11/2009	PARTS REMOVED FOR SCREW FIT HOSE CHANGE	2
3356	23/08/2013	DIMENSIONS UPDATED FOR WEB SITE	3
*	*	*	*

STUART TURNER LTD HENLEY-ON-THAMES.

ISSUE **3** DRG.No. **41284**

THIRD ANGLE PROJECTION

DIMENSIONS IN MILLIMETRES

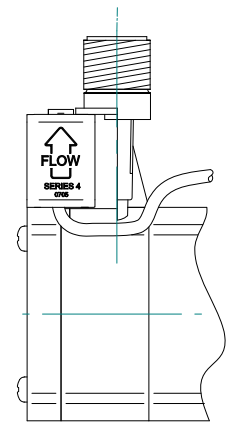
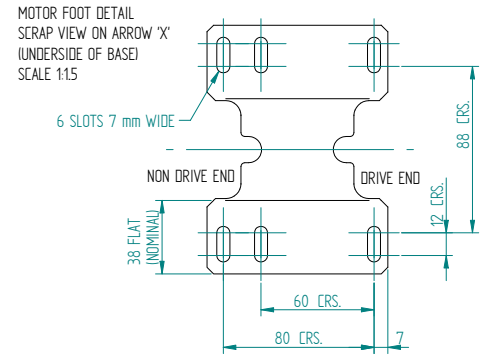
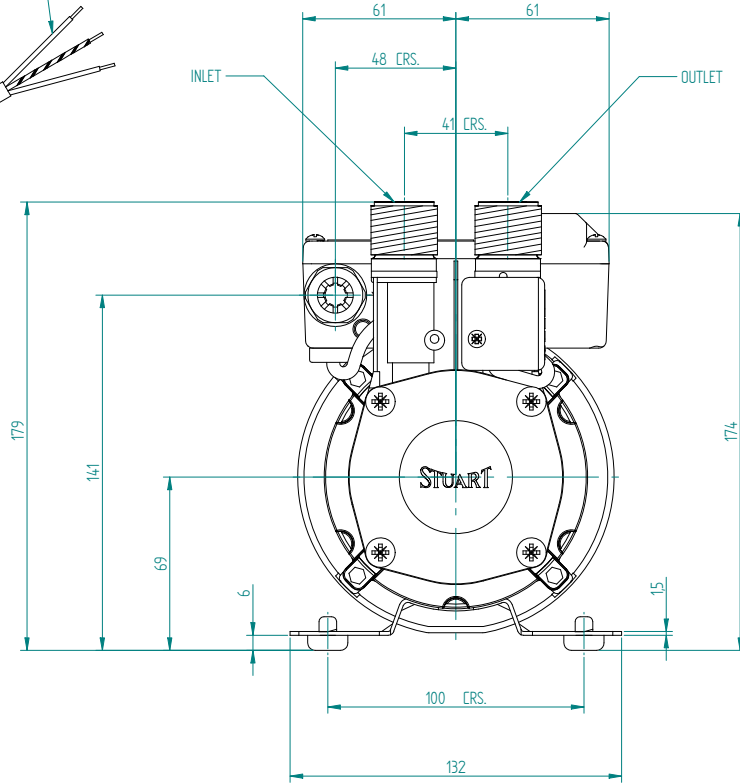
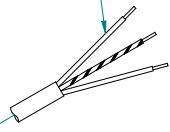
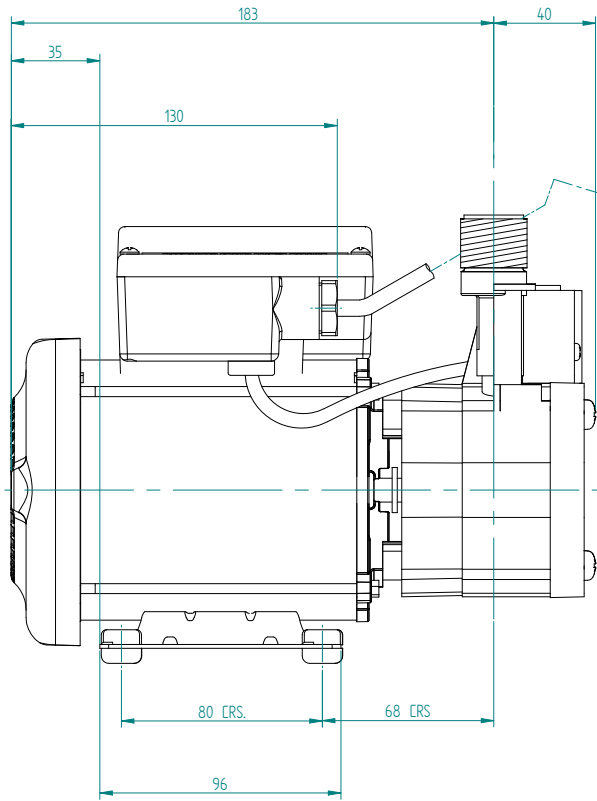
MACHINING SYMBOLS TO BS 308

REMOVE ALL BURRS AND SHARP EDGES

Stuart Turner Ltd reserves the right to amend specifications without notice.

If drawing is to be used for constructional purposes please contact Stuart Turner Ltd and request a certified document

SUPPLY CABLE
15 METRES APPROX.



FLOW DIRECTION ARROW DETAIL
SCRAP VIEW

Stuart Turner Ltd own the copyright in this document.
The document may be printed for personal use only. The document must not be altered, reproduced or utilized in any way without written permission from Stuart Turner Ltd, Henley-on-Thames, Oxon, Uk.

DRAWN	PL
CHECKED	
DATE	30/09/2008

SHOWERMATE SINGLE (S2,6 bar MODEL)

USED ON	.
SUPERSEDES	.

GENERAL LIMIT	± 2
FILE	SOLIDEDGE FILES\DRAWING\PUMPS\CAI41284-3
MATL.	.

SCALE	1:1	A1
DRG.No.	41284	