

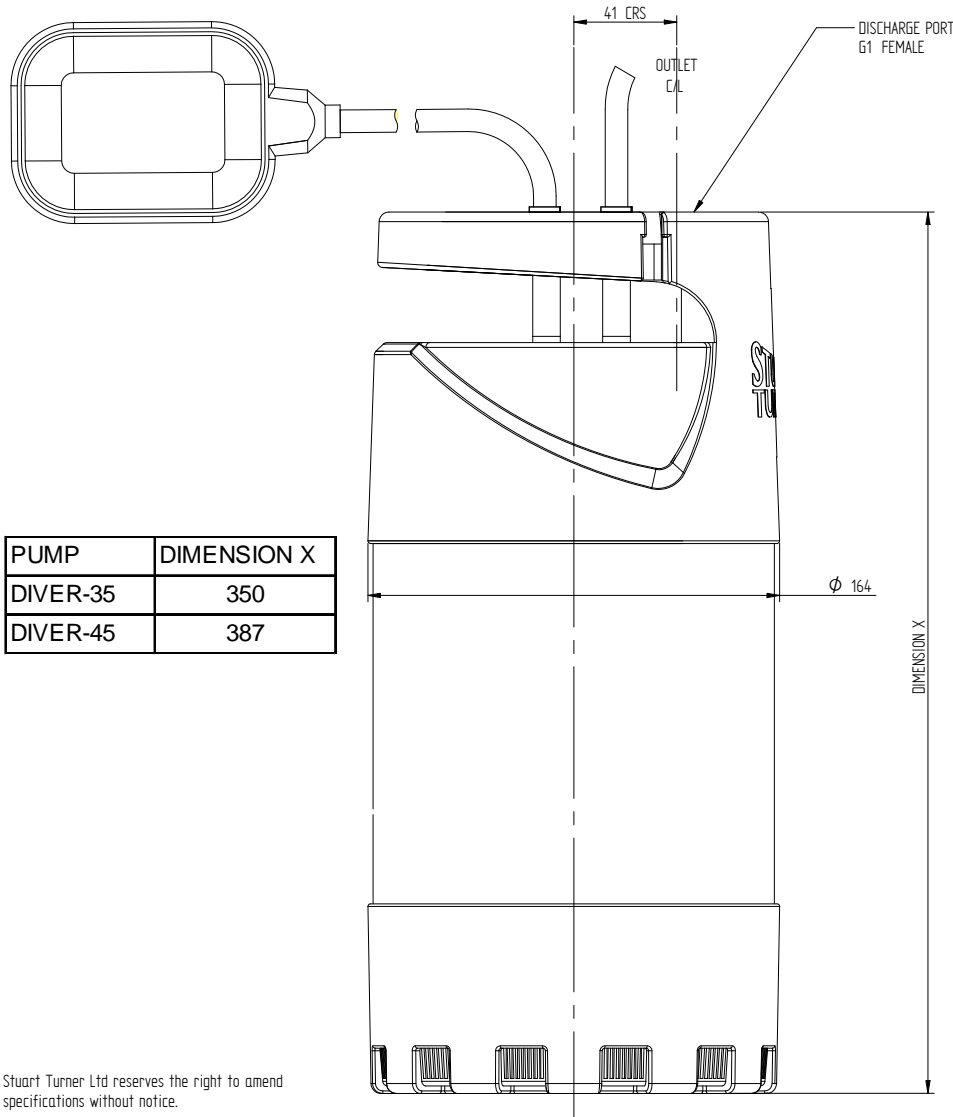
# STUART TURNER LTD HENLEY-ON-THAMES.

THIRD ANGLE PROJECTION

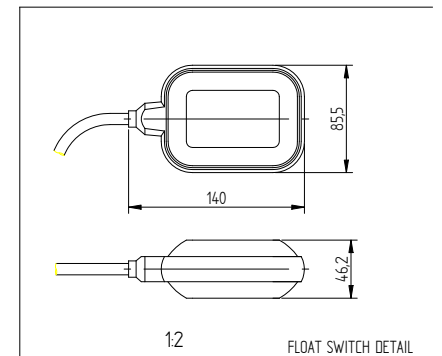
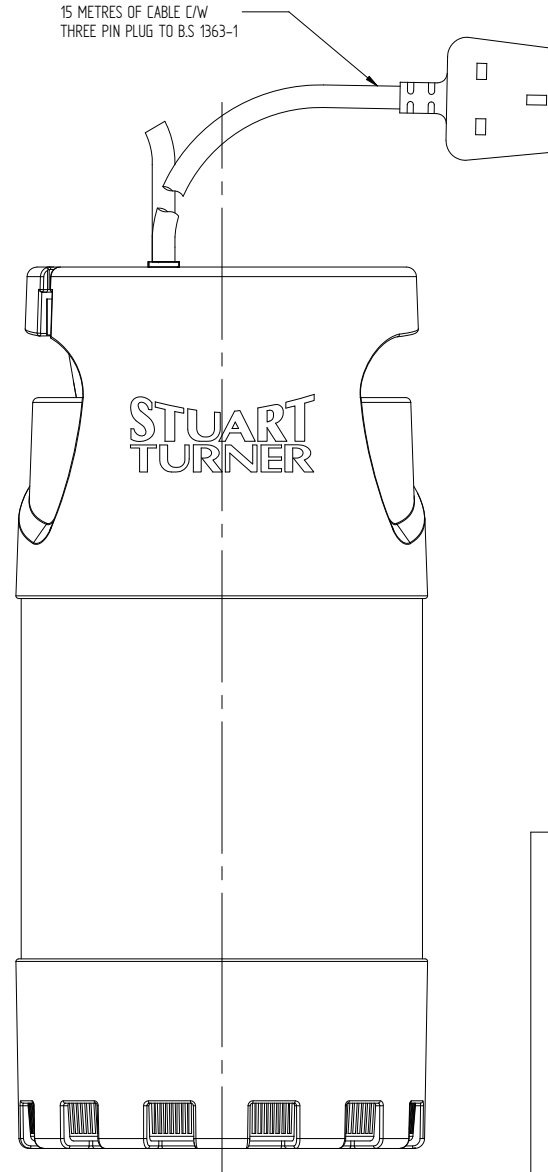
If drawing is to be used for constructional purposes please contact Stuart Turner Ltd and request a certified document.

DIMENSIONS IN MILLIMETRES

15 METRES OF CABLE C/W  
THREE PIN PLUG TO B.S. 1363-1



PUMP	DIMENSION X
DIVER-35	350
DIVER-45	387



Stuart Turner Ltd reserves the right to amend specifications without notice.

Stuart Turner Ltd own the copyright within this document. The document may be printed for personal use only. The document must not be altered, reproduced or utilized in any way without written permission from Stuart Turner Ltd, Henley-on-Thames, Oxon, UK.

## GENERAL ARRANGEMENT - DIVER 35-45

W41471

DATE: 15/03/2012