

Customer	Date	2014-09-15
Contact	Project	
Phone number	Project no.	
Email		



## 3HM21N22T5RQBE

104604494

### Operating data

Pump type	Single head pump	Fluid	Water
No. of pumps / Reserve	1 / 0	Operating temperature t A	K 277
Nominal flow	l/s 1.215	pH-value at t A	7
Nominal head	m 54	Density at t A	kg/m <sup>3</sup> 1000
Static head	m 0	Kin. viscosity at t A	mm <sup>2</sup> /s 1.569
Inlet pressure	kPa 0	Vapor pressure at t A	kPa 100
Environmental temperature	K 293	Solids	0
Available system NPSH	m 0	Altitude	m 1000

### Pump data

Make	Lowara	Nominal	l/s ( )
Speed	1/min 2900	Flow	Max- l/s 1.2
Number of stages	21		Min- l/s
Max. casing pressure	kPa	Nominal	m
Max. working pressure	kPa 1560.6	Head	at Qmax m 70.4
Head H(Q=0)	m 160		at Qmin m 159.1
Weight	kg 26	Shaft power	kW ( )
	Max. mm 73	Max. shaft power	kW 1.9
Impeller R	designed mm 73	Efficiency	%
	Min. mm 73	NPSH 3%	m

### Pump Materials

ADAPTER	Aluminium
DIFFUSER	Stainless steel
Fill / drain plugs	Stainless steel
Head	Stainless steel
IMPELLER	Stainless steel 316
Outer sleeve	Stainless steel
SEAL HOUSING	Stainless steel
SHAFT	Stainless steel
Shaft sleeve and bushing	Tungsten carbide
Tie rods	Stainless steel
WEAR RING	Technopolymer (PPS)
Ring with foot	Aluminium

### Shaft Seal

Mechanical Seal	Burgmann
HM - MG1S2	
Rotating Assembly	Q1-Silicon carbide
Fixed Assembly	B-Carbon
Elastomers	E-EPDM
Springs	G-AISI 316
Other Components	G-AISI 316

### Motor data

Manufacturer	Lowara	Electric voltage	400 V	Speed	2900 1/min	Insulation class	F
Specific design	IE3 Three phase surface motor - e-HM			Frame size	56	Colour	RAL 5010
Type	PLM90HM../322 E3	Electric current	4.56 A	Weight	0 kg		
Rated power	2.2 kW	Degree of protection	IP 55				

### Remarks:



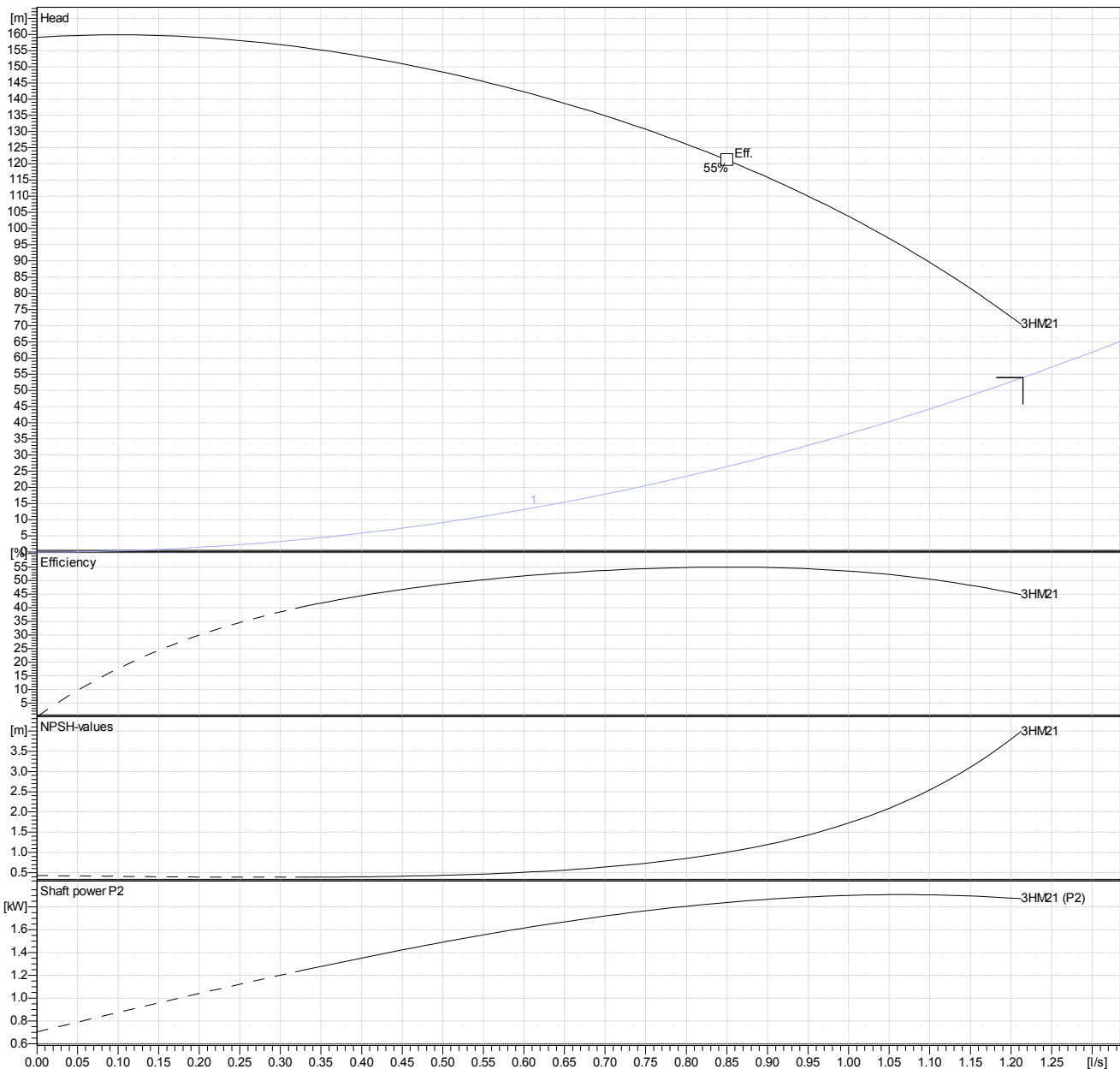
Customer	Date	2014-09-15
Contact	Project	
Phone number	Project no.	
Email		

**3HM21N22T5RQBE**  
104604494

**Hydraulic Data**

Operating Data Specification		Hydraulic data (duty point)		Impeller design	
Flow	1.215 l/s	Flow		Impeller R	73 mm
Head	54 m	Head		Frequency	50 Hz
Static head	0 m			Speed	2900 1/min

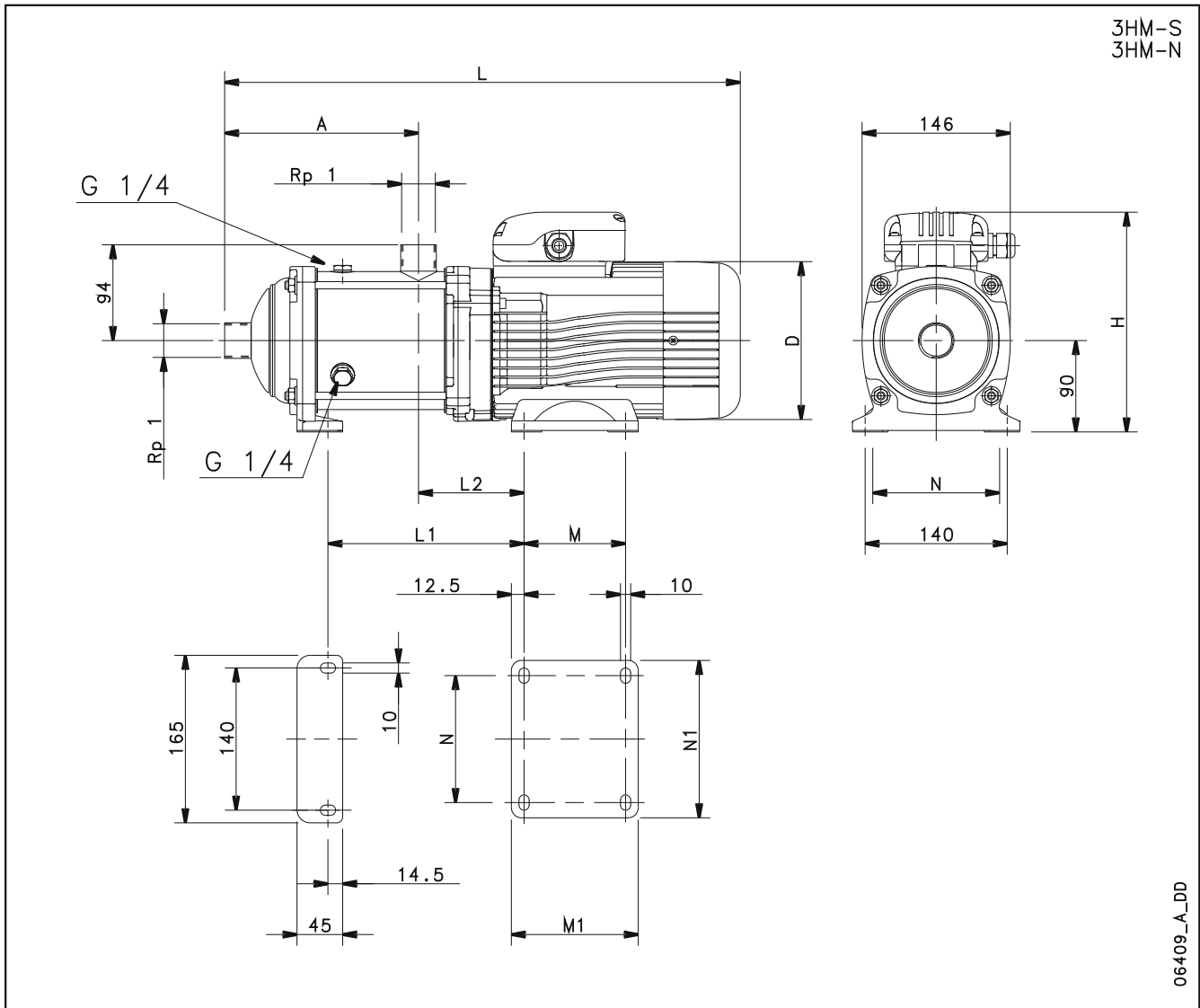
Power data referred to:  
Water [100%] ; 277K; 1000kg/m<sup>3</sup>; 1.57mm<sup>2</sup>/s  
Performance according to ISO 9906 - Annex A



Customer	Date	2014-09-15
Contact	Project	
Phone number	Project no.	
Email		

**3HM21N22T5RQBE**  
104604494

**Drawing**



06409\_A\_DD

**Dimensions mm**

A	431	N1	164			Weight
D	174	PN	16			26 kg
H	224					
L	804					
L1	456					
L2	127					
M	125					
M1	150					
N	140					