

Customer	Date	2014-07-11
Contact	Project	
Phone number	Project no.	
Email		



5HM04P07M5HVBE

104600770

Operating data

Pump type	Single head pump	Fluid	Water
No. of pumps / Reserve	1 / 0	Operating temperature t A	K 277
Nominal flow	l/s 0	pH-value at t A	7
Nominal head	m 0	Density at t A	kg/m ³ 1000
Static head	m 0	Kin. viscosity at t A	mm ² /s 1.569
Inlet pressure	kPa 0	Vapor pressure at t A	kPa 100
Environmental temperature	K 293	Solids	0
Available system NPSH	m 0	Altitude	m 1000

Pump data

Make	Lowara	Nominal	l/s ()
Speed	1/min 2900	Flow	Max- l/s 2
Number of stages	4		Min- l/s
Max. casing pressure	kPa	Nominal	m
Max. working pressure	kPa 466.5	Head	at Qmax m 13.1
Head H(Q=0)	m 48		at Qmin m 47.6
Weight	kg 10	Shaft power	kW ()
	Max. mm 73	Max. shaft power	kW .7
Impeller R	designed mm 73	Efficiency	%
	Min. mm 73	NPSH 3%	m

Pump Materials

Adapter	Aluminium
Bolts and screws	Stainless steel
Diffuser	Stainless steel
Fill / drain plugs	Nickel-plated brass
impeller	Technopolymer (Noryl™)
Pump body	Stainless steel
Shaft	Stainless steel
Wear ring	Technopolymer (PPS)

Shaft Seal

Mechanical Seal	Roten
HM - uniten	
Rotating Assembly	V-Ceramic Alumina
Fixed Assembly	B-Carbon
Elastomers	E-EPDM
Springs	G-AISI 316
Other Components	G-AISI 316

Seal casing	Stainless steel
-------------	-----------------

Motor data

Manufacturer	Lowara	Electric voltage	230 V	Speed	2765 1/min	Insulation class	F
Specific design	Single phase motor - e-HM			Frame size	56	Colour	RAL 5010
Type	SM71HM../1075	Electric current	3.42 A	Weight	0 kg		
Rated power	0.75 kW	Degree of protection	IP 55				

Remarks:



Customer	Date	2014-07-11
Contact	Project	
Phone number	Project no.	
Email		

5HM04P07M5HVBE

104600770

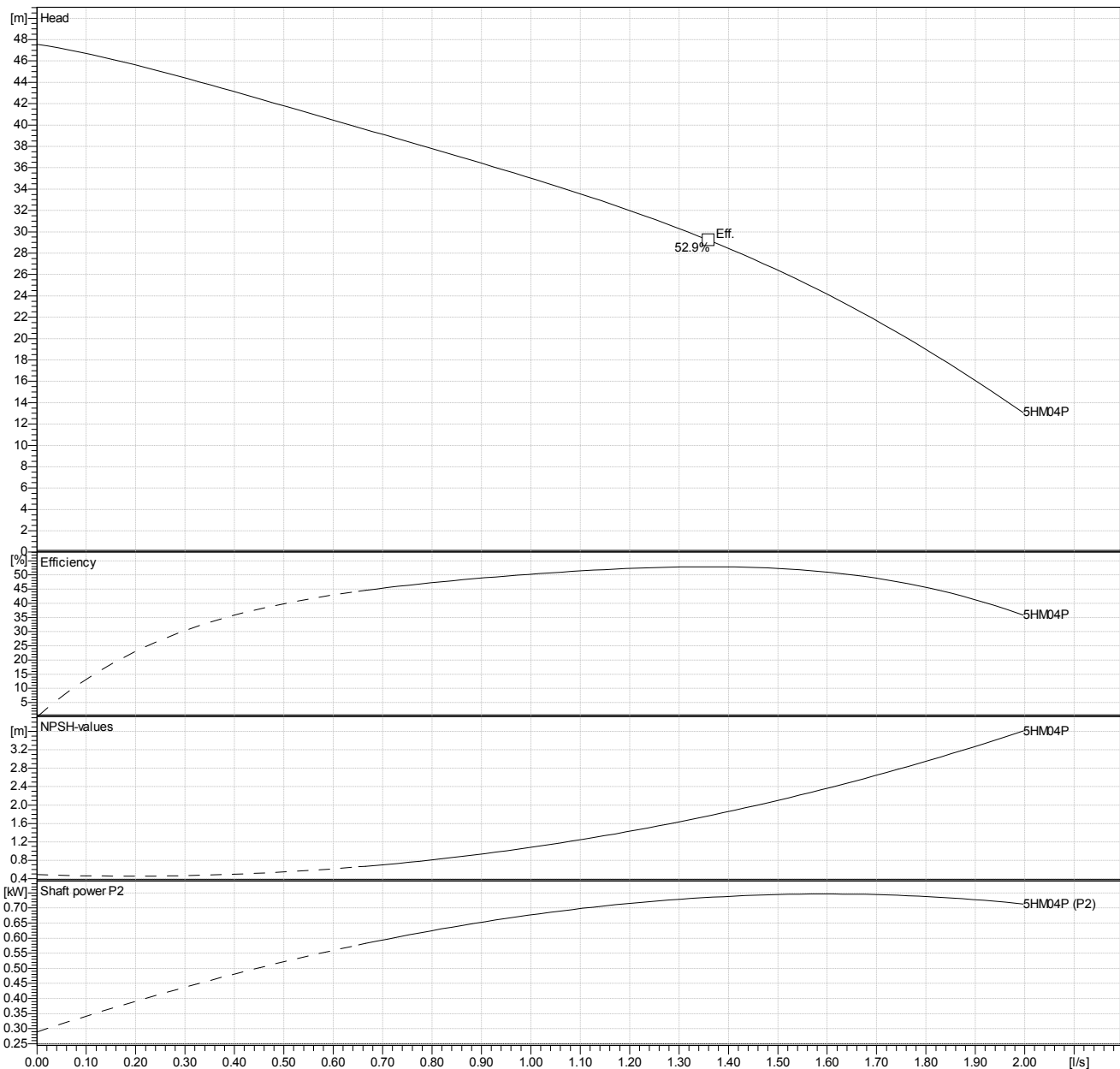
Hydraulic Data

Operating Data Specification		Hydraulic data (duty point)		Impeller design	
Flow	0 l/s	Flow		Impeller R	73 mm
Head	0 m	Head		Frequency	50 Hz
Static head	0 m			Speed	2900 1/min

Power data referred to:

Water [100%] ; 277K; 1000kg/m³; 1.57mm²/s

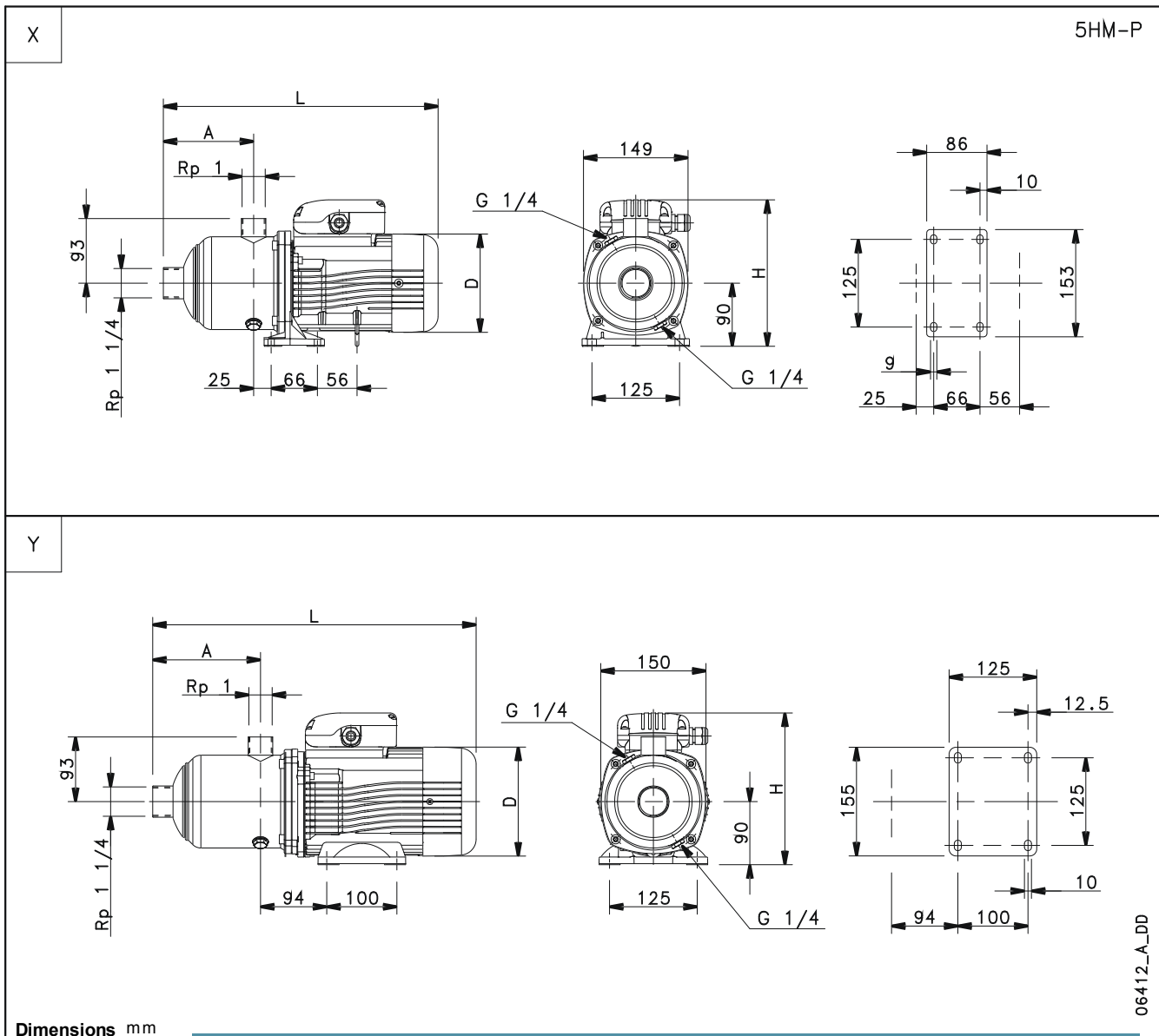
Performance according to ISO 9906 - Annex A



Customer	Date	2014-07-11
Contact	Project	
Phone number	Project no.	
Email		

5HM04P07M5HVBE
104600770

Drawing



A	109					Weight	
D	140					10	kg
Drawing	X						
H	211						
L	372						
PN	10						