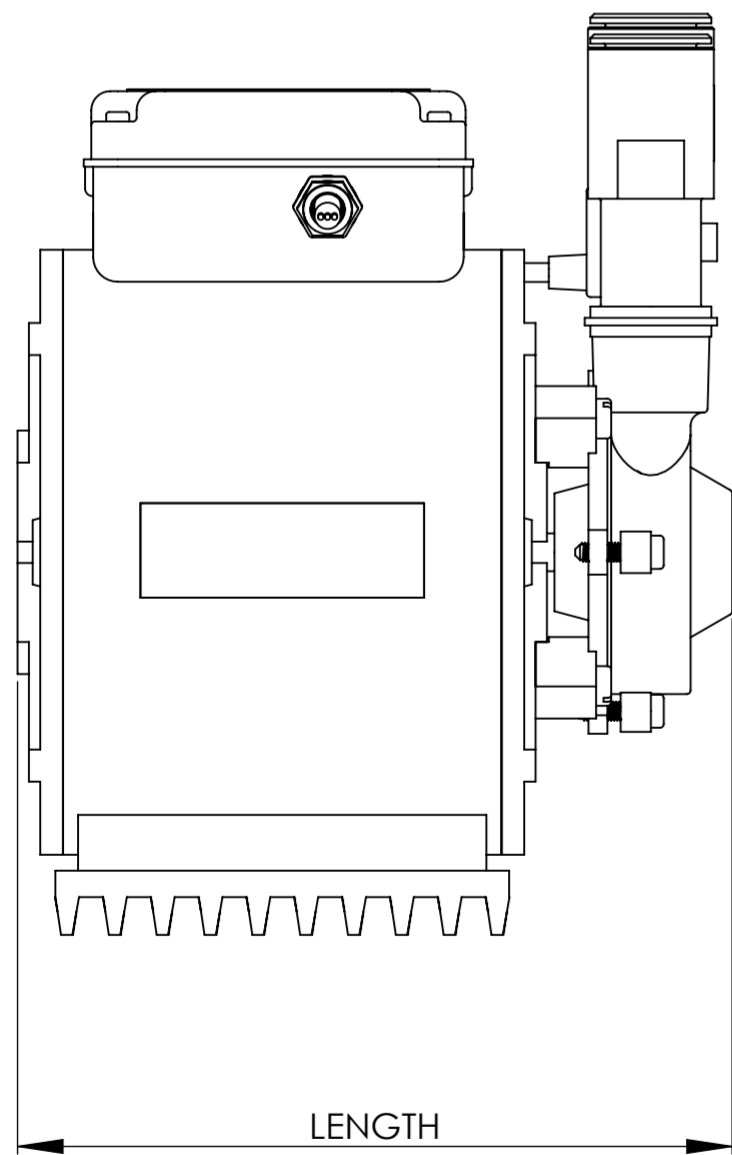
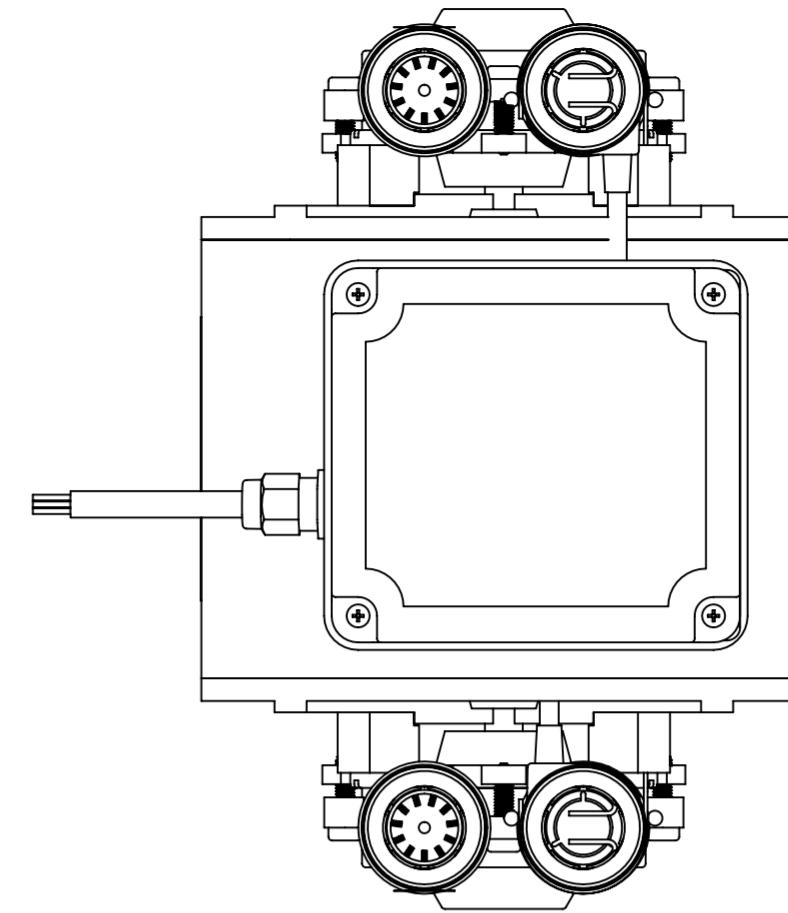
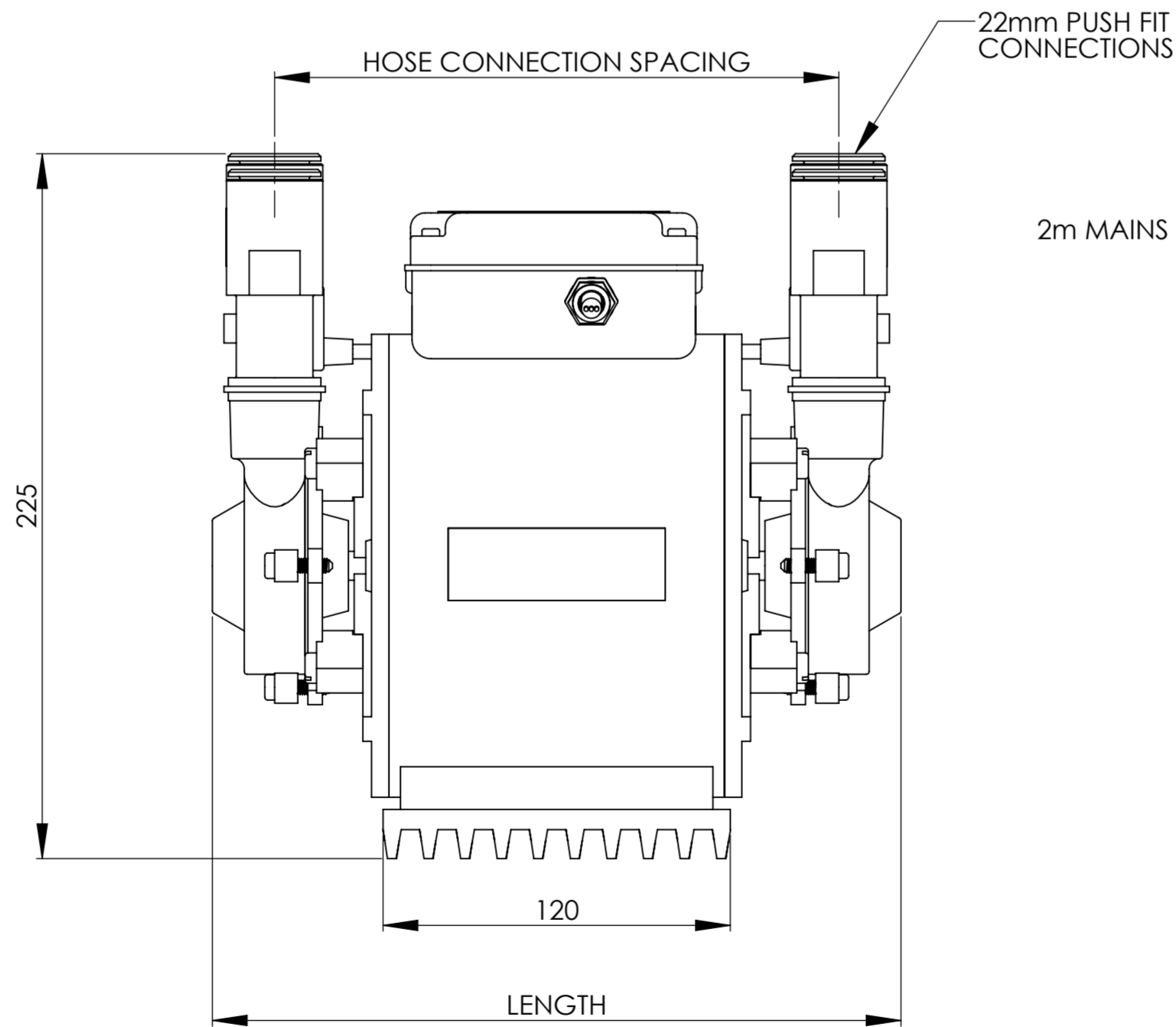


THIRD ANGLE PROJECTION

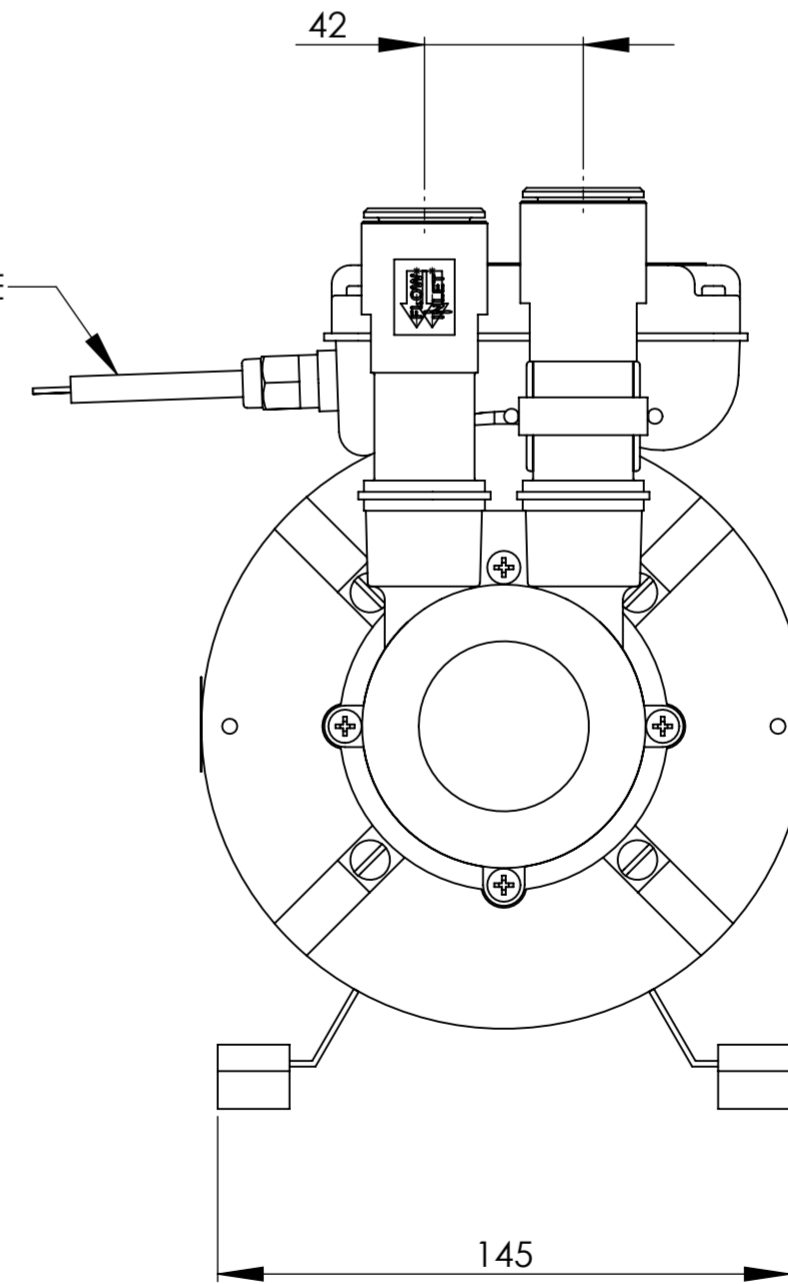
MODEL	LENGTH	HOSE CONNECTION SPACING
SSP-2.0 B	178	-
STP-2.0 B	243	201
SSP-3.0 B	178	-
STP-3.0 B	266	224
STP-4.0 B	296	254



**SINGLE IMPELLER PUMPS -
SSP-2.0 B
SSP-3.0 B**



**TWIN IMPELLER PUMPS -
STP-2.0 B
STP-3.0 B
STP-4.0 B**



02	MODEL STP-1.5 B DELETED - SEE DRAWING 9025	22.02.08	345
01	ORIGINAL ISSUE	12/12/07	
ISSUE	MODIFICATION	DATE	ECR No.

UNLESS OTHERWISE SPECIFIED: DIMENSIONS ARE IN MILLIMETERS SURFACE FINISH: TOLERANCES: LINEAR: X= ±0.3; 0.X ±0.2; 0.XX=±0.1 ANGULAR: ±0.5 DEG				DO NOT SCALE DRAWING	
DRAWN: R.P.		SIGNATURE:	DATE: 12/12/07	MATERIAL:	
CHK'D:		WEIGHT:		SCALE:	

WATERMILL A GRUNDFOS COMPANY

Gemini House, Enterprise Way,
Edenbridge. Kent. TN8 6HF.

TITLE: **BRASS PUMP - LINE DRAWING
- WITHOUT HOSES**

DWG NO. **9021**

SHEET 1 OF 1