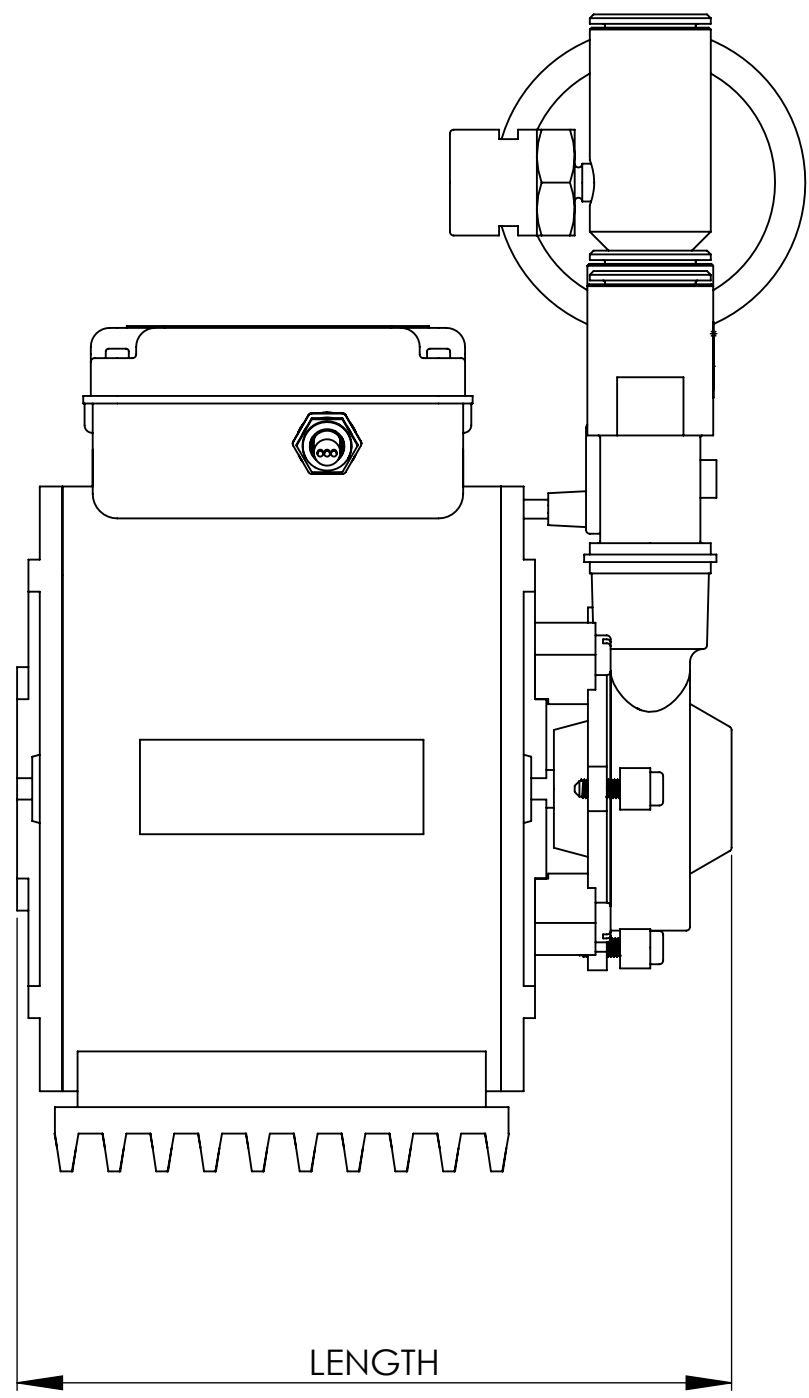
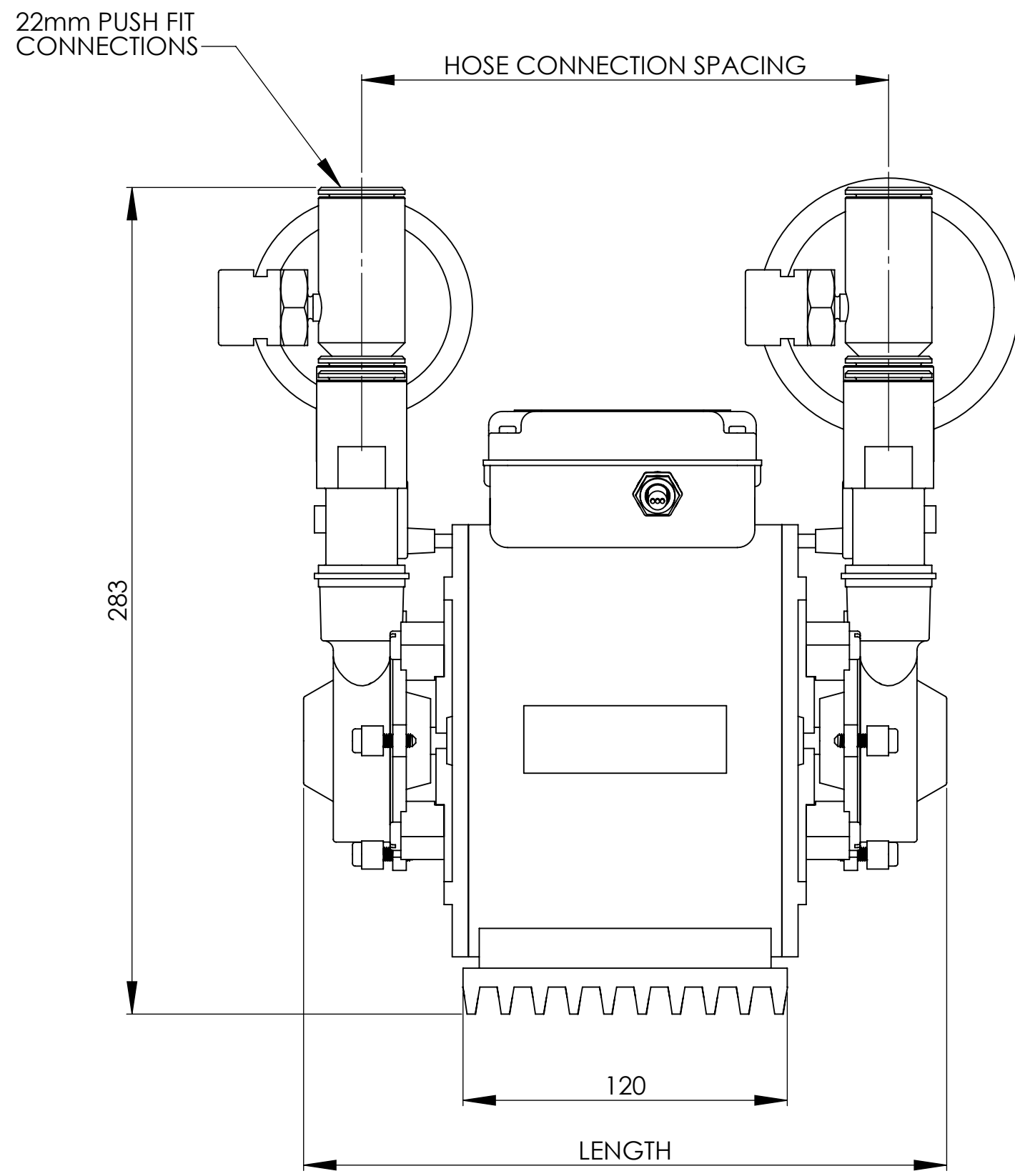


THIRD ANGLE PROJECTION

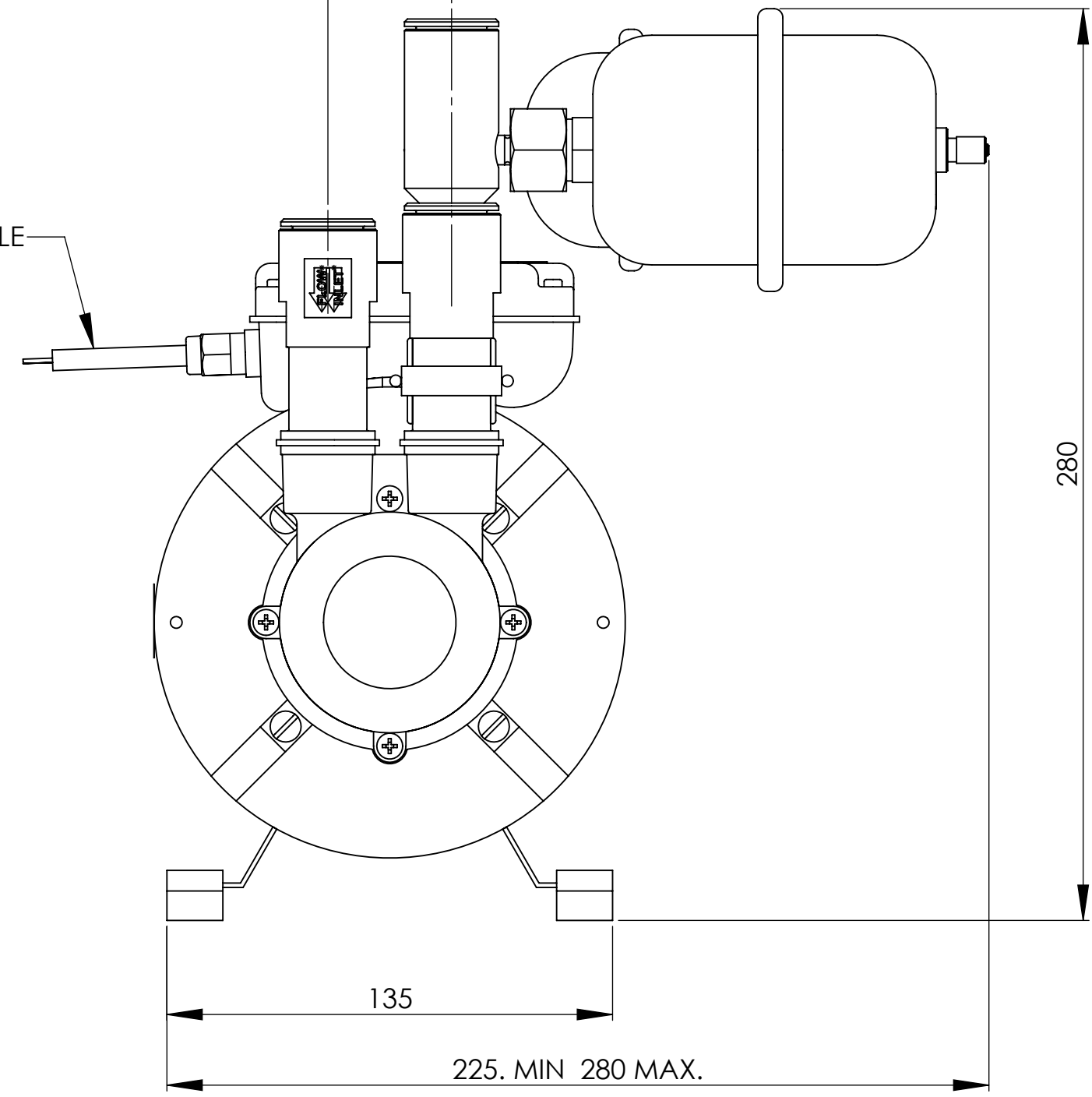
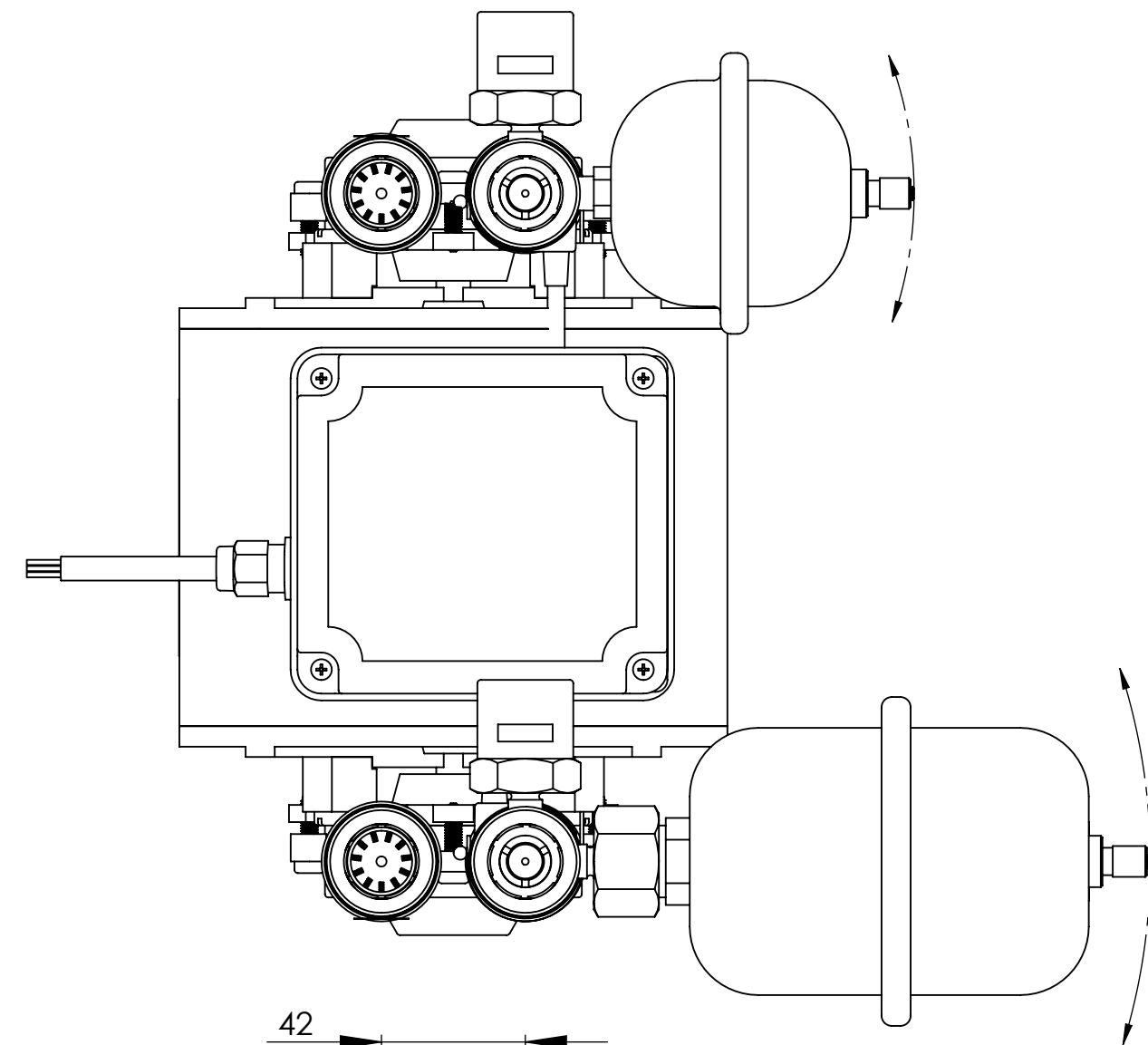
MODEL	LENGTH	HOSE CONNECTION SPACING
SSN-2.0 B	178	-
STN-2.0 B	243	201
SSN-3.0 B	178	-
STN-3.0 B	266	224
STN-4.0 B	296	254



**SINGLE IMPELLER PUMPS -
SSN-2.0 B
SSN-3.0 B**



**TWIN IMPELLER PUMPS -
STN-2.0 B
STN-3.0 B
STN-4.0 B**



02	MODEL STN-1.5 B DELETED - SEE DRAWING 9027	25.02.08	345
01	ORIGINAL ISSUE	12/12/07	
ISSUE	MODIFICATION	DATE	ECR No.

UNLESS OTHERWISE SPECIFIED: DIMENSIONS ARE IN MILLIMETERS SURFACE FINISH: TOLERANCES: LINEAR: X= ±0.3; 0.X ±0.2; 0.XX ±0.1 ANGULAR: ±0.5 DEG				DO NOT SCALE DRAWING		WATERMILL A GRUNDFOS COMPANY Gemini House, Enterprise Way, Edenbridge, Kent. TN8 6HF.	
DRAWN: R.P.		SIGNATURE:		DATE: 12/12/07		MATERIAL:	
CHK'D:		SIGNATURE:		DATE:		MATERIAL:	
TITLE: BRASS NEGATIVE HEAD PUMP - LINE DRAWING - WITHOUT HOSES				DWG NO. 9022		A2	
SCALE:				WEIGHT:		SHEET 1 OF 1	