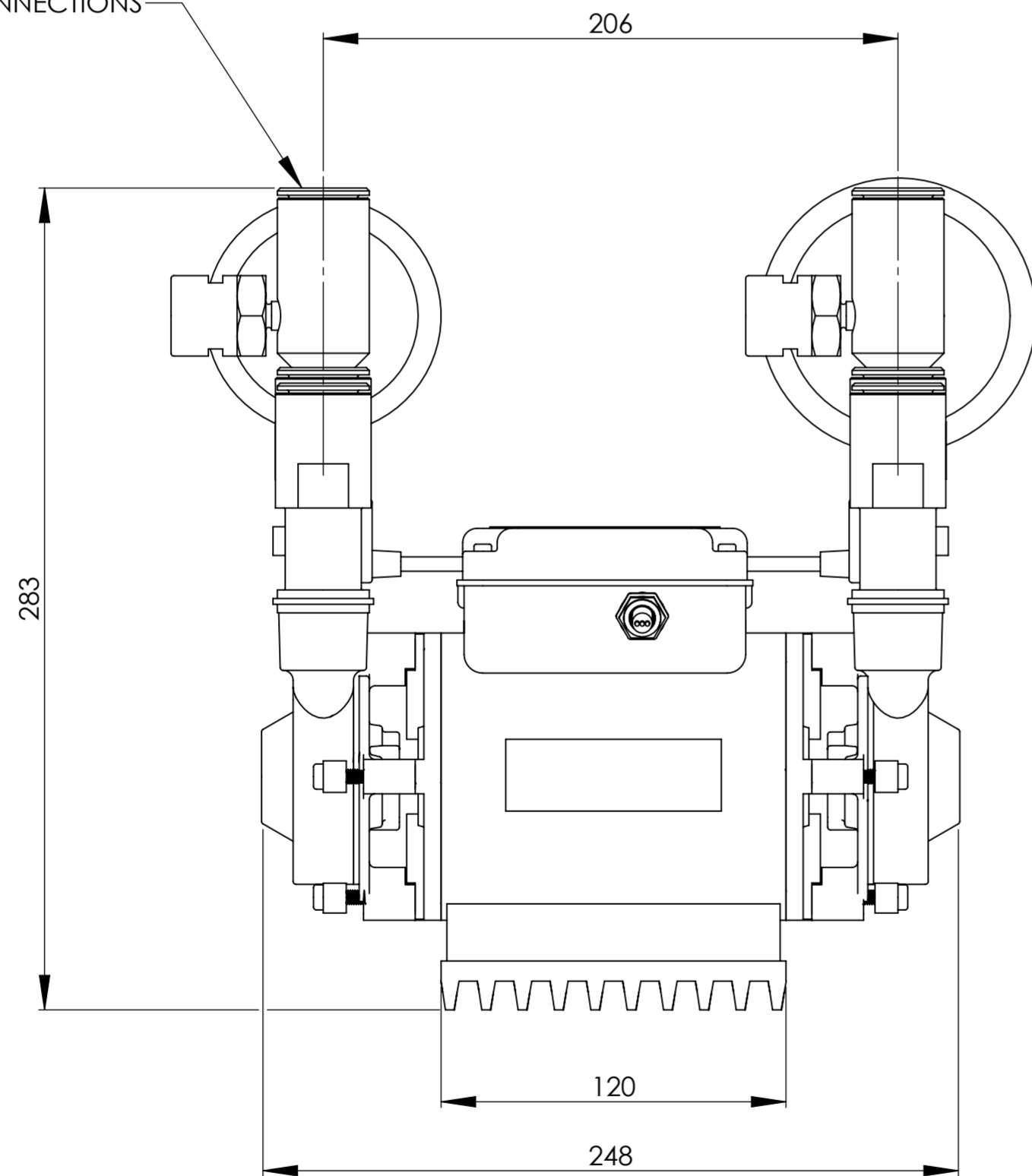
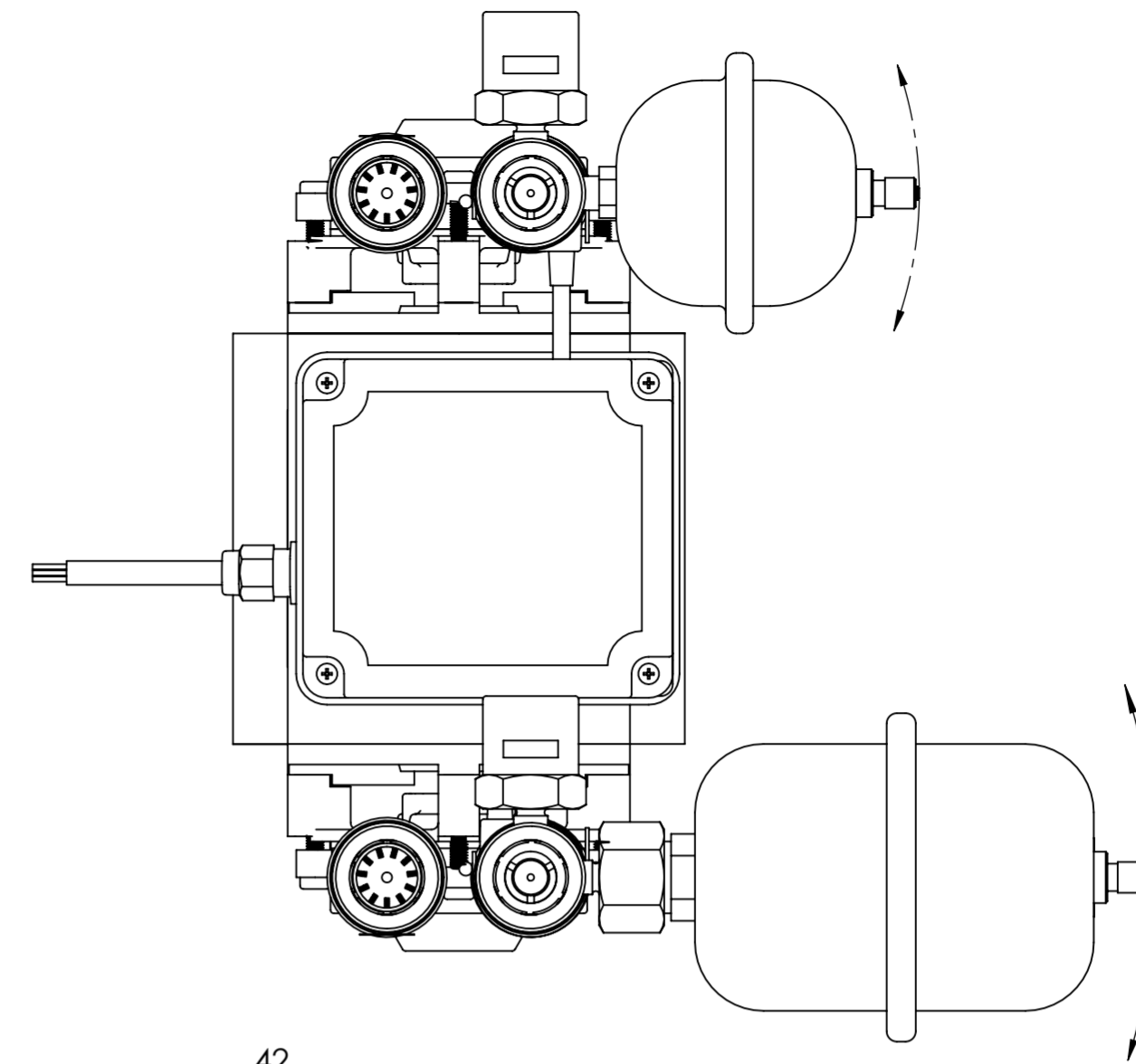


THIRD ANGLE PROJECTION

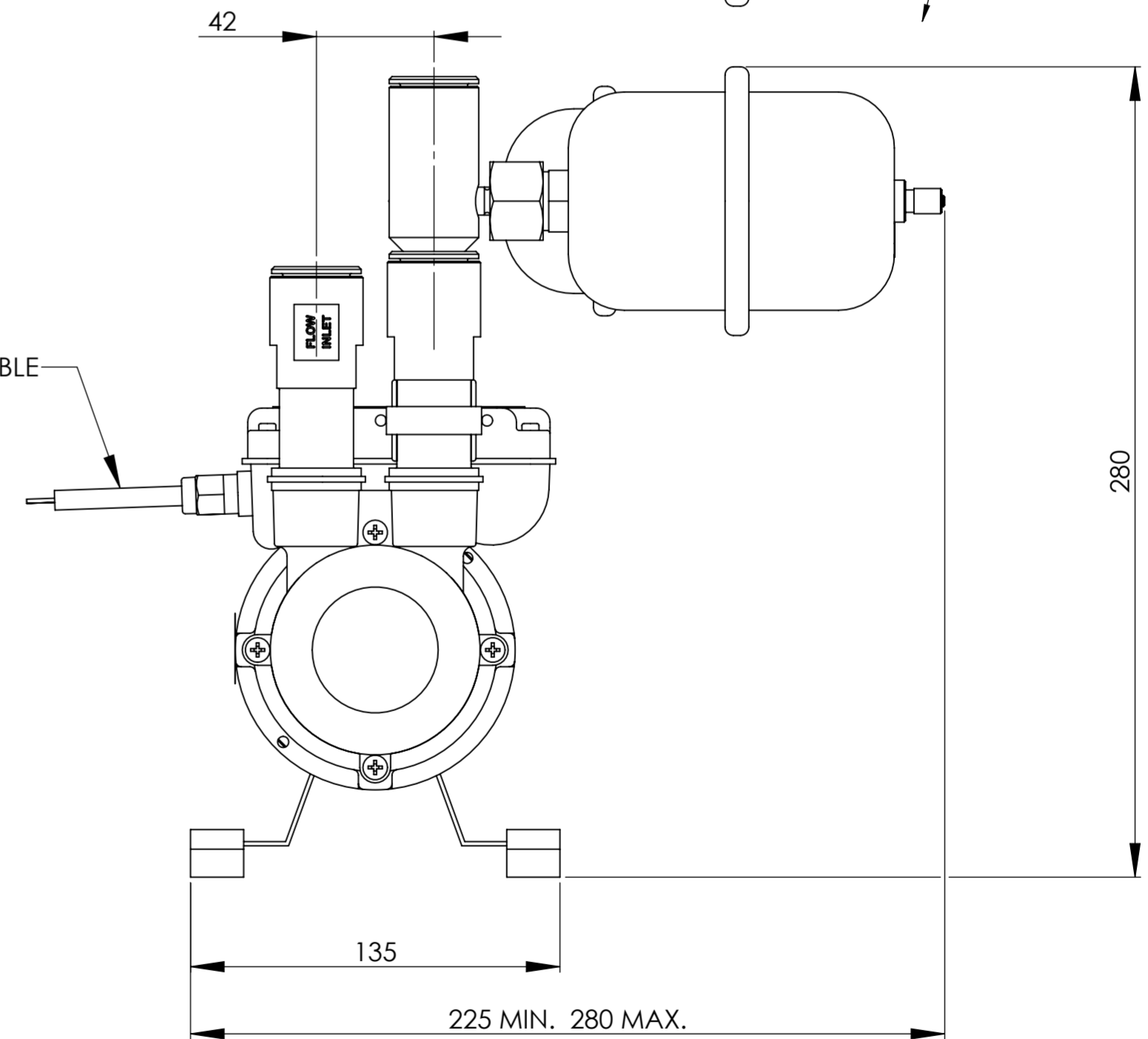
22mm PUSH FIT CONNECTIONS



TWIN IMPELLER PUMP - STN-1.5 B



2m MAINS CABLE



01	ORIGINAL ISSUE	22.02.08	
ISSUE	MODIFICATION	DATE	ECR No.

UNLESS OTHERWISE SPECIFIED: DIMENSIONS ARE IN MILLIMETERS SURFACE FINISH: TOLERANCES: LINEAR: X= ±0.3; 0.X ±0.2; 0.XX ±0.1 ANGULAR: ±0.5 DEG				DO NOT SCALE DRAWING	
NAME		SIGNATURE	DATE	MATERIAL:	
DRAWN: R.P.			22.02.08		
CHK'D:				WEIGHT:	

WATERMILL A GRUNDFOS COMPANY	
Gemini House, Enterprise Way, Edenbridge. Kent. TN8 6HF.	
TITLE: BRASS PUMP (ST GEORGES) NEGATIVE HEAD - LINE DRAWING - WITHOUT HOSES	
DWG NO.	9027
SCALE:	
SHEET 1 OF 1	