

Ama-Drainer[®] N – Submersible Motor Pump

Industry

Water

Waste Water

Energy

Building Services

Mining

Applications:

- Drainage of pits, shafts, yards and cellars subject to a flooding risk
- Extraction of water from rivers and reservoirs
- Drainage of underground passages
- Lowering the surface water level
- Drainage

Further information:

www.ksb.com/products

Your contact:

┌

┐

└

┘

Ama-Drainer® N – Submersible Motor Pump

1 Absolutely tight

Magnetic switch with adjustable, variable level control and anti-overwinding device. Straightforward adaptation to external control system with locking disc.

2 Easy to replace

Cable with plug-type connector

3 No drainage of the discharge pipe

Integrated swing check valve

4 Low space requirement

Vertical discharge nozzle allows installation in narrow sumps, for example.

5 Protected against overload

Integrated motor protection

6 High operating reliability

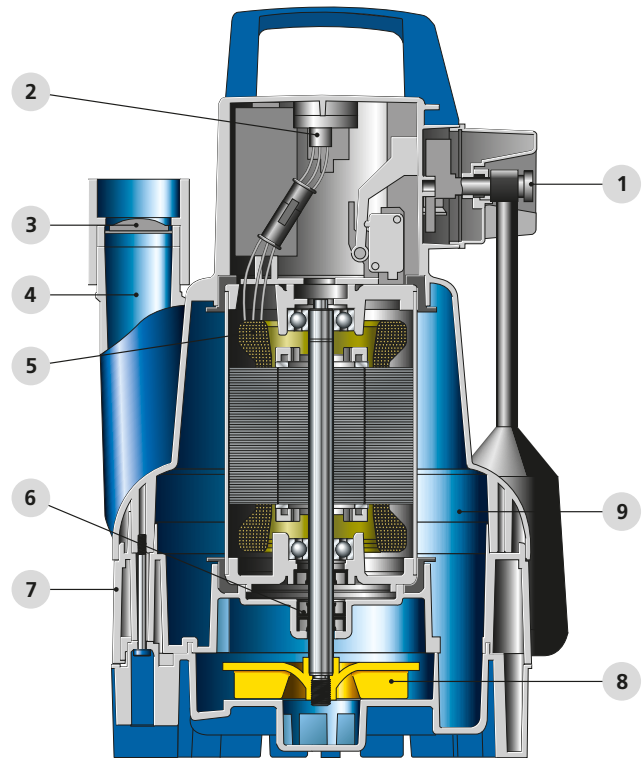
Triple shaft seal lubricated by the barrier fluid makes for high motor reliability. Lubrication of the seal faces in the event of dry running.

7 Long service life

Low-weight and corrosion-proof thanks to high-quality plastic casing. Noise-absorbing, abrasion-proof and impact-resistant.

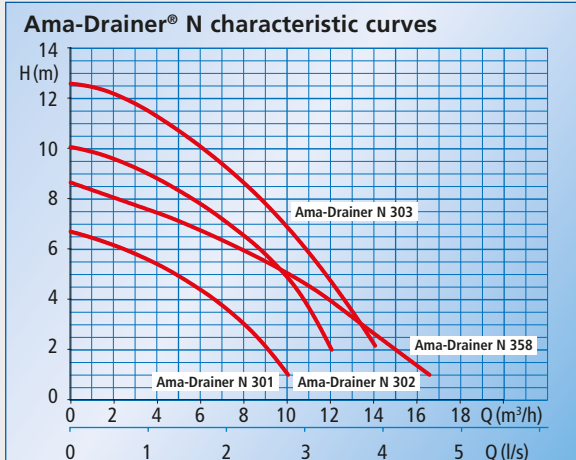
8 Economic operation

Optimised hydraulic systems and motors for large pump output at high efficiency.



9 Protected against overheating

Frame-cooled enclosed motor. Permits operation even when motor is not submerged.



Technical data

Flow rate	up to 16.5 m³/h (4.6 l/s)
Head	up to 12 m
Temperature	up to 50 °C
Free passage	up to 35 mm

Also available with LevelControl Basic 2 automation option.



KSB Aktiengesellschaft
 Johann-Klein-Straße 9
 67225 Frankenthal (Germany)
 www.ksb.com